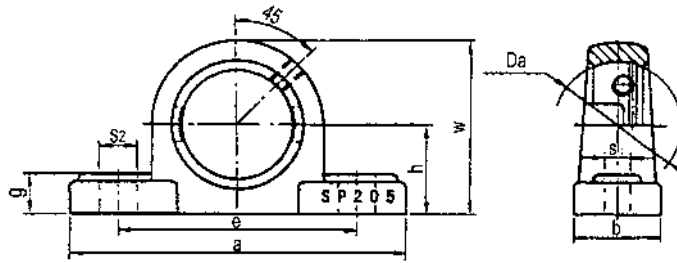


SOPORTES INOXIDABLES / STAINLESS STEEL PILLOW BLOCKS

PALIER INOXIDABLES / ROSTFREIE HALTERUNGEN

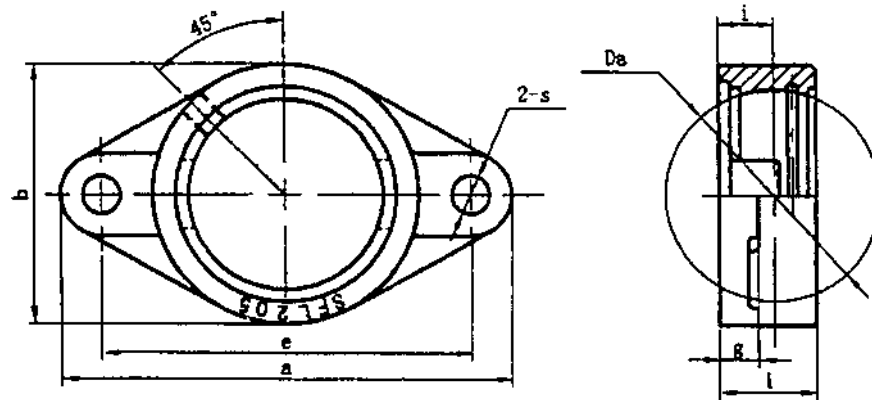
SSP200



Soportes Housings Sitzes Lagerungen No.	Dimensiones Dimensions Dimension Dimension (mm)									Rodamiento Bearing Unit Roulement Kugellager No.	Peso Weight Poids Gewicht (kg)
	Da	h	a	e	b	S1	S2	g	W		
SSP204	47	33.3	126	95	38	11	17.5	15.1	65.1	SSUC204	0.69
SSP205	52	36.5	140	105	38	12.5	17.5	16	70	SSUC205	0.74
SSP206	62	42.9	165	121	48	14.3	21	18	83	SSUC206	1.29
SSP207	72	47.6	167	127	48	14.3	22	19	94	SSUC207	1.42
SSP208	80	49.2	184	136.5	54	14.3	22	19	100	SSUC208	1.82
SSP209	85	54	190	146	54	15	21	20	109	SSUC209	2.09
SSP210	90	57.2	206	159	60	18	24	22	114	SSUC210	2.38
SSP211	100	63.5	219	171	60	20	23	23	125	SSUC211	3.14
SSP212	110	69.8	241	184	70	20	23	25	138	SSUC212	3.38

Calidad: AISI 304
Quality: AISI 304
Qualité: AISI 304
Qualität: AISI 304

SOPORTES INOXIDABLES / STAINLESS STEEL PILLOW BLOCKS
PALIER INOXIDABLES / ROSTFREIE HALTERUNGEN
SSFL200



Soportes Housings Sièges Lagerungen No.	Dimensiones Dimensions Dimensions Dimension (mm)								Rodamiento Bearing Unit Roulement Kugellager No.	Peso Weight Poids Gewicht (kg)
	Da	a	e	i	b	s2	g	s		
SSFL204	47	112	89.7	15.1	60	25.4	11.5	12	SSUC204	0.317
SSFL205	52	125	98.8	15.9	68	27	13	12	SSUC205	0.44
SSFL206	62	141	116.7	17.9	80	30	13	12	SSUC206	0.58
SSFL207	72	155.5	130.2	19.1	90	33	14.3	13	SSUC207	0.74
SSFL208	80	171.5	143.7	21	100	36	14.3	13	SSUC208	0.99
SSFL209	85	179	148.4	21.8	108	38	14.3	15	SSUC209	1.16
SSFL210	90	189	157	21.8	115	39	15.1	15	SSUC210	1.36
SSFL211	100	224	184	25	130	43	18	19	SSUC211	1.6
SSFL212	110	250	202	29	140	48	18	23	SSUC212	2.18

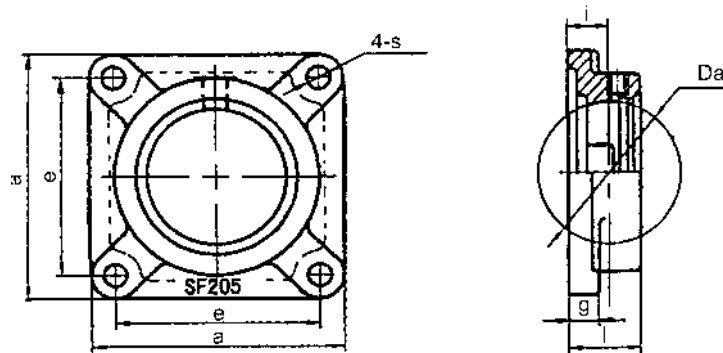
Calidad: AISI 304
 Quality: AISI 304
 Qualité: AISI 304
 Qualität: AISI 304

SOPORTES INOXIDABLES / STAINLESS STEEL PILLOW BLOCKS / PALIER INOXIDABLES / ROSTFREIE HALTERUNGEN

SOPORTES INOXIDABLES / STAINLESS STEEL PILLOW BLOCKS

PALIER INOXIDABLES / ROSTFREIE HALTERUNGEN

SSF200



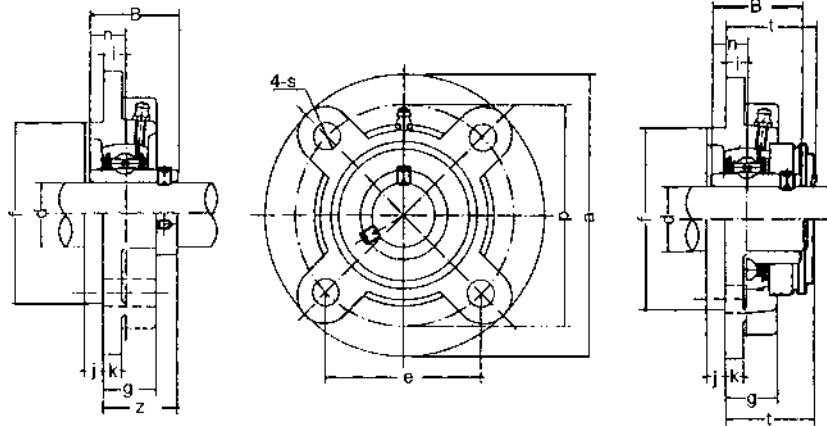
Soportes Housings Sâiages Lagerungen No.	Dimensiones Dimensions Dimensions Dimension (mm)							Rodamiento Bearing Unit Roulement Kugellager No.	Peso Weight Poids Gewicht (kg)
	Da	a	e	i	l	g	s		
SSF204	47	86	63.5	15.1	25.4	12	12	SSUC204	0.47
SSF205	52	95	70	15.9	27	14	12	SSUC205	0.65
SSF206	62	108	82.5	17.9	30	14	12	SSUC206	0.85
SSF207	72	117.5	92	19.1	33	14.3	14	SSUC207	1.03
SSF208	80	130	101.6	21	36	14.3	16	SSUC208	1.38
SSF209	85	137	104.8	21.8	38	14.3	16	SSUC209	1.50
SSF210	90	143	111	21.8	39	15.1	16	SSUC210	1.63
SSF211	100	162	130	25	43	20	19	SSUC211	2.14
SSF212	110	175	143	29	48	20	19	SSUC212	2.76

Calidad: AISI 304
Quality: AISI 304
Qualit : AISI 304
Qualit t: AISI 304

SOPORTES INOXIDABLES / STAINLESS STEEL PILLOW BLOCKS

PALIER INOXIDABLES / ROSTFREIE HALTERUNGEN

SSFC200



S(SM)-UCFC

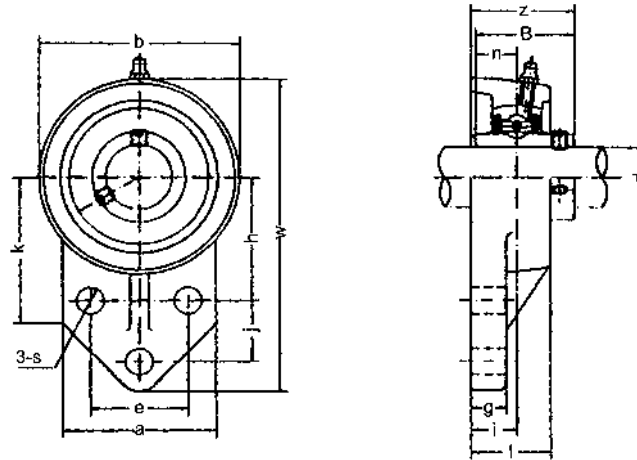
Soportes Housings Sièges Lagerungen No.	Dimensiones Dimensions Dimensions Dimension (mm)															Perno D Bolt D Boulon D Schraube D mm	Rodamiento Bearing Roulement Kugellager No.	Peso Weight Poids Gewicht (kg)
	d	a	p	e	i	s	j	k	g	f	z	t	B	h				
SSFC201	12	100	78	55.1	10	12	5	7	20.5	62	28.3	32.5	31	12.7	M10	SSUC201	0.73	
SSFC202	15	100	78	55.1	10	12	5	7	20.5	62	28.3	32.5	31	12.7	M10	SSUC202	0.72	
SSFC203	17	100	78	55.1	10	12	5	7	20.5	62	28.3	32.5	31	12.7	M10	SSUC203	0.71	
SSFC204	20	100	78	55.1	10	12	5	7	20.5	62	28.3	32.5	31	12.7	M10	SSUC204	0.69	
SSFC205	25	115	90	63.6	10	12	6	7	21	70	29.8	34	34.1	14.3	M10	SSUC205	1.00	
SSFC206	30	125	100	70.7	10	12	8	8	23	80	32.2	36.5	38.1	15.9	M10	SSUC206	1.30	
SSFC207	35	135	110	77.8	11	14	8	9	26	90	36.4	41	42.9	17.5	M12	SSUC207	1.81	
SSFC208	40	145	120	84.8	11	14	10	9	26	100	41.2	45.5	49.2	19	M12	SSUC208	2.14	
SSFC209	45	160	132	93.3	10	16	12	14	26	105	40.2	44.5	49.2	19	M14	SSUC209	2.68	
SSFC210	50	165	138	97.6	10	16	12	14	28	110	42.6	47.5	51.6	19	M14	SSUC210	2.90	
SSFC211	55	185	150	106.1	13	19	12	15	31	125	46.4	51	55.6	22.2	M16	SSUC211	4.01	
SSFC212	60	195	160	113.1	17	19	12	15	36	135	56.7	61.5	65.1	25.4	M16	SSUC212	4.94	

Calidad: AISI 304
Quality: AISI 304
Qualité: AISI 304
Qualität: AISI 304

SOPORTES INOXIDABLES / STAINLESS STEEL PILLOW BLOCKS

PALIER INOXIDABLES / ROSTFREIE HALTERUNGEN

SSFB200



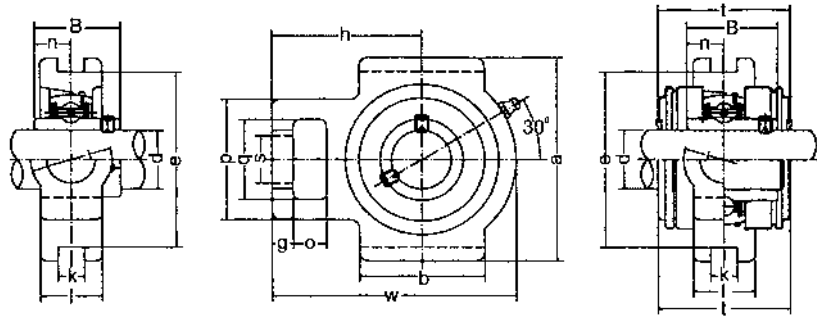
Soportes Housings Sâges Lagerungen No.	Dimensiones Dimensions Dimensions Dimension (mm)															Perno D Bolt D Boulon D Schraube D mm	Rodamiento Bearing Roulement Kugellager No.	Peso Weight Poids Gewicht (kg)
	d	w	b	k	a	l	s	g	h	j	e	l	z	B	n			
SSFB201	12	110	62	52	52	25.5	10	13	42	27	32	15	33.3	31	12.7	M8	SSUC201	0.58
SSFB202	15	110	62	52	52	25.5	10	13	42	27	32	15	33.3	31	12.7	M8	SSUC202	0.57
SSFB203	17	110	62	52	52	25.5	10	13	42	27	32	15	33.3	31	12.7	M8	SSUC203	0.56
SSFB204	20	110	62	52	52	25.5	10	13	42	27	32	15	33.3	31	12.7	M8	SSUC204	0.54
SSFB205	25	116	68	52	56	27	10	13	45	27	34	16	35.8	34.1	14.3	M8	SSUC205	0.79
SSFB206	30	130	78	55	65	31	10	13	50	29	40	18	40.2	38.1	15.9	M8	SSUC206	0.95
SSFB207	35	144	90	62	70	34	10	15	55	32	46	19	44.4	42.9	17.5	M8	SSUC207	1.29
SSFB208	40	164	100	72	78	36	12	16	60	41	50	21	51.2	49.2	19	M10	SSUC208	1.78
SSFB209	45	174	106	76	80	38	12	18	65	43	54	22	52.2	49.2	19	M10	SSUC209	1.91
SSFB210	50	184	112	82	86	40	12	18	68	46	58	22	54.6	51.6	19	M10	SSUC210	2.36
SSFB211	55	207	130	86	90	43	14	18	78	50	62	25	58.4	55.6	22.2	M12	SSUC211	3.15
SSFB212	60	223	140	90	94	48	14	18	84	55	66	29	68.7	65.1	25.4	M12	SSUC212	3.99

Calidad: AISI 304
Quality: AISI 304
Qualité: AISI 304
Qualität: AISI 304

SOPORTES INOXIDABLES / STAINLESS STEEL PILLOW BLOCKS

PALIER INOXIDABLES / ROSTFREIE HALTERUNGEN

SST200



S(SM)-UCT

Soportes Housings Sièges Lagerungen No.	Dimensiones Dimensions Dimensions Dimension (mm)																	Rodamiento Bearing Roulement Kugellager No.	Peso Weight Poids Gewicht (kg)
	d	o	g	p	q	s	b	k	e	a	w	j	l	h	t	B	n		
SST201	12	16	10	51	32	19	51	12	76	89	94	32	21	61	44.5	31	12.7	SSUC201	0.80
SST202	15	16	10	51	32	19	51	12	76	89	94	32	21	61	44.5	31	12.7	SSUC202	0.79
SST203	17	16	10	51	32	19	51	12	76	89	94	32	21	61	44.5	31	12.7	SSUC203	0.78
SST204	20	16	10	51	32	19	51	12	76	89	94	32	21	61	44.5	31	12.7	SSUC204	0.76
SST205	25	16	10	51	32	19	51	12	76	89	97	32	24	62	48	34.1	14.3	SSUC205	0.81
SST206	30	16	10	56	37	22	57	12	89	102	113	37	28	70	53	38.1	15.9	SSUC206	1.22
SST207	35	16	13	64	37	22	64	12	89	102	129	37	30	78	59.5	42.9	17.5	SSUC207	1.44
SST208	40	19	16	83	49	29	83	16	102	114	144	49	33	89	69	49.2	19	SSUC208	2.40
SST209	45	19	16	83	49	29	83	16	102	117	144	49	35	87	69	49.2	19	SSUC209	2.36
SST210	50	19	16	83	49	29	86	16	102	117	149	49	37	90	74.5	51.6	19	SSUC210	2.43
SST211	55	25	19	102	64	35	95	22	130	146	171	64	38	106	76	55.6	22.2	SSUC211	4.11
SST212	60	32	19	102	64	35	102	22	130	146	194	64	42	119	89	65.1	25.4	SSUC212	4.97

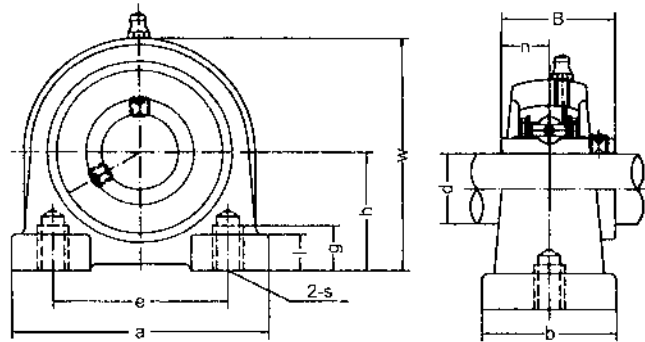
Calidad: AISI 304
Quality: AISI 304
Qualité: AISI 304
Qualität: AISI 304

SOPORTES INOXIDABLES / STAINLESS STEEL PILLOW BLOCKS / PALIER INOXIDABLES / ROSTFREIE HALTERUNGEN

SOPORTES INOXIDABLES / STAINLESS STEEL PILLOW BLOCKS

PALIER INOXIDABLES / ROSTFREIE HALTERUNGEN

SSPA200



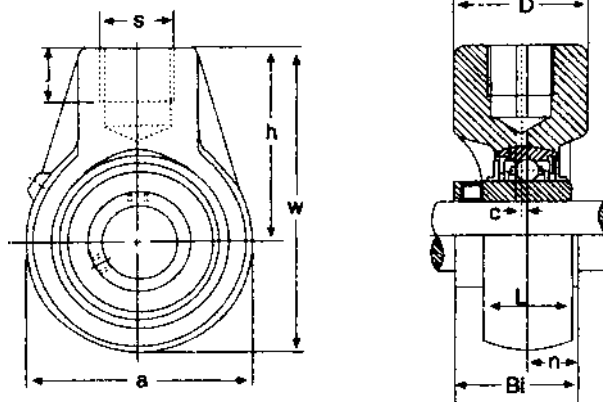
Soportes Housings Sitzes Lagerungen No.	Dimensiones Dimensions Dimensions Dimension (mm)											Perno D Bolt D Boulon D Schraube D mm	Rodamiento Bearing Roulement Kugellager No.	Peso Weight Poids Gewicht (kg)
	d	h	a	e	b	s	g	l	w	B	n			
SSPA201	12	30.2	76	52	38	M10	15	11	62	31	12.7	M10	SSUC201	0.6
SSPA202	15	30.2	76	52	38	M10	15	11	62	31	12.7	M10	SSUC202	0.59
SSPA203	17	30.2	76	52	38	M10	15	11	62	31	12.7	M10	SSUC203	0.58
SSPA204	20	30.2	76	52	38	M10	15	11	62	31	12.7	M10	SSUC204	0.56
SSPA205	25	36.5	84	56	38	M10	15	12	72	34.1	14.3	M10	SSUC205	0.83
SSPA206	30	42.9	94	66	48	M14	18	12	84	38.1	15.9	M14	SSUC206	1.12
SSPA207	35	47.6	110	80	48	M14	20	13	95	42.9	17.5	M14	SSUC207	1.48
SSPA208	40	49.2	116	84	54	M14	20	13	100	49.2	19	M14	SSUC208	1.89
SSPA209	45	54.2	120	90	54	M14	25	13	108	49.2	19	M14	SSUC209	1.98
SSPA210	50	57.2	130	94	60	M16	25	14	116	51.6	19	M16	SSUC210	2.16
SSPA211	55	63.5	140	104	66	M16	25	14	125	55.6	22.2	M16	SSUC211	3.26
SSPA212	60	69.9	150	114	68	M16	25	15	138	65.1	25.4	M16	SSUC212	4.19

Calidad: AISI 304
Quality: AISI 304
Qualité: AISI 304
Qualität: AISI 304

SOPORTES INOXIDABLES / STAINLESS STEEL PILLOW BLOCKS

PALIER INOXIDABLES / ROSTFREIE HALTERUNGEN

SSHA200



Rodamiento Bearing Roulement Kugellager No.	Diámetro del eje Shaft Diameter Diamètre du axe Achsendurchmesser (mm)	Dimensiones Dimensions Dimensions Dimension (mm)									
		a	w	h	D	S(in)	j	Bi	n	c	L
SSHA204	20	64	96	64	40	G3/4	19	31	12.7	0	21
SSHA205	25	70	103	64	40	G3/4	19	34	14.3	0	24
SSHA206	30	78	103	64	40	G3/4	19	38.1	15.9	0	28
SSHA207	35	92	116	70	40	G3/4	19	42.9	17.5	0	30
SSHA208	40	96	121	73	40	G3/4	19	49.2	19.0	2	33
SSHA209	45	108	136	82	48	G1	21	49.2	19.0	4	35
SSHA210	50	118	142	83	48	G1	21	51.6	19.0	5	37
SSHA211	55	126	150	87	60	G5/4	25	55.6	22.2	7	38
SSHA212	60	142	173	102	60	G5/4	28	65.1	25.4	9	42

Calidad: AISI 304
Quality: AISI 304
Qualité: AISI 304
Qualität: AISI 304