



Hydraulic accessories



SPIRAL HOSE GUARD

Spiral hose guard. Bulge type

Spiral hose guard is made of modified polypropylene with resistance to abrasion, ageing, acid and alkali and anti-ultra-violet. The product is widely used in public work machinery as loaders, excavators, pavers, forklifts, cranes, mining, forest and agricultural machinery.

The wrapping effect of the spiral hose guard is of protection of the hydraulic hoses from falling objects, exposure to sun and thus prevent severe accidents and extend the effective life of the hoses.

There is a choice of colors so that customer may decide which adapts better to the application. The color choice it helps to the driver of the equipment to better distinguish the potential dangers in operation, as for example in timber operations to avoid thick branches or in secluded spaces as in mines. The guard is also effective in softening the effect of an eventual burst of the hose or a leak.

The production process is by thermoplastic extrusion with no burrs, rounded edges to avoid injuries to the hands of the operator and to the hose.

Basic characteristics:

- 1 Outer surface, smooth no cracks and no burrs at the edges
- 2 Available in colors, black, red, yellow, blue and white
- 3 Temperature of plasticity 80°C

There are available two series according the surface of the guard, Bulge and Flat.



Bulge surface hose guard

REFERENCE	ID mm	OD mm	EDGE THICK	CENTER THICK	PITCH mm	RECOMMENDED
			mm	mm		hose use. OD mm
TLBS-8	8	9,40	0,4	1,20	8	8-12
TLBS-10	10	13,00	0,4	1,30	10	10-14
TLBS-12	12	15,00	0,5	1,50	12	12-16
TLBS-14	14	17,00	0,5	1,50	14	14-18
TLBS-16	16	20,00	0,5	2,00	16	16-20
TLBS-18	18	22,00	0,5	2,00	18	18-22
TLBS-20	20	25,00	0,5	2,50	18	20-25
TLBS-22	22	27,00	0,5	2,50	18	22-27
TLBS-25	25	30,00	0,7	2,50	23	25-30
TLBS-28	28	34,00	0,7	3,00	24	28-32
TLBS-30	30	36,00	0,7	3,00	25	30-35
TLBS-32	32	38,00	1	3,00	25	32-38
TLBS-35	35	42,00	1	3,50	25	35-40
TLBS-38	38	45,00	1	3,50	28	38-43
TLBS-42	42	49,00	1	3,50	28	42-50
TLBS-45	45	52,00	1	3,50	28	45-60
TLBS-50	50	57,40	1,5	4,00	35	50-70
TLBS-60	60	68,00	2	4,00	38	60-80
TLBS-74	74	82,00	2	4,50	47	74-90
TLBS-80	80	89,00	2	4,50	50	80-100
TLBS-88	88	97,00	2	4,50	53	88-110
TLBS-100	100	110,00	2,5	5,00	58	100-140
TLBS-130	130	140,00	2,5	5,00	58	130-180
TLBS-150	150	162,00	3	6,00	69	150-210
TLBS-200	200	214,00	3,5	7,00	100	200-300

Tolerance ID + 0,5 mm, Wall + 0,25

Delivered in rolls of 2, 10 or 50 meter-rolls. Other roll's length can be custom made.

Colors available, Black,Blue ,Red,Yellow, White. Other colors can be custom made.

Spiral hose guard. Flat type



Flat surface hose guard

REFERENCE	ID mm	OD mm	THICKNESS	PITCH	RECOMMENDED
			mm	mm	hose use. OD mm
TLFS-8	8	9,40	1,20	8	8-12
TLFS-10	10	13,00	1,30	10	10-14
TLFS-12	12	15,00	1,50	12	12-16
TLFS-14	14	17,00	1,50	14	14-18
TLFS-16	16	20,00	2,00	16	16-20
TLFS-18	18	22,00	2,00	18	18-22
TLFS-20	20	25,00	2,50	18	20-25
TLFS-22	22	27,00	2,50	18	22-27
TLFS-25	25	30,00	2,50	23	25-30
TLFS-28	28	34,00	3,00	24	28-32
TLFS-30	30	36,00	3,00	25	30-35
TLFS-32	32	38,00	3,00	25	32-38
TLFS-35	35	42,00	3,50	25	35-40
TLFS-38	38	45,00	3,50	28	38-43
TLFS-42	42	49,00	3,50	28	42-50
TLFS-45	45	52,00	3,50	28	45-60
TLFS-50	50	57,40	4,00	35	50-70
TLFS-60	60	68,00	4,00	38	60-80
TLFS-74	74	82,00	4,50	47	74-90
TLFS-80	80	89,00	4,50	50	80-100
TLFS-88	88	97,00	4,50	53	88-110
TLFS-100	100	110,00	5,00	58	100-140
TLFS-130	130	140,00	5,00	58	130-180
TLFS-150	150	162,00	6,00	69	150-210
TLFS-200	200	214,00	7,00	100	200-300

Tolerance ID +- 0,5 mm, Wall +- 0,25

Delivered in rolls of 2, 10 or 50 meter-rolls. Other roll's length can be custom made.
Colors available, Black,Blue ,Red,Yellow, White. Other colors can be custom made.

HYDRAULIC TUBE CLAMPS BASIC

Three series of tube clamps according DIN 3015 Standard are available, Light duty, Heavy duty and Twin series combining each series with

eight different materials and the mechanic finishing of the inside of the clamp body.

Clamp body materials, inside and working temperature range (Wt)

- A1** Polypropylene. Grooved inside. Wt -30°C -90°C
- A2** Polypropylene. Smooth inside. Wt -30°C -90°C
- B1** Polyamide. Grooved inside. Wt -40°C -120°C
- B2** Polyamide. Smooth inside. Wt -40°C 120°C

- C** Aluminum. Grooved inside. Wt -50°C -300°C
- D** Polyoxymethylene. Grooved inside. Wt -80°C -300°C
- E** Steel. Grooved inside. Wt -80°C -300°C
- F** Stainless steel. Grooved inside. Wt -80°C -300°C

Colours available

Polypropylene: Dark green
Polyamide: Black

We may supply according customer's request, colours red & blue with a minimum quantity of 1000 units.

Light duty

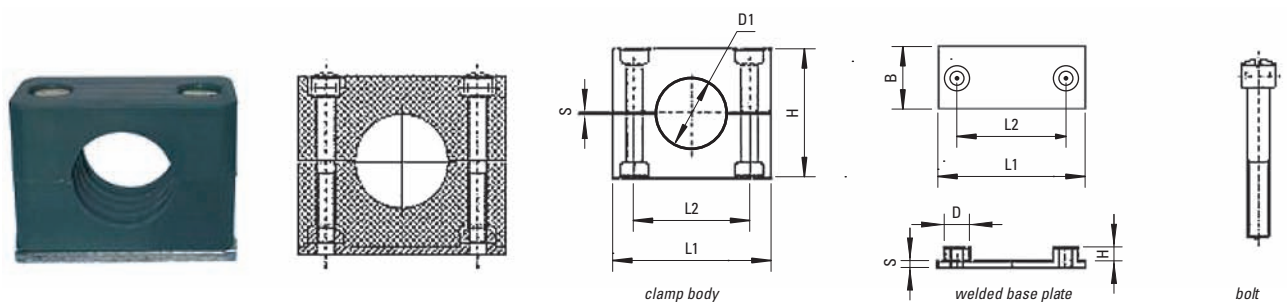
This series is available in thirteen versions combining the base plate, the upper plate and the fixing bolts of the clamp body.

Available for OD tube diameters of 6 to 102 mm:

- TL-LG1** Groove bolts. Clamp body. Welded base plate
- TL-LG2** Hex socket bolt. Clamp body. Welded base plate
- TL-LG3** Hex head bolt. Cover plate. Clamp body. Welded base plate
- TL-LG4** Groove bolts. Clamp body. Long welded base plate
- TL-LG5** Hex socket bolt. Clamp body. Long welded base plate
- TL-LG6** Hex head bolt. Cover plate. Clamp body. Long welded base plate

- TL-LG7** Groove bolts. Clamp body. Rail nuts
- TL-LG8** Hex socket bolts. Clamp body. Rail nuts
- TL-LG9** Hex head bolts. Cover plate. Clamp body. Rail nuts
- TL-G10** Grooved bolts. Clamp body
- TL-G11** Hex socket bolts. Clamp body
- TL-G12** Hex head bolt. Cover plate. Clamp body
- TL-LG13** Stacking bolts*. Safety locking plates. Clamp body

* Stackable up to three levels



- 1** Polypropylene grooved inside light pipe clamp =LPG1
- 2** Polypropylene smooth inside light pipe clamp =LPS1
- 3** Polyamide grooved inside light pipe clamp =LNG1
- 4** Polyamide smooth inside light pipe clamp =LNS1

- 5** Aluminium gooved inside light pipe clamp =LLG1
- 6** POM grooved inside light pipe clamp =LSG1
- 7** Steel gooved inside light pipe clamp =LGG1
- 8** Stainless steel grooved inside light pipe clamp =LBG1



REFERENCE	OD	CLAMP			BASE					BOLT
		length	height	width	length	width	thick	height	socket	
TL-LG1	6,000	37	27	30	37	30	3	6,5	12	M6x20
TL-LG1	6,400	37	27	30	37	30	3	6,5	12	M6x20
TL-LG1	8,000	37	27	30	37	30	3	6,5	12	M6x20
TL-LG1	9,500	37	27	30	37	30	3	6,5	12	M6x20
TL-LG1	10,00	37	27	30	37	30	3	6,5	12	M6x20
TL-LG1	12,00	37	27	30	37	30	3	6,5	12	M6x20
TL-LG1	12,70	42	33	30	42	30	3	6,5	12	M6x20
TL-LG1	13,50	42	33	30	42	30	3	6,5	12	M6x20
TL-LG1	14,00	42	33	30	42	30	3	6,5	12	M6x25
TL-LG1	15,00	42	33	30	42	30	3	6,5	12	M6x25
TL-LG1	16,00	42	33	30	42	30	3	6,5	12	M6x25
TL-LG1	17,20	42	33	30	42	30	3	6,5	12	M6x25
TL-LG1	18,00	42	33	30	42	30	3	6,5	12	M6x25
TL-LG1	19,00	50	36	30	50	30	3	6,5	12	M6x30
TL-LG1	20,00	50	36	30	50	30	3	6,5	12	M6x30
TL-LG1	21,30	50	36	30	50	30	3	6,5	12	M6x30
TL-LG1	22,00	50	36	30	50	30	3	6,5	12	M6x30
TL-LG1	25,00	50	36	30	50	30	3	6,5	12	M6x30
TL-LG1	26,90	59	42	30	60	30	3	6,5	12	M6x35
TL-LG1	28,00	59	42	30	60	30	3	6,5	12	M6x35
TL-LG1	30,00	59	42	30	60	30	3	6,5	12	M6x35
TL-LG1	32,00	71	58	30	71	30	3	6,5	12	M6x50
TL-LG1	33,70	71	58	30	71	30	3	6,5	12	M6x50
TL-LG1	35,00	71	58	30	71	30	3	6,5	12	M6x50
TL-LG1	38,00	71	58	30	71	30	3	6,5	12	M6x50
TL-LG1	40,00	71	58	30	71	30	3	6,5	12	M6x50
TL-LG1	42,00	71	58	30	71	30	3	6,5	12	M6x50
TL-LG1	44,50	86	66	30	88	30	3	6,5	12	M6x60
TL-LG1	48,30	86	66	30	88	30	3	6,5	12	M6x60
TL-LG1	50,80	86	66	30	88	30	3	6,5	12	M6x60
TL-LG1	57,20	121	93	30	122	30	5	6,5	12	M6x85
TL-LG1	60,30	121	93	30	122	30	5	6,5	12	M6x85
TL-LG1	63,50	121	93	30	122	30	5	6,5	12	M6x85
TL-LG1	70,00	121	93	30	122	30	5	6,5	12	M6x85
TL-LG1	73,00	121	93	30	122	30	5	6,5	12	M6x85
TL-LG1	76,10	121	93	30	122	30	5	6,5	12	M6x85
TL-LG1	88,90	147	118	30	148	30	5	6,5	12	M6x110
TL-LG1	102,00	147	118	30	148	30	5	6,5	12	M6x110

All measures are expressed in mm

All measures are valid for rest of References: TL-LG2; TL-LG3; TL-LG4; TL-LG5; TL-LG6; TL-LG7; TL-LG8; TL-LG9; TL-LG10; TL-LG11; TL-LG12 & TL-LG13

Heavy duty

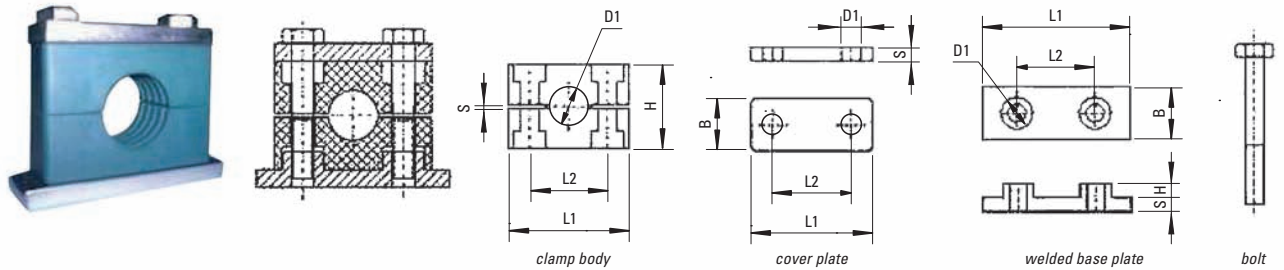
This series is available in eleven versions combining the base plate, the upper plate and the fixing bolts of the clamp body.

Available for OD tube diameters of 6 to 406 mm:

- TL-HG1** Hex head bolt. Cover plate. Clamp body. Welded base plate
- TL-HG2** Hex socket bolt. Cover plate. Clamp body. Welded base plate
- TL-HG3** Hex head bolt. Cover plate. Clamp body. Rail nut
- TL-HG4** Hex socket bolt. Cover plate. Clamp body. Rail nut
- TL-HG5** Stacking bolt*. Cover plate. Clamp body. Safety locking plate
- TL-HG6** Hex head bolt. Cover plate. Clamp body
- TL-HG7** Hex socket bolt. Cover plate. Clamp body
- TL-HG8** Hex head bolt. Cover plate. Long welded plate

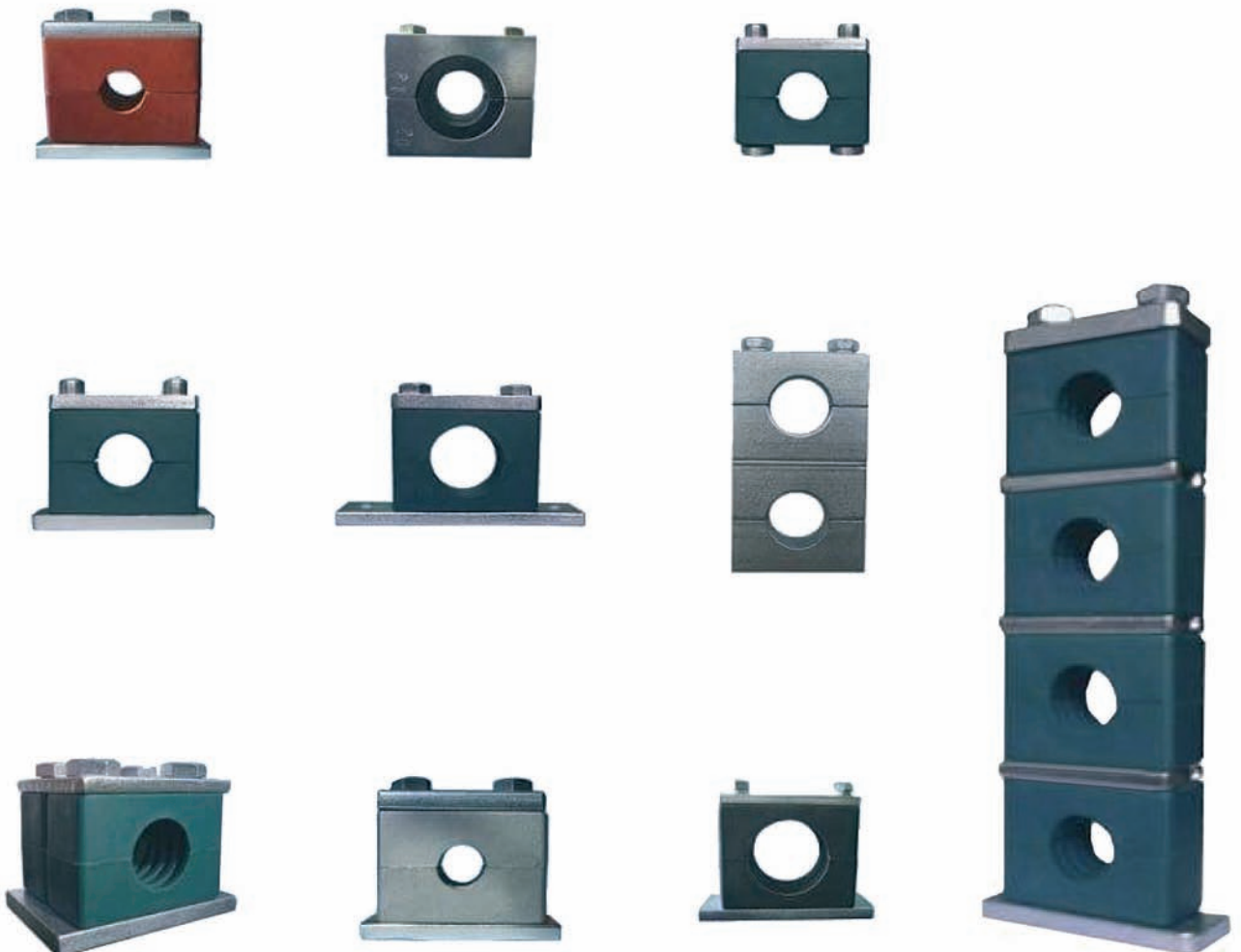
*Stackable up to five levels

- TL-HG9** Hex socket bolt. Cover plate. Clamp body. Long welded plate
- TL-HG10** Hex head/socket bolt. Twin cover plate. Twin clamp body. Twin plate
- TL-HG11** Hex head bolt. Over plate. Clamp body. Washer. Welded base plate
- TL-HG12** Hex head bolt. Cover plate. Clamp body. Welded base plate
- TL-HG13** Hex socket/head bolt. Cover plate. Clamp body. Welded base plate.



- 1** Polypropylene grooved inside heavy pipe clamp =HPG1
- 2** Polypropylene smooth inside heavy pipe clamp =HPS1
- 3** Polyamide grooved inside heavy pipe clamp =HNG1
- 4** Polyamide smooth inside heavy pipe clamp =HNS1

- 5** Aluminium grooved inside heavy pipe clamp =HLG1
- 6** POM grooved inside heavy pipe clamp =HSG1
- 7** Steel grooved inside heavy pipe clamp =HGG1
- 8** Stainless steel grooved inside heavy clamp =HBG1



REFERENCE	OD	CLAMP			CLAMP			
		length	height	width	OD	length	height	width
TL-HG1	6,000	55	32	30	60,3	115	89	45
TL-HG1	8,000	55	32	30	63,5	115	89	45
TL-HG1	9,500	55	32	30	65	115	89	45
TL-HG1	10,00	55	32	30	70	115	89	45
TL-HG1	12,70	55	32	30	70	150	120	60
TL-HG1	13,50	55	32	30	76,1	150	120	60
TL-HG1	14,00	55	32	30	80	150	120	60
TL-HG1	15,00	55	32	30	82,5	150	120	60
TL-HG1	16,00	55	32	30	88,9	150	120	60
TL-HG1	17,20	55	32	30	88,9	205	167	80
TL-HG1	18,00	55	32	30	100	205	167	80
TL-HG1	18,00	70	48	30	102	205	167	80
TL-HG1	19,00	70	48	30	108	205	167	80
TL-HG1	19,00	70	48	30	114	205	167	80
TL-HG1	21,30	70	48	30	127	205	167	80
TL-HG1	22,00	70	48	30	133	205	167	80
TL-HG1	25,00	70	48	30	133	250	200	90
TL-HG1	26,90	70	48	30	140	250	200	90
TL-HG1	28,00	70	48	30	152	250	200	90
TL-HG1	30,00	70	48	30	159	250	200	90
TL-HG1	30,00	85	60	30	165	250	200	90
TL-HG1	32,00	85	60	30	168	250	200	90
TL-HG1	33,70	85	60	30	168	336	270	120
TL-HG1	35,00	85	60	30	177,8	336	270	120
TL-HG1	38,00	85	60	30	193,7	336	270	120
TL-HG1	40,00	85	60	30	216	336	270	120
TL-HG1	42,00	85	60	30	219	336	270	120
TL-HG1	42,00	115	89	45	219	470	410	160
TL-HG1	44,50	115	89	45	273	470	410	160
TL-HG1	48,30	115	89	45	324	470	410	160
TL-HG1	50,80	115	89	45	356	630	534	530
TL-HG1	55,00	115	89	45	406	630	534	530
TL-HG1	57,00	115	89	45				

All measures are expressed in mm

All measures are valid for rest of References, TL-HG2; TL-HG3; TL-HG4; TL-HG5; TL-HG6; TL-HG7; TL-HG8; TL-HG9; TL-HG10; TL-HG11; TL-HG12 & TL-HG13

Twin series

This series is available in eleven versions combining the base plate, the upper plate and the fixing bolts of the clamp body.

Available for OD tube diameters of 6 to 42 mm

TL-TG1 Hex head bolt. Cover plate. Clamp body. Welded base plate

TL-TG2 Hex socket bolt. Cover plate. Clamp body. Welded base plate

TL-TG3 Hex head bolt. Cover plate. Clamp body. Rail nut

TL-TG4 Hex socket bolt. Cover plate. Clamp body. Rail nut

TL-TG5 Hex head bolt. Cover plate. Clamp body

TL-TG6 Stacking bolt*. Cover plate. Clamp body. Safety locking plate

* Stackable up to five levels

1 Polypropylene grooved inside heavy pipe clamp =HPG1

2 Polypropylene smooth inside heavy pipe clamp =HPS1

3 Polyamide grooved inside heavy pipe clamp =HNG1

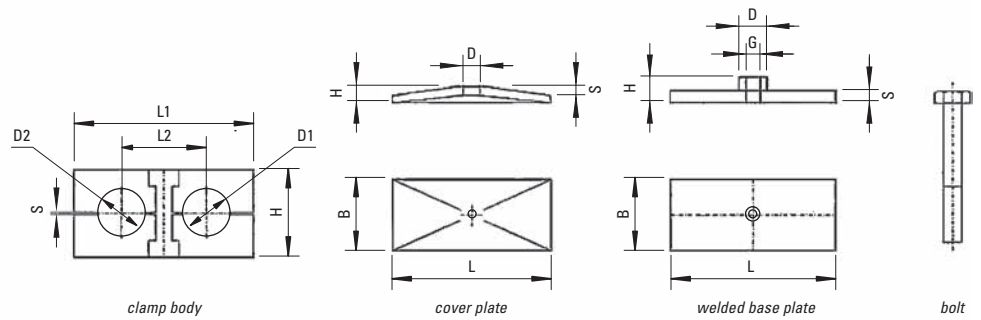
4 Polyamide smooth inside heavy pipe clamp =HNS1

5 Aluminium grooved inside heavy pipe clamp =HLG1

6 POM grooved inside heavy pipe clamp =HSG1

7 Steel grooved inside heavy pipe clamp =HGG1

8 Stainless steel grooved inside heavy clamp =HBG1



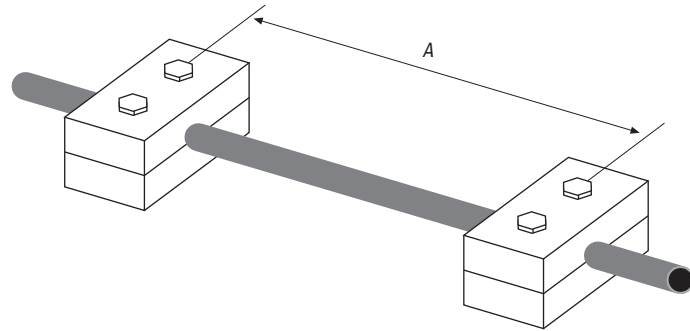
REFERENCE	OD	CLAMP			COVER			BASE			BOLT
		length	height	width	length	width	height	length	width	thick	
TL-TG1	6,000	36	27	30	36	30	7	37	30	3	M6x20
TL-TG1	6,400	36	27	30	36	30	7	37	30	3	M6x20
TL-TG1	8,000	36	27	30	36	30	7	37	30	3	M6x20
TL-TG1	9,500	36	27	30	36	30	7	37	30	3	M6x20
TL-TG1	10,00	36	27	30	36	30	7	37	30	3	M6x20
TL-TG1	12,00	53	27	30	53	30	7	55	30	5	M8x35
TL-TG1	12,70	53	27	30	53	30	7	55	30	5	M8x35
TL-TG1	13,50	53	27	30	53	30	7	55	30	5	M8x35
TL-TG1	14,00	53	27	30	53	30	7	55	30	5	M8x35
TL-TG1	15,00	53	27	30	53	30	7	55	30	5	M8x35
TL-TG1	16,00	53	27	30	53	30	7	55	30	5	M8x35
TL-TG1	17,20	53	27	30	53	30	7	55	30	5	M8x35
TL-TG1	18,00	53	27	30	53	30	7	55	30	5	M8x35
TL-TG1	19,00	67	37	30	67	30	7	70	30	5	M8x45
TL-TG1	20,00	67	37	30	67	30	7	70	30	5	M8x45
TL-TG1	21,30	67	37	30	67	30	7	70	30	5	M8x45
TL-TG1	22,00	67	37	30	67	30	7	70	30	5	M8x45
TL-TG1	25,00	67	37	30	67	30	7	70	30	5	M8x45
TL-TG1	26,90	80	40	30	80	30	7	85	30	5	M8x50
TL-TG1	28,00	80	40	30	80	30	7	85	30	5	M8x50
TL-TG1	30,00	80	40	30	80	30	7	85	30	5	M8x50
TL-LG5	32,00	106	53	30	106	30	7	110	30	5	M8x60
TL-LG5	33,70	106	53	30	106	30	7	110	30	5	M8x60
TL-LG5	35,00	106	53	30	106	30	7	110	30	5	M8x60
TL-LG5	38,00	106	53	30	106	30	7	110	30	5	M8x60
TL-LG5	40,00	106	53	30	106	30	7	110	30	5	M8x60
TL-LG5	42,00	106	53	30	106	30	7	110	30	5	M8x60

All measures are expressed in mm. All measures are valid for rest of References: TL-TG2; TL-TG3; TL-TG4; TL-TG5 & TL-TG6

Hints on applications

Recommended installation distance of tube clamps

OD (mm)	A (mm)
6 - 14	0,9
15 - 22	1,2
23 - 28	1,5
30 - 38	2
40 - 48,3	2,5
50 - 57	3
60,3 - 70	3,4
73 - 88,9	3,7
90 - 108	4
114 - 165,1	4,3
140 - 165,1	5
168,3 - 220	5,5



How to order

Reference

Series:

L= Light duty

H= Heavy duty

G= Twin

Materials:

A= Polypropylene

B= Polyamide

C= Aluminum

D= Polyoxymethylene

E= Steel

F= Stainless steel

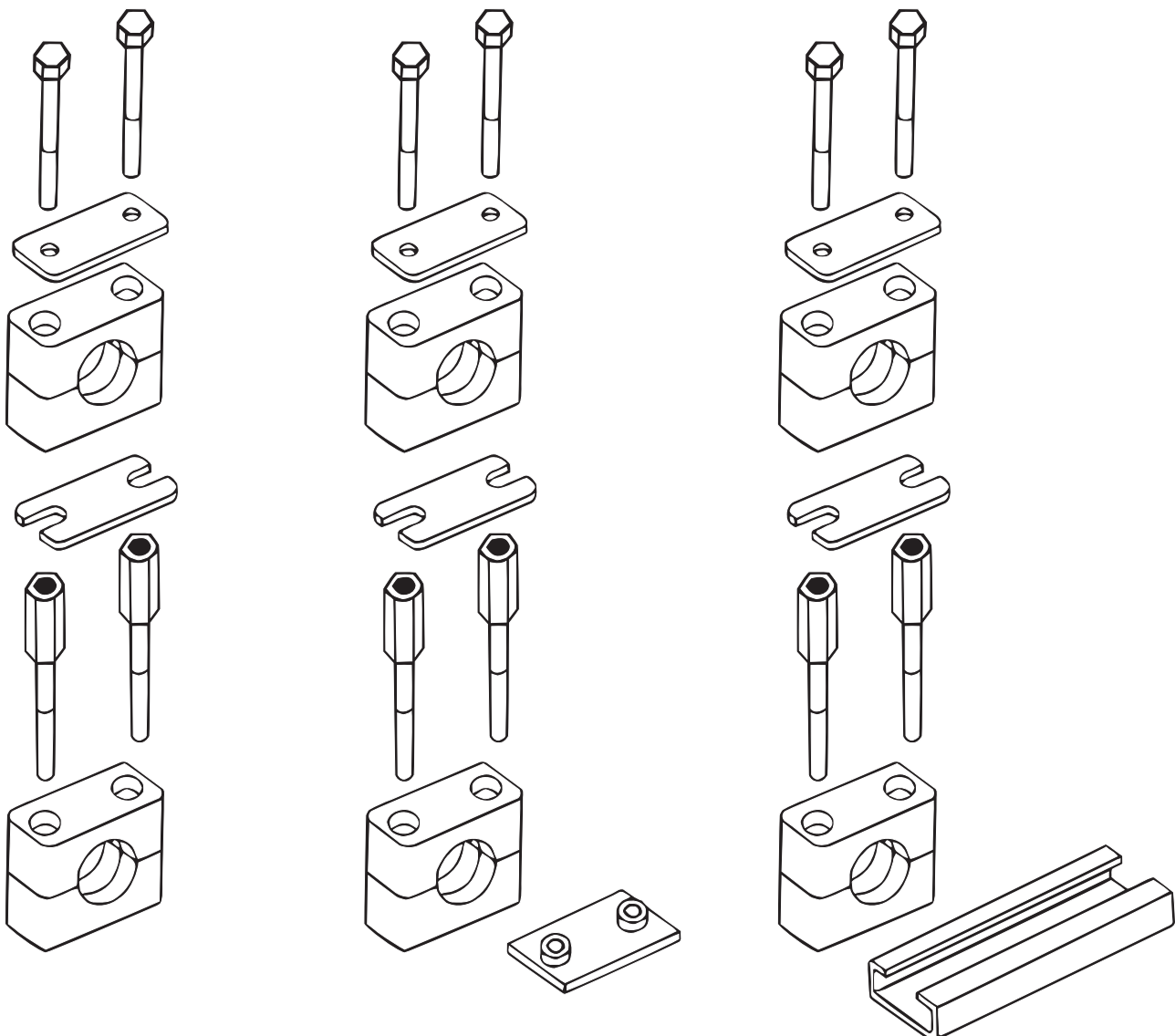
O.D.

Size level

Combination

G= Groove

S= Smooth



HOSE CLAMPS

- 1 T-Bolt hose clamp. TL-TB
- 2 T-Spring hose clamp. TL-TBS
- 3 Double bolt hose clamp. TL-DTB
- 4 Worm drive hose clamp. TL-WDG
 - 4.1 German type hose clamp. TL-WDG
- 5 Double wire hose clamp. TL-DW
- 6 V band hose clamp. TL-V
- 7 Other hose clamps

Clamps are available in the versions W1, W2, W3, W4 & W5:

- W1** All elements are made of galvanized steel
- W2** Band and housing of stainless steel AISI 403.
Bolt of galvanized steel
- W3** All elements are made of stainless steel AISI 403
- W4** All elements are made of stainless steel AISI 304
- W5** All elements are made of stainless steel AISI 316

1 & 2 T-Bolt hose clamp with and without spring

Reference TL-TB and TL-TBS and the size as given in the table.

Available in versions **W1**, **W2** and **W4**.

Hose clamps. T-bolt clamp

SIZE	BANDWIDTH	THICKNESS W1	THICKNESS W2/W4	BOLT	BREAK TORQUE
17-19	18	0,6	0,4	M5x40	5 mN
20-22	18	0,6	0,4	M5x40	5 mN
23-25	18	0,6	0,6	M5x40	5 mN
26-28	18	0,6	0,6	M5x40	5 mN
29-31	20	0,8	0,6	M6x50	15 mN
32-35	20	0,8	0,6	M6x50	15 mN
36-39	20	0,8	0,6	M6x50	15 mN
40-43	20	0,8	0,6	M6x50	15 mN
44-47	22	1,2	0,8	M6x60	15 mN
48-51	22	1,2	0,8	M6x60	15 mN
52-55	22	1,2	0,8	M6x60	15 mN
56-59	22	1,2	0,8	M6x60	15 mN
60-63	22	1,2	0,8	M8x70	25 mN
64-67	22	1,2	0,8	M8x70	25 mN
68-73	24	1,5	0,8	M8x70	25 mN
74-79	24	1,5	0,8	M8x70	25 mN
80-85	24	1,5	0,8	M8x75	25 mN
86-91	24	1,5	0,8	M8x75	25 mN
92-97	24	1,5	0,8	M8x75	25 mN
98-103	24	1,5	0,8	M8x80	25 mN
104-112	24	1,5	0,8	M8x80	25 mN
113-121	24	1,5	0,8	M8x80	25 mN
122-130	24	1,5	0,8	M8x80	25 mN
131-139	26	1,7	1	M10x105	40 mN
140-148	26	1,7	1	M10x105	40 mN
149-161	26	1,7	1	M10x105	40 mN
162-174	26	1,7	1	M10x105	40 mN
175-187	26	1,7	1	M10x120	40 mN
188-200	26	1,7	1	M10x120	40 mN
201-213	26	1,7	1	M10x120	40 mN
214-226	26	1,7	1	M10x120	40 mN
227-239	26	1,7	1	M10x120	40 mN
240-252	26	1,7	1	M10x120	40 mN



All sizes in mm. How to order: TL-DTB and size.

3 Double bolt hose clamp

Reference TL-DTB and the size as given in the table.

Hose clamps. Double bolt

SIZE	BANDWIDTH	THICKNESS	BOLT	BREAK TORQUE
30-40	20	1	M6x45	15 mN
35-45	20	1	M6x45	15 mN
40-50	20	1	M6x45	15 mN
45-55	20	1	M6x45	15 mN
50-60	20	1	M6x45	15 mN
55-65	20	1	M6x45	15 mN
60-70	20	1	M6x45	15 mN
65-75	20	1	M6x45	15 mN
70-80	20	1	M6x45	15 mN
75-85	20	1	M6x45	15 mN
80-90	24	1	M8x60	25 mN
85-95	24	1	M8x60	25 mN
90-100	24	1	M8x60	25 mN
95-105	24	1	M8x60	25 mN
100-110	24	1	M8x60	25 mN
105-115	24	1	M8x60	25 mN
110-120	24	1	M8x60	25 mN
120-130	24	1	M8x60	25 mN
125-135	24	1	M8x60	25 mN
130-140	24	1	M8x60	25 mN
135-145	24	1	M8x60	25 mN
140-150	24	1	M8x60	25 mN
150-160	24	1	M8x60	25 mN
155-165	24	1	M8x60	25 mN
160-170	24	1	M8x60	25 mN
170-180	24	1	M8x60	25 mN
180-190	24	1	M8x60	25 mN
190-200	24	1	M8x60	25 mN
200-210	24	1	M8x60	25 mN
210-220	24	1	M8x60	25 mN
220-230	24	1	M8x60	25 mN
230-240	24	1	M8x60	25 mN
240-250	24	1	M8x60	25 mN



All sizes in mm.
How to order: TL-DTB and size.

4 Worm drive hose clamps

Reference TL-WD and the size as given in the table.

Hose clamps. Screw worm drive

SIZE	BANDWIDTH	THICKNESS	BOLT	BREAK TORQUE
6-16	8	0,7	M6x16	2,5 mN
11-20	8	0,7	M6x16	2,5 mN
13-23	8	0,7	M6x16	2,5 mN
13-25	8	0,7	M6x16	2,5 mN
10-20	12,7	0,8	M8x30	8 mN
11-25	12,7	0,8	M8x30	8 mN
14-27	12,7	0,8	M8x30	8 mN
18-32	12,7	0,8	M8x30	8 mN
21-38	12,7	0,8	M8x30	8 mN
21-44	12,7	0,8	M8x30	8 mN
27-51	12,7	0,8	M8x30	8 mN
33-57	12,7	0,8	M8x30	8 mN
40-63	12,7	0,8	M8x30	10 mN
46-70	12,7	0,8	M8x30	10 mN
52-76	12,7	0,8	M8x30	10 mN
59-82	12,7	0,8	M8x30	10 mN
65-89	12,7	0,8	M8x30	10 mN
72-95	12,7	0,8	M8x30	10 mN
78-101	12,7	0,8	M8x30	10 mN
84-108	12,7	0,8	M8x30	10 mN
91-114	12,7	0,8	M8x30	10 mN
105-127	12,7	0,8	M8x30	10 mN
118-140	12,7	0,8	M8x30	10 mN
130-152	12,7	0,8	M8x30	10 mN
143-165	12,7	0,8	M8x30	10 mN
155-178	12,7	0,8	M8x30	10 mN

All sizes in mm.
How to order: TL-WD and size.



4.1 German type hose clamp

Reference TL-WDG.
Sizes: From 3/8" to 9"
Bandwidth: 9 mm
Made to size upon request



5 Double wire hose clamp

Reference TL-DW.

Hose clamp. Double wire

SIZE	WIRE DIA	BOLT
11-14	1,5	M5x30
13-16	1,5	M5x30
15-18	1,5	M5x30
17-20	1,8	M5x30
19-22	1,8	M5x30
20-24	1,8	M5x30
22-26	1,8	M5x30
24-28	1,8	M5x30
26-30	2,2	M6x40
28-32	2,2	M6x40
31-35	2,2	M6x40
34-38	2,2	M6x40
35-40	2,2	M6x40
37-42	2,2	M6x40
40-45	2,2	M6x40
43-48	2,2	M6x50
45-50	2,2	M6x50
47-52	2,2	M6x50
50-55	2,2	M6x50
53-58	2,2	M6x50
55-60	2,2	M6x60
54-62	2,2	M6x60
60-65	2,2	M6x60
63-68	2,2	M6x60
65-70	2,2	M6x70
70-75	2,2	M6x70
75-80	2,5	M6x70
80-85	2,5	M6x70
84-90	2,5	M8x70
89-95	2,5	M8x70
94-100	2,5	M8x80
98-105	2,5	M8x80
103-110	2,5	M8x80
108-115	2,5	M8x80
113-120	2,5	M8x80

All sizes in mm.
How to order: TL-DW and size.

Material:

W1: Steel plated.

W2: Screw is steel plated, others all are Stainless steel.

W4: Stainless steel.



6 V-band hose clamp

Reference TL-V.
Sizes: From 1 3/8" to 10"
Made to size upon request



7 Other hose clamps

Hose clamp with butterfly



Throbbing clamp



British type hose clamp



SS Germany hose clamp



Fixing clamp



DIN2817 Hose clamp





Bearings | **Hydraulics** | Power Transmission

www.translinkpt.com