

Chains



BASICS ON CHAINS

Chains are used in a wide variety of applications in industry and agriculture, to transmit mechanical power. Our program comprises Roller chains and chains other than Roller chains used basically to convey movement, power or load.

The largest share of our program is the Roller chain, a kind of chain composed of an outer and an inner plate, pin, bush, roller and a plate fixing element, namely cotter pin, spring clip, T pin or cotter hook.

The key elements of a Roller Chain as pitch, width, roller type, side plates and others are recollected in form of Standards.

The chain transmits the rotational power from an sprocket to tension power which in turn, converts it to rotational power into another sprocket thus the pair chain-sprocket share technical aspects which are associated to both. Along the catalog, appear comments relating the par.

ROLLER CHAIN STANDARDS

The standards ASME/ANSI are used in USA, while in Europe the standard used is the BS/DIN/ISO and the JIS in Japan. These standards have similarities but are not coincident thus a careful attention

on interchangeability must be taken .

These are the basic Standards used by major Roller Chains.

Standard

TYPE OF CHAIN	ANSI	ISO	JIS
Power Transmission Roller Chain	ANSI B 29.1M	ISO 606	JIS B 1801
Power Transmission Bushed Chain	ANSI B 29.1M	ISO 1395	JIS B 1801
Power Transmission Sprocket	ANSI B 29.1M	ISO 606	JIS B 1802
Heavy-Duty Chain	ANSI B 29.1M	ISO 3512	
Bicycle Chain		ISO 9633	JIS D 9417
Motorcycle Chain		ISO 10190	JCAS 1
Leaf Chain	ANSI B 29.8M	ISO 4347	JIS B 1804
Double Pitch Conveyor Chain & Sprocket	ANSI B 29.4	ISO 1275	JIS B 1803
Power Transmission Roller Chain with Attachment	ANSI B 29.5		JIS B 1801
Conveyor Chain	ANSI B 29.15	ISO 1977/1 @ 3	JCAS *2

* JCAS stands for Japanese Chain Association Standard.

ANSI Roller Chain Standards

They establish 14 sizes, coded in two and three digits, namely, 25, 35, 41, 40, 50, 60, 80, 100, 120, 140, 160, 180, 200 and 240 (*See at the Sprockets section the same correlated digit system to identify the sprocket-chain match*).

The first digit up to the 80 code or the first two thereafter, indicate the pitch of the chain expressed in eighths of an inch, thus a chain 40 corresponds to a 1/2" pitch roller chain and a 160 is a two inch-pitch roller chain.

The chain 41 is a lightweight chain while it has the same 1/2" pitch

than the 40, the rest of features are different as the roller width, the roller diameter, the plate height and thickness and tensile strength. The 41 chain fits to a 41 sprocket while the 40 it is too wide for the 41 sprocket.

The digit 5 on the right-hand of the chain reference corresponds to chains without rollers, that is, bushing chains.

A hyphenated number following the chain reference, indicates the number of strands and there may be complementary digits indicating special features of the material or finish.

ISO/BS/DIN Roller Chain Standards

They conform to the ISO 606 standard and are not interchangeable with the ANSI roller chain. Used in most European and African countries. The outer plates of an ISO roller chain are taken from the chain size one level above the application, what makes a heavier chain. The standard comprehends single, double and triple strands.

The nomenclature is composed of two digits indicating the pitch expressed in sixteenths of an inch followed by the digit B which indica-

ted the adherence to European standard.

The standard establishes the sizes 04B, 05B, 06B, 08B, 10B, 12B, 16B, 20B, 24B, 28B and 32B. A chain 10B indicates a metric roller chain of 5/8" pitch. A hyphen and a digit indicated the number of strands.

The power ratings of the ISO/BS/DIN chains are slightly lower than those of the equivalent ANSI chains.



ROLLER CHAIN TECHNICAL CONSIDERATIONS

We consider first the behaviour of the **Chain under stress**, the **Elements**

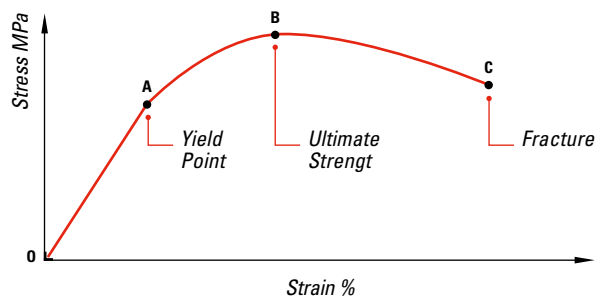
of the chain, Driving conditions and the **Manufacturing process**.

Chain under stress

Tensile strength

It is not to be confused with tensile stress which is the load applied to a chain divided by the resisting surface expressed in MPa while the tensile strength is the maximum force or load, which keeps the chain under tension, the chain can bear before it fails.

The tensile strength of a chain is reported with the recollection of data of stress measure in MPa and the strain or elongation, measures in percentage composing a stress-strain curve-graph where the different phases of the behaviour of the chain under stress are clearly appreciated.



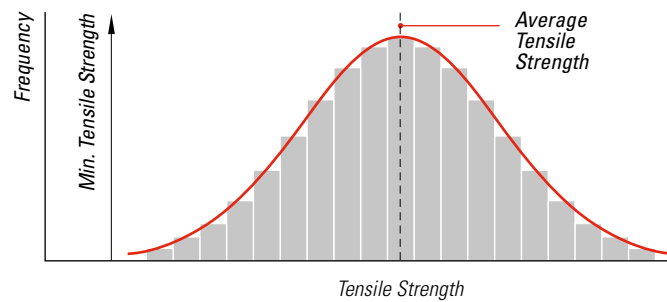
The phase starting at the point 0 to A is the proportional or elastic phase where the chain strain is reversible, that is, the deformation of the chain caused by the stress returns to the original undeformed state. This phase is also known where the proportional phase as the strain or elongation is proportional to the stress applied.

The point A, in the stress-strain named as the Yield point marks the limit of the elastic proportional phase and starts the plastic phase, A to B where the chain behaviour would experiment a strain which would not be reversible but permanent.

Tensile strength

With the increase of the stress and the strain, the point B, the Ultimate Tensile Strength represents the maximum stress that a material can bear before failure which occurs at the point C with its breakage.

The Minimum Tensile Strength is the minimum stress applied to a chain in which a chain may fail. This value is to be found and determined statistically from a pool of experimental data obtained by testing as the Average Tensile Strength, the center of the frequency graph displayed below.



With a chain, the maximum load it can bear without losing its capacity is far below the point A, around a 70% of the Ultimate Tensile Strength and in no circumstance a chain is to work a stress beyond point A as a permanent deformation would occur.

to is half of the Average Tensile Strength, beyond this point fatigue will result and ultimately the failure.

As a general practice the maximum stress a chain could be submitted

In the chain's data tables we disclose the Average Tensile Strength and the Minimum Tensile Strength.

Chain wear and elongation

Although chains may be used purely for pulling, most of the chains are used as driving chains by wrapping sprockets with the interaction of the chain roller and sprocket's teeth by producing the back tension in the chain.

In operation, there is an amount of friction between the bush and the pin which, although it may be minimized by lubrication, makes the pin to wear and thus elongating the chain and, at the end producing fatigue.

The stretch produced by wear provokes the chain to inch up the sprocket's teeth and ultimately jump the sprocket.

The regular and proper lubrication of the pin and bushing reduces the wear, though many other factors are concomitant as the adequacy and quality of the materials used in the construction of the chain, the manufacturing process, the treatments undertaken and assembly of the chain.

The effect of the lubrication on chain elongation is clearly reflected in the next graph, where the different curve locus reflect the behaviour of chain lubrication situations in terms of operating time and chain elongation.

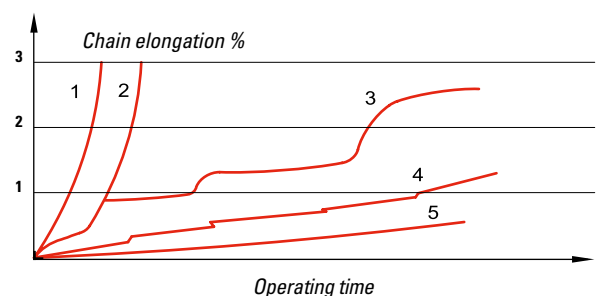
Locus 1: No lubrication. The chain wears out very fast

Locus 2: Initial lubrication only. The wear starts as soon as the initial lubrication has been used up

Locus 3: Not periodic lubrication. The chain wears after each interval lubricating interval. The lubrication frequency is not properly implemented.

Locus 4: Irregular chain wear due to incorrect lubrication

Locus 5: Correct lubrication. The wear follows a predictable pattern.



As a guide, it is considered that driving roller chains with a wear stretch further than 1,5 percent are out of use, or 2 percent stretch in conveyor chains given their lesser number of working teeth.

Chordal effect

Mentioned in the Sprockets, Chapter I page number 13 of this catalog, may affect to the smoothness of the drive. As the driving sprocket is usually the smallest of the pair it is recommended not to use sprockets under 12 teeth so to minimize the chordal effect created

by chain rise and fall as each pitch engages and disengages, submitting the chain to a speed pulsation. The use of bigger sprockets minimize this effect.

Elements of the chain

Pin

The pin is submitted to shear and bend transmitted from the plate. Together with the bushing contributes to bear the load and in consequence needs high tensile strength, shear strength, resistance to bending and a capacity to absorb irregular impact loads. These conform the material to be used, the manufacturing process, the surface finish as well as the treatment.

Bushing

As well as the pin, the forces acting on the bush are shearing and bending forces, transmitted from the roller and the plate and as well receives shock loads from the engagement of the sprocket.

The main forces to resist by the bush are the shearing, shock loads from the roller and wear, the outer surface from the roller and the inner surface from the pin.

Roller

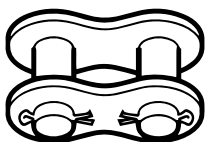
The roller suffers impact loads from the sprocket surface every time a tooth of the sprocket engages the chain plus the compression force acting from the sprocket surface. It rotates, thus there is a wear action between the roller and the bush, while at the same time creeps up to the tooth receiving a compression force. All composed, the roller has to stand up to inside and outside wear plus to external compression.

Connecting links

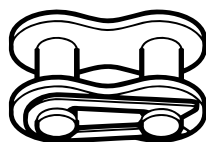
To join the ends of the chain, a connecting link is the most common component. There are two configurations available, namely the connecting link with open spring clip and the cotter pin, both slip-fit.

The short pitch chains normally use two connecting pins riveted into the outer plate while the slip-fit cover plate is secured by a spring clip. The alternative configuration consists as well of two connecting pins riveted into the outer plate, while the slip-fit cover plate is secured by a cotter or split pin. For big load carrying, press-fit connecting links are recommended, in which case the cover plate pitch holes are smaller in diameter than the pins, thus requiring to press the cover plate onto the pins before fixing a spring clip or a cotter pin.

Press-fit connecting link cover plates can carry bigger load than the slip-fit, and are possible to install by pressing the cover plate, with a smaller diameter than that of the pins, onto the pins before mounting the cotter pins or the open spring clip.



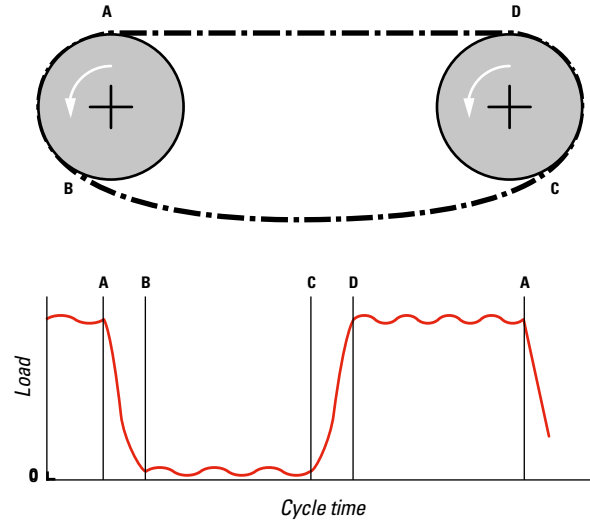
Cotter pin



Spring clip

Plate

The plate has to bear the tension of the chain in cycles, whereas the maximum tension is between the driving and driven tract of the chain drive, it decreases along the descending sprocket wrap, stays minimum between the driving and driven returning tract and picks up in the ascending wrap as shown in the graf below.



The plate then has to stand up to traction tensile strength plus the shock loads, corrosion and abrasion.

Cotter pin and Spring clip

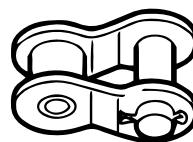
Their function is to keep in place the outer plate to fall off. They have to be of high tensile steel.

Offset links

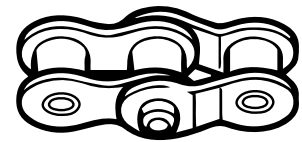
Known as well as cranked links, not to be confused with the the crank links used as a main feature of the Crank Chains included in our program, are used in cases where the chain has to have an odd number of links, as the chain to join has an even number of links. It is known as well as a half link for the sake to be used to shorten the chain.

A Single-pitch offset link consists of a pair of cranked plates with a bush and roller at the narrow side and slip-fit with split pins at the wide side of the link. Of important consideration to note that Single-pitch offset links can reduce the load capacity of the chain up to 30%.

A Double-pitch offset link consists of an inner link press-fit assembled with an offset link offers higher structural strength, thus far more reliable in high speed or heavy loads than the Single-pitch offset link. The Double-pitch offset link does not provoke a significant reduction of the load carrying capacity of the chain.



Half link



Double link

Driving conditions

Strength effect to chain between Connecting links and Offset links

Connecting and Offset links have a lower fatigue strength than the chain as a whole, consequently the decrease in the strength chain ratio has to be taken into consideration at the time of configuring a chain.

The table ahead is a guide of the average strength decrease in percentage of the Maximum Load Allowance. To minimize this effect, there is the possibility to configure a chain as an endless unit in which case the links will be press fit, either by riveting or any other factory-made system.

TYPE OF LINK	STRENGTH REDUCTION IN %
Slip fit connecting link	0 ~ 20
Press fit connecting link	No reduction
Slip fit offset link	30 ~ 35
Two-Pitch offset link	0 ~ 25*

* Minimum for press fit. Maximum for slip fit.

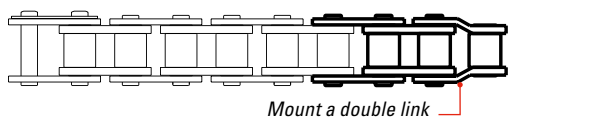
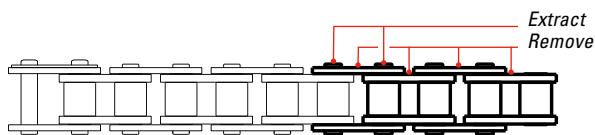
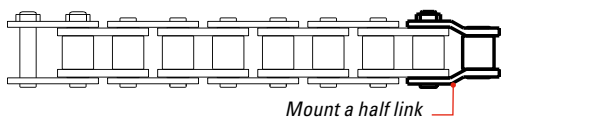
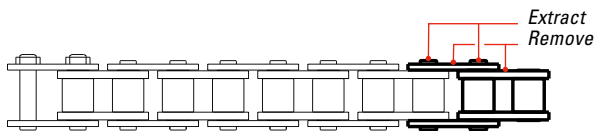
Chain length adjustment

In case that the distance between driving and driven shafts is fixed, the length of the chain has to be adjusted with the use of links:

Shortening by one pitch:

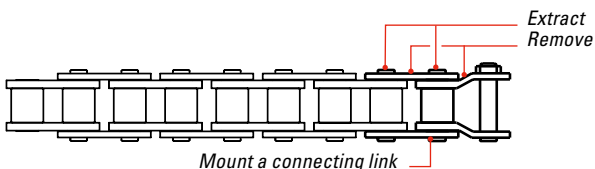
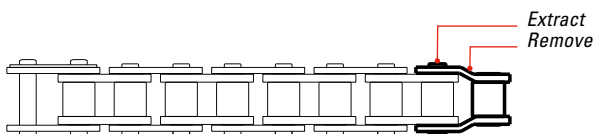
A. Chains with an even number of pitches:

Remove two pitches, that is, one inner and one outer, add then an offset link. Alternatively, remove four pitches, two inner and two outer, add then one double offset link.



B. Chains with an odd number of pitches

Remove the crank link at the end of the chain. Alternatively, if the chain ends with an offset link used as connect link, remove the outer link and replace by a connect link.



*Hardened Teeth

Case hardening the teeth of the sprockets usually by induction, provides at their wearing areas a hard layer, which contributes to the reduction of wear, as well as absorbs shock loads, while maintains the ductility of the core.

Although the general guide of chain technique advises to harden the teeth in sprockets less than 25 teeth due to the fact that the load in teeth increases as the number of teeth decreases, the sprockets of our program are hundred percent hardened teeth.

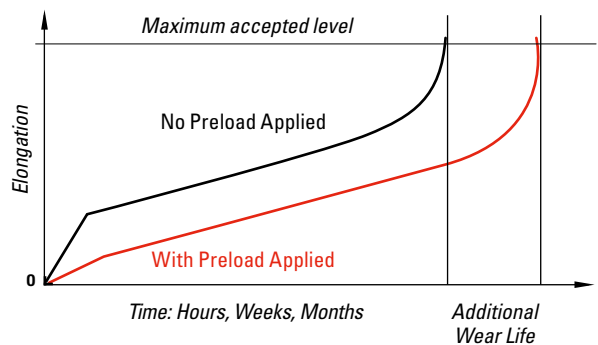
* Reproduced in Chapter I page: 15

Preloading

Consists in applying to the chain, a load near to the maximum while in service, aligning the chain components and eliminating the initial elongation with the result of longer serviceability of the chain.

The graph below shows the result of preloading in terms of serviceability. Chains not preloaded experiment an amount of elongation at the start and will further elongate as compared with the preloaded which practically does not elongate at the start and, at the end extends its life.

The preload graphic below makes clear the benefits of the preloading in terms of longer wear life.



Every chain in our program is statically and dynamically preloaded.

Chain Wrap

The minimum wrap angle guide is 120° in the smallest sprocket of the drive which may be reduced with a proper tension of the chain, otherwise the chain may jump out.

Manufacturing process

Our chain's program is manufactured by modern equipment constantly adapted to the latest techniques of the world industry oriented to the quality of the product, starting with the different steel materials, the making of the components, the treatments, the assembly and the final testing at the end.

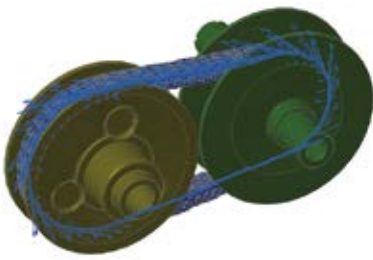
A quality assurance program monitors the chain making all along the different phases and stations in view to guarantee the expected Performance, Reliability and Durability in conformance to the design of the specific chain.

The plant counts with specialized equipment as, but not limited to, cold roller extruders, continuous rolling of plate strips, low speed

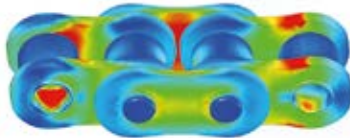
wire cutting units, continuous mesh rolling of bush material, shot blasting line, continuous mesh bolt furnace and assembly line, with the corresponding tooling.

A fully equipped metrology lab and testing equipment guarantee the quality dimensions of the chain. Amongst others, the lab counts on, chain length measuring, 3D measuring instruments, spectrometer, saline tester, roughness contourgraph, wear tester and strength-strain tester.

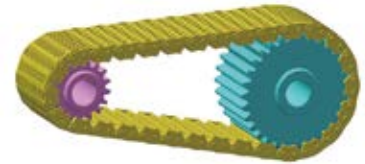
Mention has to be done to our capacity to customize the product according to specific needs of the customer.



Dynamics modeling and simulation analysis



FEA, Finite Element Analysis



System design



Environmentally friendly shot blasting line for plate material



Cold extruding of rollery



Continuous rolling of bush material



Continuous meshbelt furnace

CHAIN PROGRAM

Our chain program is grouped in:

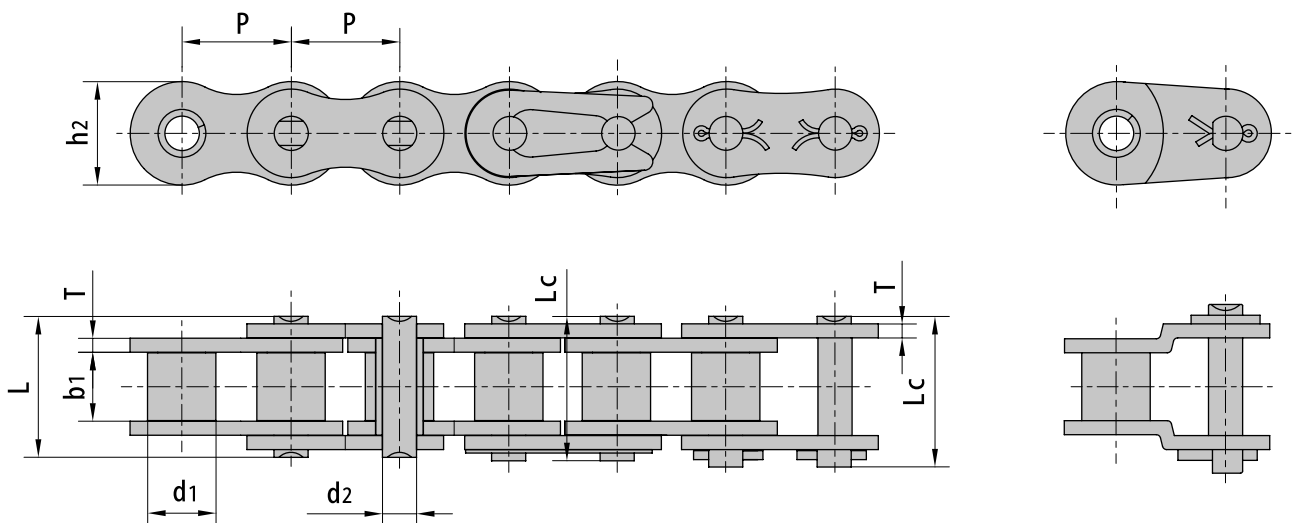
- Driving chains
- Conveyor chains
- Stainless Steel chains
- Engineering chains
- Leaf & Hoisting chains
- Agricultural chains
- Automotive chains
- Drag chains
- Accessories

DRIVING CHAINS

ANSI SHORT PITCH ROLLER CHAINS. SIMPLEX

ANSI	PITCH	ROLLER DIAMETER	WIDTH BETWEEN INNER PLATES	PIN DIAMETER	PIN LENGTH		INNER PLATE DEPTH	PLATE THICKNESS	TENSILE STRENGTH	AVERAGE TENSILE STRENGTH		WEIGHT PER METER
					L max mm	Lc max mm				Q min kN/lbf	Qo kN	
* TL-15-1	4,7625	2,48	2,38	1,62	6,10	6,90	4,30	0,60	1,80/409	2,0	0,08	
* TL-25-1	6,3500	3,30	3,18	2,31	7,90	8,40	6,00	0,80	3,50/795	5,0	0,15	
* TL-35-1	9,5250	5,08	4,77	3,58	12,40	13,17	9,00	1,30	7,90/1795	11,3	0,33	
TL-41-1	12,7000	7,77	6,25	3,58	13,75	15,00	9,91	1,30	6,67/1516	12,6	0,41	
TL-40-1	12,7000	7,95	7,85	3,96	16,60	17,80	12,00	1,50	14,1/3205	18,6	0,62	
TL-50-1	15,8750	10,16	9,40	5,08	20,70	22,20	15,09	2,03	22,20/5045	31,3	1,02	
TL-60-1	19,0500	11,91	12,57	5,94	25,90	27,70	18,00	2,42	31,80/7227	43,2	1,50	
TL-80-1	25,4000	15,88	15,75	7,92	32,70	35,00	24,00	3,25	56,70/12886	74,3	2,60	
TL-100-1	31,7500	19,05	18,90	9,53	40,40	44,70	30,00	4,00	88,50/20114	107,6	3,91	
TL-120-1	38,1000	22,23	25,22	11,10	50,30	54,30	35,70	4,80	127,00/28864	163,1	5,62	
TL-140-1	44,4500	25,40	25,22	12,70	54,40	59,00	41,00	5,60	172,40/39182	222,5	7,50	
TL-160-1	50,8000	28,58	31,55	14,27	64,80	69,60	47,80	6,40	226,80/51545	266,9	10,10	
TL-180-1	57,1500	35,71	35,48	17,46	72,80	78,60	53,60	7,20	280,20/63682	361,1	13,45	
TL-200-1	63,5000	39,68	37,85	19,85	80,30	87,20	60,00	8,00	353,80/80409	466,8	16,15	
TL-240-1	76,2000	47,63	47,35	23,81	95,50	103,00	72,39	9,50	510,30/115977	671,6	23,20	

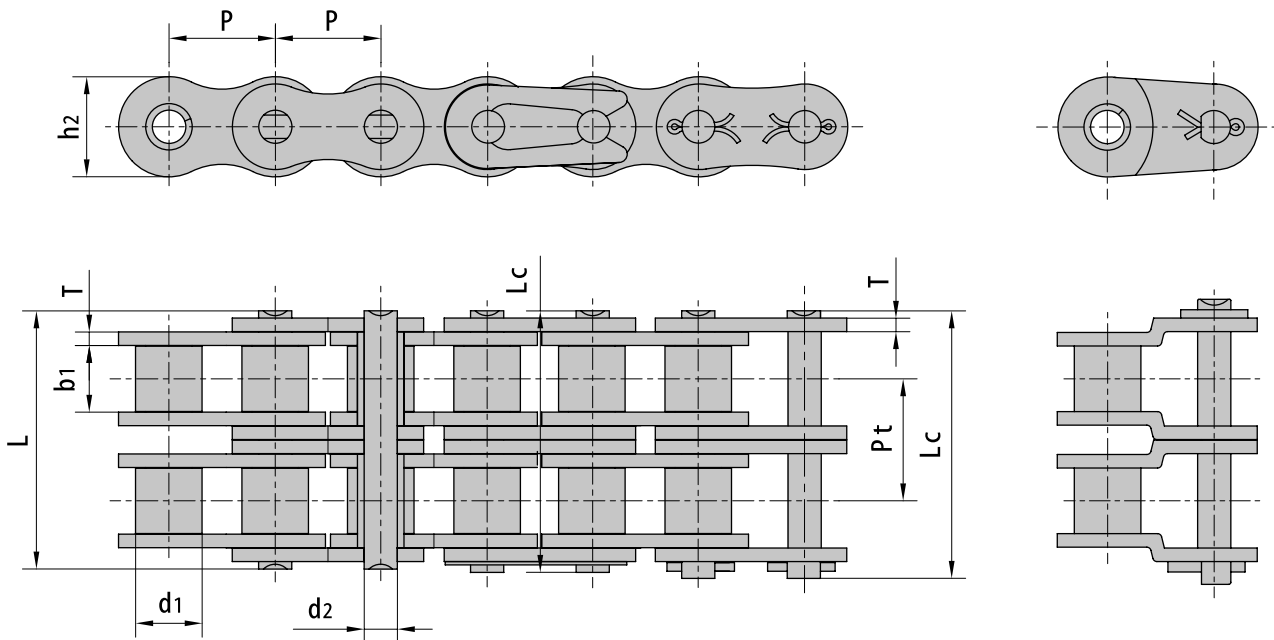
* Bush chain. d1 indicates the bush outside diameter.



ANSI SHORT PITCH ROLLER CHAINS. DUPLEX

ANSI	PITCH	ROLLER DIAMETER	WIDTH BETWEEN INNER PLATES	PIN DIAMETER	PIN LENGTH		INNER PLATE DEPTH	PLATE THICKNESS	TRANSVERSE PITCH	TENSILE STRENGTH	AVERAGE TENSILE STRENGTH	WEIGHT PER METER
Chain No.	P mm	d1 max mm	b1 min mm	d2 max mm	L max mm	Lc max mm	h2 max mm	T max mm	Pt mm	Q min kN/lbf	Qo kN	q Kg/m
*TL-25-2	6,350	3,30	3,18	2,31	14,50	15,00	6,00	0,80	6,40	7,00/1591	10,00	0,28
*TL-35-2	9,525	5,08	4,77	3,58	22,50	23,30	9,00	1,30	10,13	15,80/3591	22,30	0,63
TL-41-2	12,700	7,77	6,25	3,58	25,70	26,90	9,91	1,30	11,95	13,34/3032	16,90	0,81
TL-40-2	12,700	7,95	7,85	3,96	31,00	32,20	12,00	1,50	14,38	28,20/6409	37,20	1,12
TL-50-2	15,875	10,16	9,40	5,08	38,90	40,40	15,09	2,03	18,11	44,40/10091	62,60	2,00
TL-60-2	19,050	11,91	12,57	5,94	48,80	50,50	18,00	2,42	22,78	63,60/14455	86,40	2,92
TL-80-2	25,400	15,88	15,75	7,92	62,70	64,30	24,00	3,25	29,29	113,40/25773	148,60	5,15
TL-100-2	31,750	19,05	18,90	9,53	76,40	80,50	30,00	4,00	35,76	177,00/40227	215,20	7,80
TL-120-2	38,100	22,23	25,22	11,10	95,80	99,70	35,70	4,80	45,44	254,00/57727	326,20	11,70
TL-140-2	44,450	25,40	25,22	12,70	103,30	107,90	41,00	5,60	48,87	344,80/78364	445,00	15,14
TL-160-2	50,800	28,58	31,55	14,27	123,30	128,10	47,80	6,40	58,55	453,60/103091	533,80	20,14
TL-180-2	57,150	35,71	35,48	17,46	138,60	144,40	53,60	7,20	65,84	560,50/127386	722,20	29,22
TL-200-2	63,500	39,68	37,85	19,85	151,90	158,80	60,00	8,00	71,55	707,60/160818	933,60	32,24
TL-240-2	76,200	47,63	47,35	23,81	183,40	190,80	72,39	9,50	87,83	1020,60/213955	1343,20	45,23

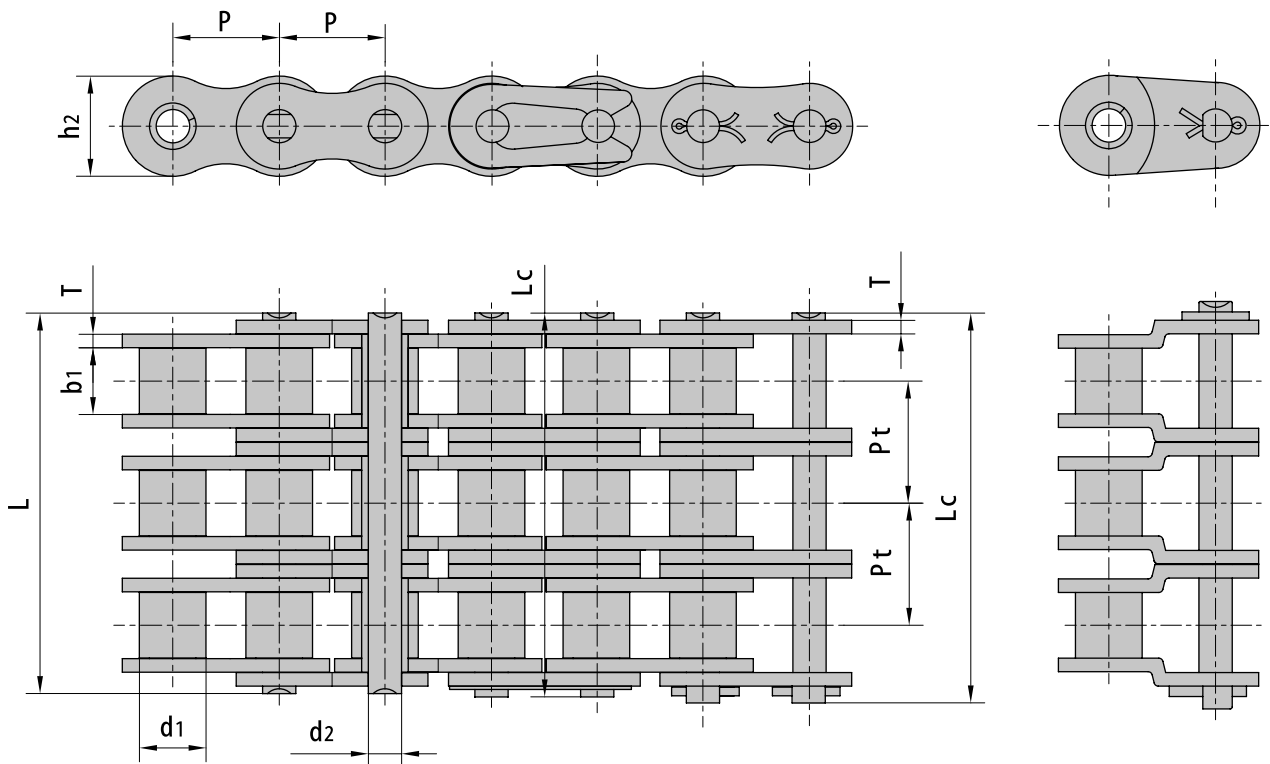
* Bush chain. d1 indicates the bush outside diameter.



ANSI SHORT PITCH ROLLER CHAINS. TRIPLEX

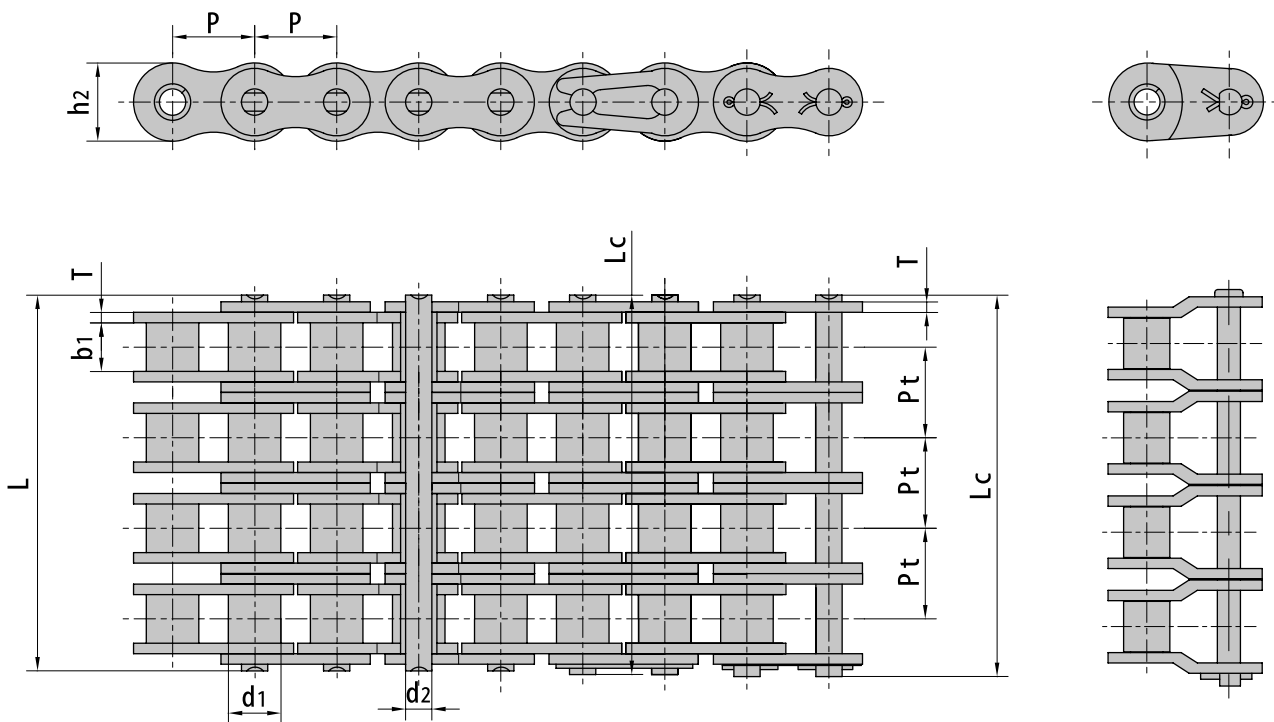
ANSI	PITCH	ROLLER DIAMETER	WIDTH BETWEEN INNER PLATES	PIN DIAMETER	PIN LENGTH		INNER PLATE DEPTH	PLATE THICKNESS	TRANSVERSE PITCH	TENSILE STRENGTH	AVERAGE TENSILE STRENGTH	WEIGHT PER METER
Chain No.	P mm	d1 max mm	b1 min mm	d2 max mm	L max mm	Lc max mm	h2 max mm	T max mm	Pt mm	Q min kN/lbf	Qo kN	q Kg/m
*TL-25-3	6,350	3,30	3,18	2,31	21,0	21,5	6,00	0,80	6,40	10,5/2386	15,0	0,44
*TL-35-3	9,525	5,08	4,77	3,58	32,7	33,5	9,00	1,30	10,13	23,7/5386	33,9	1,05
TL-40-3	12,700	7,95	7,85	3,96	45,4	46,6	12,00	1,50	14,38	42,3/9614	55,8	1,90
TL-50-3	15,875	10,16	9,40	5,08	57,0	58,5	15,09	2,03	18,11	66,6/15136	93,9	3,09
TL-60-3	19,050	11,91	12,57	5,94	71,5	73,3	18,00	2,42	22,78	95,4/21682	129,6	4,54
TL-80-3	25,400	15,88	15,75	7,92	91,7	93,6	24,00	3,25	29,29	170,1/38659	222,9	7,89
TL-100-3	31,750	19,05	18,90	9,53	112,2	116,3	30,00	4,00	35,76	265,5/60341	322,8	11,77
TL-120-3	38,100	22,23	25,22	11,10	141,4	145,2	35,70	4,80	45,44	381,0/86591	489,3	17,53
TL-140-3	44,450	25,40	25,22	12,70	152,2	156,8	41,00	5,60	48,87	517,2/117545	667,5	22,20
TL-160-3	50,800	28,58	31,55	14,27	181,8	186,6	47,80	6,40	58,55	680,4/154636	800,7	30,02
TL-180-3	57,150	35,71	35,48	17,46	204,4	210,2	53,60	7,20	65,84	840,7/191068	1083,3	38,22
TL-200-3	63,500	39,68	37,85	19,85	223,5	230,4	60,00	8,00	71,55	1061,4/241227	1400,4	49,03
TL-240-3	76,200	47,63	47,35	23,81	271,3	278,6	72,39	9,50	87,83	1530,9/347932	2014,8	71,60

* Bush chain. d1 indicates the bush outside diameter.



ANSI SHORT PITCH ROLLER CHAINS. MULTIPLEX

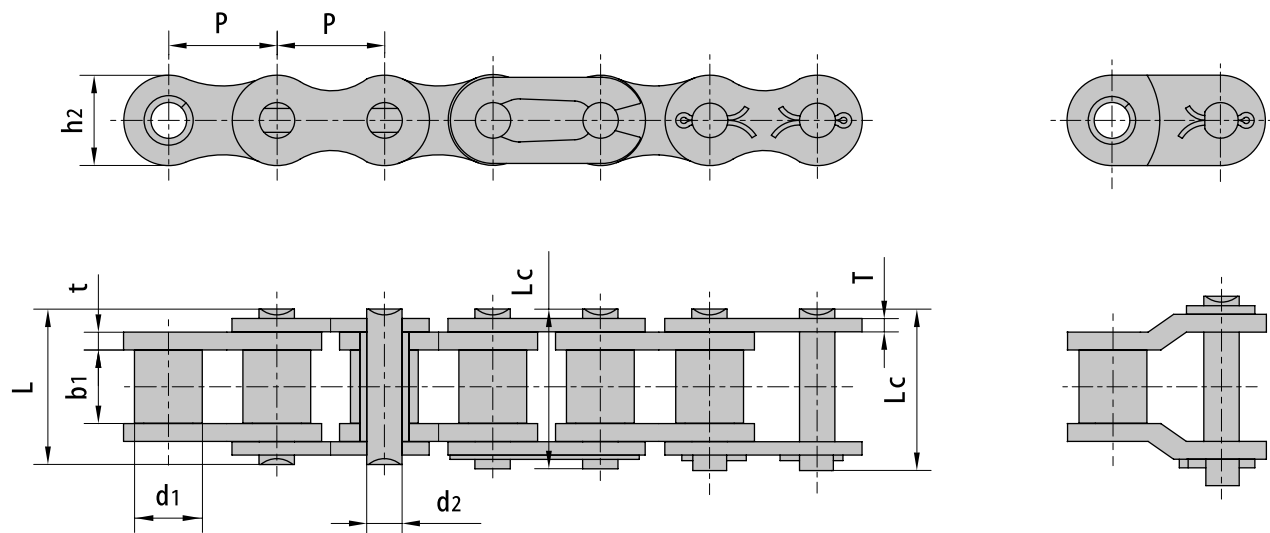
ANSI	PITCH	ROLLER DIAMETER	WIDTH BETWEEN INNER PLATES	PIN DIAMETER	PIN LENGTH		INNER PLATE DEPTH	PLATE THICKNESS	TRANSVERSE PITCH	TENSILE STRENGTH	AVERAGE TENSILE STRENGTH	WEIGHT PER METER
Chain No.	P mm	d1 max mm	b1 min mm	d2 max mm	L max mm	Lc max mm	h2 max mm	T max mm	Pt mm	Q min kN/lbf	Qo kN	q Kg/m
TL-40-4	12,700	7,95	7,85	3,96	59,8	61,0	12,00	1,50	14,38	56,4/12687	62,04	2,57
TL-50-4	15,875	10,16	9,40	5,08	75,1	76,6	15,09	2,03	18,11	88,8/19976	97,68	4,30
TL-60-4	19,050	11,91	12,57	5,94	94,4	96,1	18,00	2,42	22,78	127,2/28614	139,92	6,21
TL-80-4	25,400	15,88	15,75	7,92	121,0	124,4	24,00	3,25	29,29	226,8/51020	249,48	10,37
TL-100-4	31,750	19,05	18,90	9,53	147,8	152,1	30,00	4,00	35,76	354/79635	389,40	15,60
TL-120-4	38,100	22,23	25,22	11,10	187,0	190,8	35,70	4,80	45,44	508/114278	558,80	23,56
TL-40-5	12,700	7,95	7,85	3,96	74,2	75,4	12,00	1,50	14,38	70,5/15859	77,55	3,19
TL-50-5	15,875	10,16	9,40	5,08	93,2	94,7	15,09	2,03	18,11	111/24970	122,10	5,37
TL-60-5	19,050	11,91	12,57	5,94	117,0	118,8	18,00	2,42	22,78	159/35768	174,90	7,75
TL-80-5	25,400	15,88	15,75	7,92	149,9	153,7	24,00	3,25	29,29	283,5/63775	311,85	12,96
TL-100-5	31,750	19,05	18,90	9,53	183,6	187,9	30,00	4,00	35,76	442,5/99543	486,75	19,46
TL-120-5	38,100	22,23	25,22	11,10	232,3	236,1	35,70	4,80	45,44	635/142848	698,50	29,40
TL-40-6	12,700	7,95	7,85	3,96	88,5	89,8	12,00	1,50	14,38	84,6/19031	93,06	3,83
TL-50-6	15,875	10,16	9,40	5,08	111,3	112,8	15,09	2,03	18,11	133,2/29964	146,52	6,43
TL-60-6	19,050	11,91	12,57	5,94	139,8	141,8	18,00	2,42	22,78	190,8/42921	209,80	9,31
TL-80-6	25,400	15,88	15,75	7,92	179,2	183,0	24,00	3,25	29,29	340,2/76530	374,22	15,50
TL-100-6	31,750	19,05	18,90	9,53	219,4	223,7	30,00	4,00	35,76	531/119452	584,10	23,36
TL-120-6	38,100	22,23	25,22	11,10	278,0	282,0	35,70	4,80	45,44	762/171417	838,20	35,30
TL-40-8	12,700	7,95	7,85	3,96	117,3	118,5	12,00	1,50	14,38	112,8/25375	124,08	5,11
TL-50-8	15,875	10,16	9,40	5,08	147,5	149,0	15,09	2,03	18,11	177,6/39952	195,36	8,59
TL-60-8	19,050	11,91	12,57	5,94	185,8	187,6	18,00	2,42	22,78	254,4/57229	279,84	12,37
TL-80-8	25,400	15,88	15,75	7,92	237,8	241,6	24,00	3,25	29,29	453,6/102040	498,96	20,67
TL-100-8	31,750	19,05	18,90	9,53	290,8	295,1	30,00	4,00	35,76	708/159270	778,80	31,14
TL-120-8	38,100	22,23	25,22	11,10	368,8	372,8	35,70	4,80	45,44	1016/228557	1176	47,07



ISO/DIN SHORT PITCH ROLLER CHAINS. SIMPLEX

ISO/DIN	PITCH	ROLLER DIAMETER	WIDTH BETWEEN INNER PLATES	PIN DIAMETER	PIN LENGTH		INNER PLATE DEPTH	PLATE THICKNESS	TENSILE STRENGTH	AVERAGE TENSILE STRENGTH	WEIGHT PER METER
Chain No.	P mm	d1 max mm	b1 min mm	d2 max mm	L max mm	Lc max mm	h2 max mm	t/T max mm	Q min kN/lbf	Qo kN	q Kg/m
TL-04B-1	6,000	4,00	2,80	1,85	6,80	7,8	5,00	0,60	3,0/682	3,2	0,11
TL-05B-1	8,000	5,00	3,00	2,31	8,20	8,9	7,10	0,80	5,0/1136	5,9	0,20
*TL-06B-1	9,525	6,35	5,72	3,28	13,15	14,1	8,20	1,30	9,0/2045	10,4	0,41
TL-08B-1	12,700	8,51	7,75	4,45	16,70	18,2	11,80	1,60	18,0/4091	19,4	0,69
TL-10B-1	15,875	10,16	9,65	5,08	19,50	20,9	14,70	1,70	22,4/5091	27,5	0,93
TL-12B-1	19,050	12,07	11,68	5,72	22,50	24,2	16,00	1,85	29,0/6591	32,2	1,15
TL-16B-1	25,400	15,88	17,02	8,28	36,10	37,4	21,00	4.15/3.1	60,0/13636	77,1	2,71
TL-20B-1	31,750	19,05	19,56	10,19	41,30	45,0	26,40	4.50/3.5	95,0/21591	122,8	3,70
TL-24B-1	38,100	25,40	25,40	14,63	53,40	57,8	33,20	6.00/4.8	160,0/36364	178,0	7,10
TL-28B-1	44,450	27,94	30,99	15,90	65,10	69,5	36,70	7.50/6.0	200,0/45455	236,4	8,50
TL-32B-1	50,800	29,21	30,99	17,81	66,00	71,0	42,00	7.00/6.0	250,0/56818	277,5	10,25
TL-40B-1	63,500	39,37	38,10	22,89	82,20	89,2	52,96	8.50/8.0	355,0/80682	394,0	16,35
TL-48B-1	76,200	48,26	45,72	29,24	99,10	107,0	63,80	12.00/10.0	560,0/127272	621,6	25,00
TL-56B-1	88,900	53,98	53,34	34,32	114,6	123,0	77,80	13.50/12.0	850,0/193180	940,0	35,78
TL-64B-1	101,600	63,50	60,96	39,40	130,0	138,5	90,17	15.00/13.0	112,0/254544	1240,0	46,00
TL-72B-1	114,300	72,39	68,58	44,48	147,4	156,4	103,60	17.00/15.0	1400,0/318180	1550,0	60,80

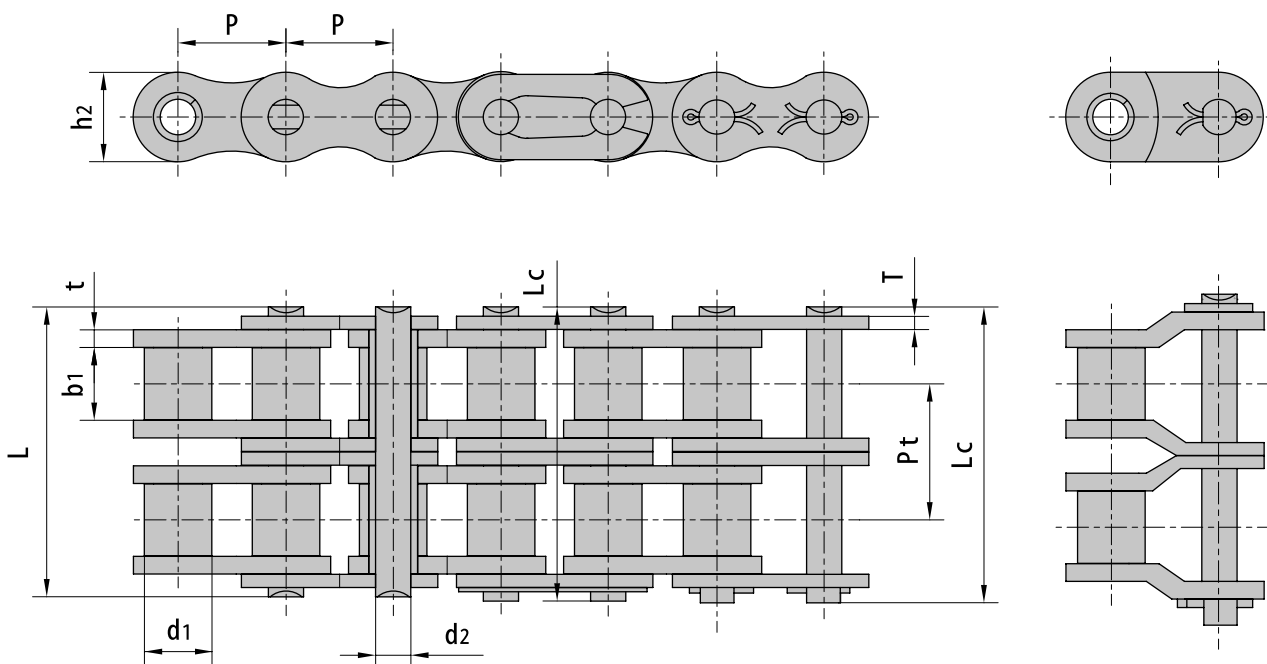
*Straight side plates.



ISO/DIN SHORT PITCH ROLLER CHAINS. DUPLEX

ISO/DIN	PITCH	ROLLER DIAMETER	WIDTH BETWEEN INNER PLATES	PIN DIAMETER	PIN LENGTH		INNER PLATE DEPTH	PLATE THICKNESS	TRANSVERSE PITCH	TENSILE STRENGTH	AVERAGE TENSILE STRENGTH	WEIGHT PER METER
Chain No.	P mm	d1 max mm	b1 min mm	d2 max mm	L max mm	Lc max mm	h2 max mm	t/T max mm	Pt mm	Q min kN/lbf	Qo kN	q Kg/m
TL-05B-2	8,000	5,00	3,00	2,31	13,9	14,5	7,10	0,80	5,64	7,8/1773	10,2	0,33
*TL-06B-2	9,525	6,35	5,72	3,28	23,4	24,4	8,20	1,30	10,24	16,9/3841	18,7	0,77
TL-08B-2	12,700	8,51	7,75	4,45	31,0	32,2	11,80	1,60	13,92	32,0/7273	38,7	1,34
TL-10B-2	15,875	10,16	9,65	5,08	36,1	37,5	14,70	1,70	16,59	44,5/10114	56,2	1,84
TL-12B-2	19,050	12,07	11,68	5,72	42,0	43,6	16,00	1,85	19,46	57,8/13136	66,1	2,31
TL-16B-2	25,400	15,88	17,02	8,28	68,0	69,3	21,00	4.15/3.1	31,88	106,0/24091	152,1	5,42
TL-20B-2	31,750	19,05	19,56	10,19	77,8	81,5	26,40	4.50/3.5	36,45	170,0/38636	229,0	7,20
TL-24B-2	38,100	25,40	25,40	14,63	101,7	106,2	33,20	6.00/4.8	48,36	280,0/63636	319,2	13,40
TL-28B-2	44,450	27,94	30,99	15,90	124,6	129,1	36,70	7.50/6.0	59,56	360,0/81818	406,8	16,60
TL-32B-2	50,800	29,21	30,99	17,81	124,6	129,6	42,00	7.00/6.0	58,55	450,0/102273	508,5	21,00
TL-40B-2	63,500	39,37	38,10	22,89	154,5	161,5	52,96	8.50/8.0	72,29	630,0/143182	711,9	32,00
TL-48B-2	76,200	48,26	45,72	29,24	190,4	198,2	63,80	12.00/10.0	91,21	1000,0/227272	1130,0	50,00
TL-56B-2	88,900	53,98	53,34	34,32	221,2	229,6	77,80	13.50/12.0	106,6	1600,0/363635	1760,0	71,48
TL-64B-2	101,600	63,50	60,96	39,40	249,9	258,4	90,17	15.00/13.0	119,89	2000,0/454544	2200,0	91,00
TL-72B-2	114,300	72,39	68,58	44,48	283,7	292,7	103,60	17.00/15.0	136,27	2500,0/568180	2750,0	120,40

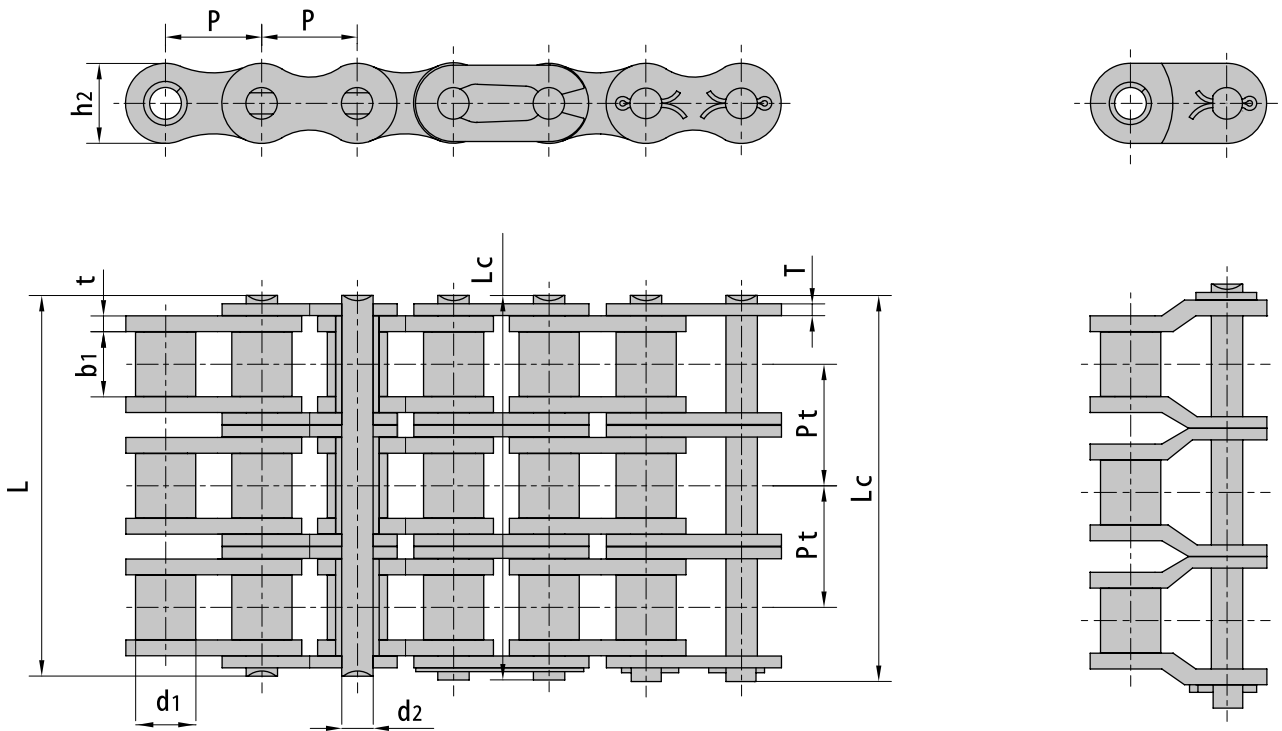
* Straight side plates.



ISO/DIN SHORT PITCH ROLLER CHAINS. TRIPLEX

ISO/DIN	PITCH	ROLLER DIAMETER	WIDTH BETWEEN INNER PLATES	PIN DIAMETER	PIN LENGTH		INNER PLATE DEPTH	PLATE THICKNESS	TRANSVERSE PITCH	TENSILE STRENGTH	AVERAGE TENSILE STRENGTH	WEIGHT PER METER
Chain No.	P mm	d1 max mm	b1 min mm	d2 max mm	L max mm	Lc max mm	h2 max mm	t/T max mm	Pt mm	Q min kN/lbf	Qo kN	q Kg/m
TL-05B-3	8,000	5,00	3,00	2,31	19,5	20,2	7,10	0,80	5,64	11,1/2523	13,8	0,48
*TL-06B-3	9,525	6,35	5,72	3,28	33,5	34,6	8,2	1,3	10,24	24,9/5659	30,1	1,16
TL-08B-3	12,700	8,51	7,75	4,45	45,1	46,1	11,80	1,60	13,92	47,5/10795	57,8	2,03
TL-10B-3	15,875	10,16	9,65	5,08	52,7	54,1	14,70	1,70	16,59	66,7/15159	84,5	2,77
TL-12B-3	19,050	12,07	11,68	5,72	61,5	63,1	16,00	1,85	19,46	86,7/19705	101,8	3,46
TL-16B-3	25,400	15,88	17,02	8,28	99,8	101,2	21,00	4.15/3.1	31,88	160,0/36364	227,1	8,13
TL-20B-3	31,750	19,05	19,56	10,19	114,2	117,9	26,40	4.50/3.5	36,45	250,0/56818	334,3	10,82
TL-24B-3	38,100	25,40	25,40	14,63	150,1	154,6	33,20	6.00/4.8	48,36	425,0/96591	493,0	20,10
TL-28B-3	44,450	27,94	30,99	15,90	184,2	188,7	36,70	7.50/6.0	59,56	530,0/120454	609,5	24,92
TL-32B-3	50,800	29,21	30,99	17,81	183,2	188,2	42,00	7.00/6.0	58,55	670,0/152273	770,5	31,56
TL-40B-3	63,500	39,37	38,10	22,89	226,8	233,8	52,96	8.50/8.0	72,29	950,0/215909	1092,5	48,10
TL-48B-3	76,200	48,26	45,72	29,24	281,6	289,4	63,80	12.00/10.0	91,21	1500,0/340909	1710,0	75,00
TL-56B-3	88,900	53,98	53,34	34,32	327,8	336,2	77,80	13.50/12.0	106,6	2240,0/545450	2464,0	107,18
TL-64B-3	101,600	63,50	60,96	39,40	369,8	378,3	90,17	15.00/13.0	119,89	3000,0/681820	3300,0	136,00
TL-72B-3	114,300	72,39	68,58	44,48	420,0	429,0	103,60	17.00/15.0	136,27	3750,0/852270	4125,0	180,00

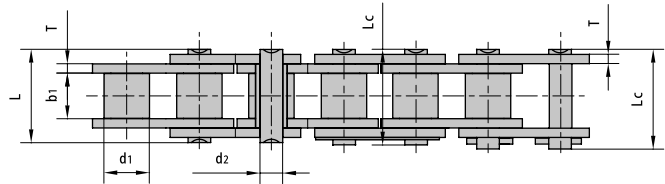
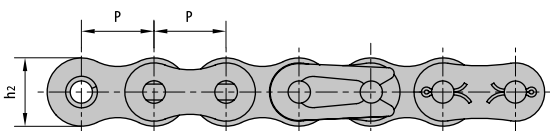
* Straight side plates.



ANSI HEAVY DUTY ROLLER CHAINS. SIMPLEX

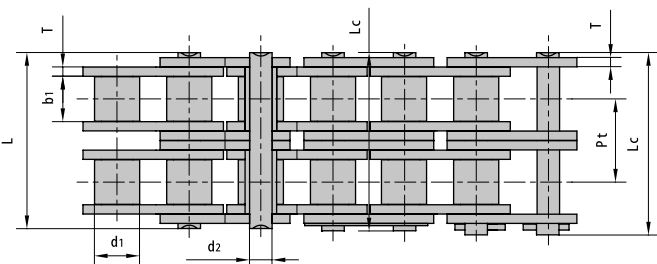
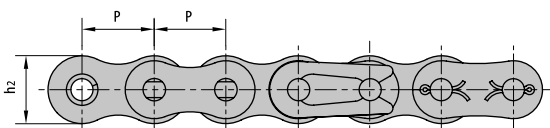
ANSI	PITCH	ROLLER DIAMETER	WIDTH BETWEEN INNER PLATES	PIN DIAMETER	PIN LENGTH		INNER PLATE DEPTH	PLATE THICKNESS	TENSILE STRENGTH	AVERAGE TENSILE STRENGTH	WEIGHT PER METER
Chain No.	P mm	d1 max mm	b1 min mm	d2 max mm	L max mm	Lc max mm	h2 max mm	T max mm	Q min kN/lbf	Qo kN	q Kg/m
*TL-35H-1	9,525	5,08	4,77	3,58	13,3	14,3	9,00	1,50	7,9/1795	10,8	0,41
TL-40H-1	12,700	7,95	7,85	3,96	18,8	19,9	12,00	2,03	14,1/3205	19,1	0,82
TL-50H-1	15,875	10,16	9,40	5,08	22,1	23,4	15,09	2,42	22,2/5045	30,2	1,25
TL-60H-1	19,050	11,91	12,57	5,94	29,2	31,0	18,00	3,25	31,8/7227	42,7	1,87
TL-80H-1	25,400	15,88	15,75	7,92	36,2	37,7	24,00	4,00	56,7/12886	71,4	3,10
TL-100H-1	31,750	19,05	18,90	9,53	43,6	46,9	30,00	4,80	88,5/20114	112,4	4,52
TL-120H-1	38,100	22,23	25,22	11,10	53,5	57,5	35,70	5,60	127,0/28864	160,9	6,60
TL-140H-1	44,450	25,40	25,22	12,70	57,6	62,2	41,00	6,40	172,4/39182	217,3	8,30
TL-160H-1	50,800	28,58	31,55	14,27	68,2	73,0	47,80	7,20	226,8/51545	285,8	10,30
TL-180H-1	57,150	35,71	35,48	17,46	75,9	81,6	53,60	8,00	281,0/63863	341,8	14,83
TL-200H-1	63,500	39,68	37,85	19,85	86,6	93,5	60,00	9,50	353,8/80409	444,5	19,16
TL-240H-1	76,200	47,63	47,35	23,81	109,6	115,9	72,30	12,70	510,3/115977	622,5	30,40

* Bush chain. d1 indicates the bush outside diameter.



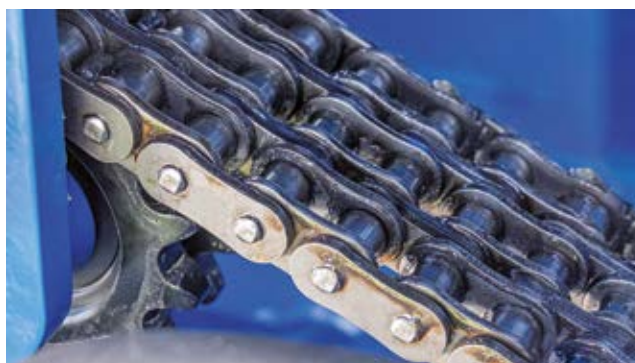
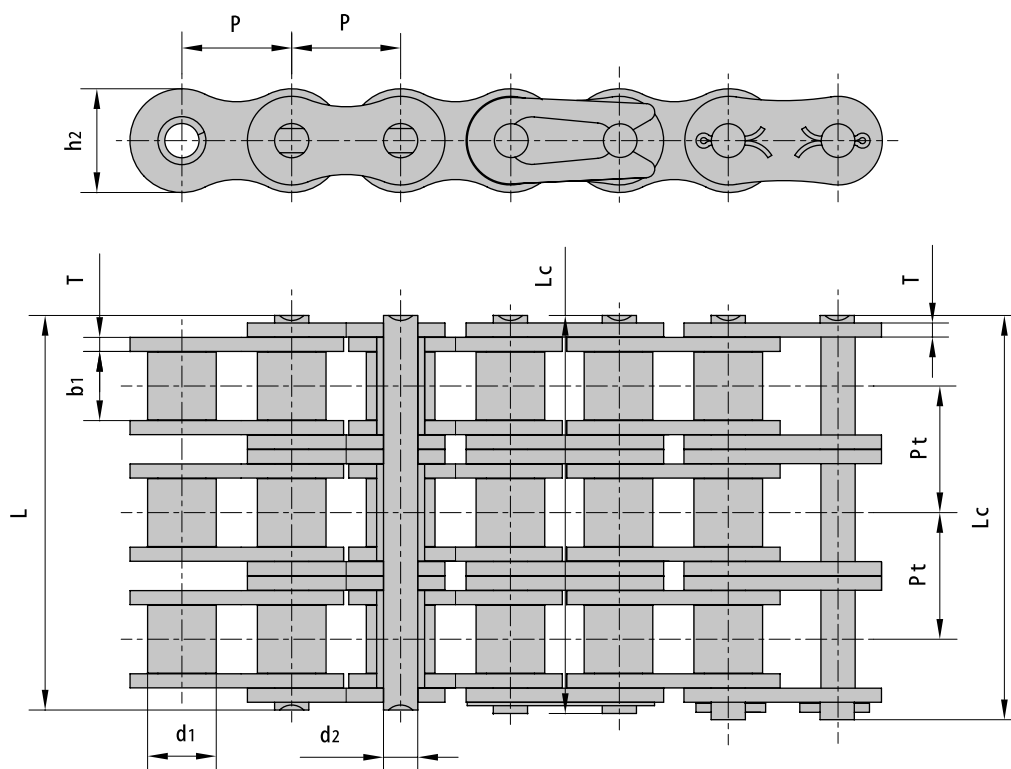
ANSI HEAVY DUTY ROLLER CHAINS. DUPLEX

ANSI	PITCH	ROLLER DIAMETER	WIDTH BETWEEN INNER PLATES	PIN DIAMETER	PIN LENGTH		INNER PLATE DEPTH	PLATE THICKNESS	TRANSVERSE PITCH	TENSILE STRENGTH	AVERAGE TENSILE STRENGTH	WEIGHT PER METER
Chain No.	P mm	d1 max mm	b1 min mm	d2 max mm	L max mm	Lc max mm	h2 max mm	T max mm	Pt mm	Q min kN/lbf	Qo kN	q Kg/m
TL-60H-2	19,050	11,91	12,57	5,94	55,3	57,1	18,00	3,25	26,11	63,6/14455	84,5	3,71
TL-80H-2	25,400	15,88	15,75	7,92	68,8	70,3	24,00	4,00	32,59	113,4/25773	145,3	6,15
TL-100H-2	31,750	19,05	18,90	9,53	82,7	86,0	30,00	4,80	39,09	177,0/40227	225,9	9,03
TL-120H-2	38,100	22,23	25,22	11,10	102,4	106,4	35,70	5,60	48,87	254,0/57727	322,7	13,13
TL-140H-2	44,450	25,40	25,22	12,70	109,8	114,4	41,00	6,40	52,20	344,8/78364	437,7	16,60
TL-160H-2	50,800	28,58	31,55	14,27	130,1	134,9	47,80	7,20	61,90	453,6/103091	571,6	20,20
TL-180H-2	57,150	35,71	35,48	17,46	146,5	155,6	53,60	8,00	69,16	562/127726	680,0	29,20
TL-200H-2	63,500	39,68	37,85	19,85	164,9	171,8	60,00	9,50	78,31	707,6/160818	894,9	38,11
TL-240H-2	76,200	47,63	47,35	23,81	212,6	223,1	72,30	12,70	101,22	1000/227270	1200,0	60,50



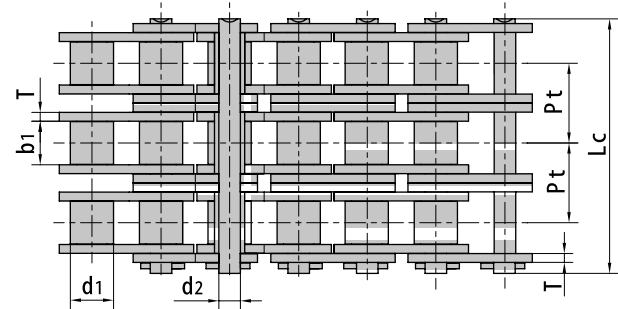
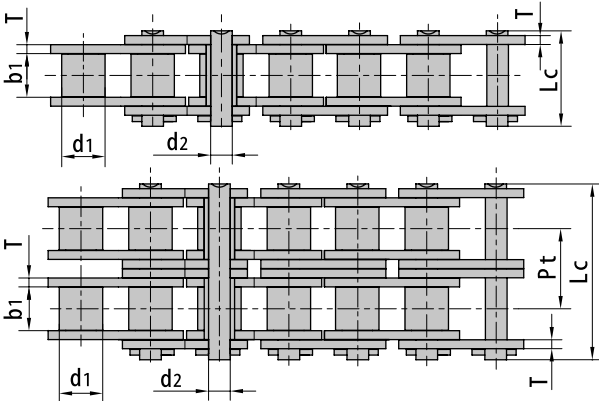
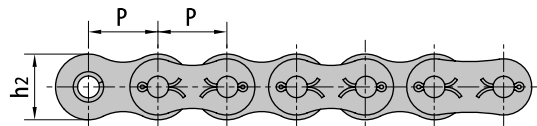
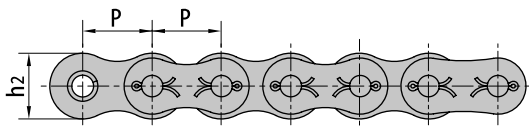
ANSI HEAVY DUTY ROLLER CHAINS. TRIPLEX

ANSI	PITCH	ROLLER DIAMETER	WIDTH BETWEEN INNER PLATES	PIN DIAMETER	PIN LENGTH		INNER PLATE DEPTH	PLATE THICKNESS	TRANSVERSE PITCH	TENSILE STRENGTH	AVERAGE TENSILE STRENGTH	WEIGHT PER METER
Chain No.	P mm	d1 max mm	b1 min mm	d2 max mm	L max mm	Lc max mm	h2 max mm	T max mm	Pt mm	Q min kN/lbf	Qo kN	q Kg/m
60H-3	19,050	11,91	12,57	5,94	81,4	83,2	18,00	3,25	26,11	95,4/21682	113,9	5,54
80H-3	25,400	15,88	15,75	7,92	101,4	102,9	24,00	4,00	32,59	170,1/38659	203,5	9,42
100H-3	31,750	19,05	18,90	9,53	121,8	125,1	30,00	4,80	39,09	265,5/60341	314,8	12,96
120H-3	38,100	22,23	25,22	11,10	151,2	155,2	35,70	5,60	48,87	381,0/86591	444,7	19,64
140H-3	44,450	25,40	25,22	12,70	162,0	166,6	41,00	6,40	52,20	517,2/117545	598,4	24,90
160H-3	50,800	28,58	31,55	14,27	192,0	196,8	47,80	7,20	61,90	680,4/154636	787,3	30,10
180H-3	57,150	35,71	35,48	17,46	215,7	224,8	53,60	8,00	69,16	843/191589	1011,0	44,10
200H-3	63,500	39,68	37,85	19,85	243,2	250,1	60,00	9,50	78,31	1061,4/241227	1228,2	57,06
240H-3	76,200	47,63	47,35	23,81	313,8	324,3	72,30	12,70	101,22	1500/340905	1650,0	91,00



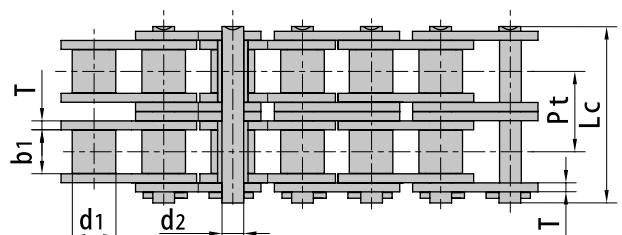
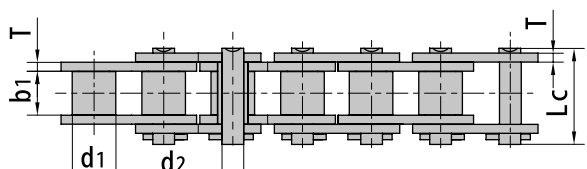
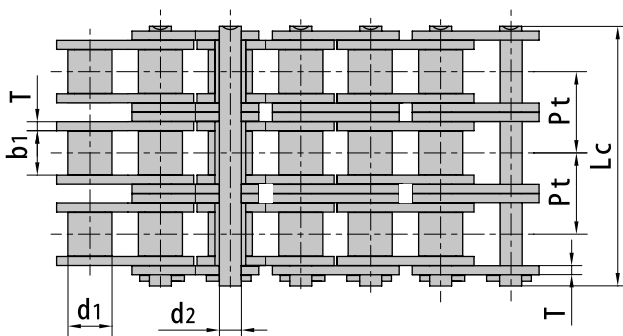
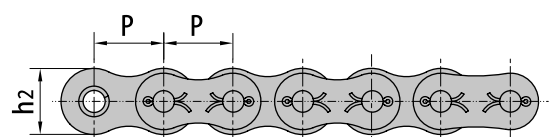
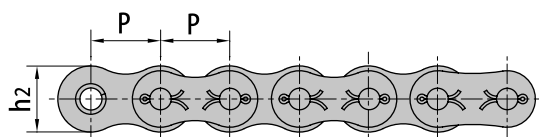
ANSI COTTERED TYPE SHORT PITCH ROLLER CHAINS. SIMPLEX, DUPLEX AND TRIPLEX

ANSI	PITCH	ROLLER DIAMETER	WIDTH BETWEEN INNER PLATES	PIN DIAMETER	PIN LENGTH	INNER PLATE DEPTH	PLATE THICKNESS	TRANSVERSE PITCH	TENSILE STRENGTH	AVERAGE TENSILE STRENGTH	WEIGHT PER METER
Chain No.	P mm	d1 max mm	b1 min mm	d2 max mm	Lc max mm	h2 max mm	T max mm	Pt mm	Q min kN/lbf	Qo kN	q Kg/m
TL-50-1-C	15,875	10,16	9,40	5,08	23,3	15,09	2,03		22,2/5045	29,40	1,02
TL-60-1-C	19,050	11,91	12,57	5,94	28,3	18,00	2,42		31,8/7227	41,50	1,50
TL-80-1-C	25,400	15,88	15,75	7,92	36,5	24,00	3,25		56,7/12886	69,40	2,60
TL-100-1-C	31,750	19,05	18,90	9,53	44,7	30,00	4,00		88,5/20114	109,20	3,91
TL-120-1-C	38,100	22,23	25,22	11,10	54,3	35,70	4,80		127,0/28864	156,30	5,62
TL-140-1-C	44,450	25,40	25,22	12,70	59,0	41,00	5,60		172,4/39182	212,00	7,50
TL-160-1-C	50,800	28,58	31,55	14,27	69,6	47,80	6,40		226,8/51545	278,90	10,10
TL-180-1-C	57,150	35,71	35,48	17,46	78,6	53,60	7,20		280,2/63682	341,80	13,45
TL-200-1-C	63,500	39,68	37,85	19,85	87,2	60,00	8,00		353,8/80409	431,60	16,15
TL-240-1-C	76,200	47,63	47,35	23,81	103,0	72,39	9,50		510,3/115977	622,50	23,20
TL-50-2-C	15,875	10,16	9,40	5,08	41,2	15,09	2,03	18,11	44,4/10091	58,10	2,00
TL-60-2-C	19,050	11,91	12,57	5,94	51,1	18,00	2,42	22,78	63,6/14455	82,10	2,92
TL-80-2-C	25,400	15,88	15,75	7,92	65,8	24,00	3,25	29,29	113,4/25773	141,80	5,15
TL-100-2-C	31,750	19,05	18,90	9,53	80,5	30,00	4,00	35,76	177,0/40227	219,40	7,80
TL-120-2-C	38,100	22,23	25,22	11,10	99,7	35,70	4,80	45,44	254,0/57727	314,90	11,70
TL-140-2-C	44,450	25,40	25,22	12,70	107,9	41,00	5,60	48,87	344,8/78364	427,50	15,14
TL-160-2-C	50,800	28,58	31,55	14,27	128,1	47,80	6,40	58,55	453,6/103091	562,40	20,14
TL-180-2-C	57,150	35,71	35,48	17,46	144,4	53,60	7,20	65,84	560,5/127386	695,00	29,22
TL-200-2-C	63,500	39,68	37,85	19,85	158,8	60,00	8,00	71,55	707,6/160818	877,40	32,24
TL-240-2-C	76,200	47,63	47,35	23,81	190,8	72,39	9,50	87,83	1020,6/231955	1255,30	45,23
TL-50-3-C	15,875	10,16	9,40	5,08	59,3	15,09	2,03	18,11	66,6/15136	77,80	3,09
TL-60-3-C	19,050	11,91	12,57	5,94	73,9	18,00	2,42	22,78	95,4/21682	111,10	4,54
TL-80-3-C	25,400	15,88	15,75	7,92	95,1	24,00	3,25	29,29	170,1/38659	198,40	7,89
TL-100-3-C	31,750	19,05	18,90	9,53	116,3	30,00	4,00	35,76	265,5/60341	309,60	11,77
TL-120-3-C	38,100	22,23	25,22	11,10	145,2	35,70	4,80	45,44	381,0/86591	437,20	17,53
TL-140-3-C	44,450	25,40	25,22	12,70	156,8	41,00	5,60	48,87	517,2/117545	593,30	22,20
TL-160-3-C	50,800	28,58	31,55	14,27	186,6	47,80	6,40	58,55	680,4/154636	780,60	30,02
TL-180-3-C	57,150	35,71	35,48	17,46	210,2	53,60	7,20	65,84	840,7/191068	983,60	38,22
TL-200-3-C	63,500	39,68	37,85	19,85	230,4	60,00	8,00	71,55	1061,4/241227	1217,80	49,03
TL-240-3-C	76,200	47,63	47,35	23,81	278,6	72,39	9,50	87,83	1530,9/347932	1756,50	71,60



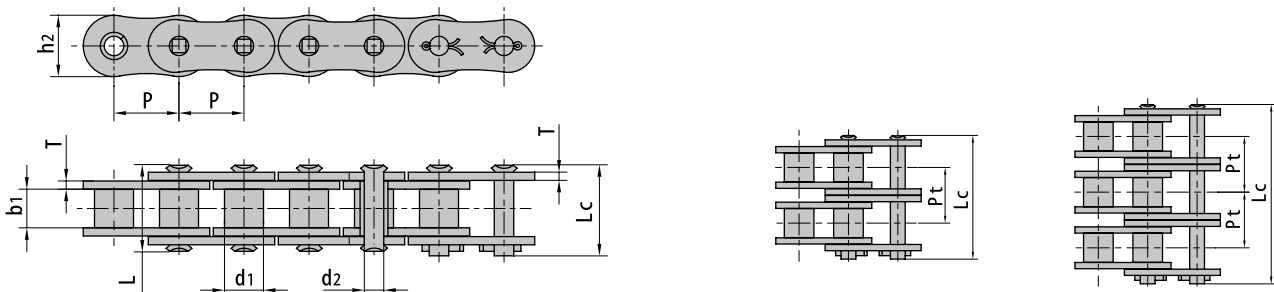
ANSI HEAVY DUTY COTTERED TYPE SHORT PITCH ROLLER CHAINS. SIMPLEX, DUPLEX AND TRIPLEX

ANSI	PITCH	ROLLER DIAMETER	WIDTH BETWEEN INNER PLATES	PIN DIAMETER	PIN LENGTH	INNER PLATE DEPTH	PLATE THICKNESS	TRANSVERSE PITCH	TENSILE STRENGTH	AVERAGE TENSILE STRENGTH	WEIGHT PER METER
Chain No.	P mm	d1 max mm	b1 min mm	d2 max mm	Lc max mm	h2 max mm	T max mm	Pt mm	Q min kN/lbf	Qo kN	q Kg/m
TL-50H-1-C	15,875	10,16	9,40	5,08	23,3	15,09	2,03		22,2/5045	29,4	1,02
TL-60H-1-C	19,050	11,91	12,57	5,94	28,3	18,00	2,42		31,8/7227	41,5	1,50
TL-80H-1-C	25,400	15,88	15,75	7,92	36,5	24,00	3,25		56,7/12886	69,4	2,60
TL-100H-1-C	31,750	19,05	18,90	9,53	44,7	30,00	4,00		88,5/20114	109,2	3,91
TL-120H-1-C	38,100	22,23	25,22	11,10	54,3	35,70	4,80		127,0/28864	156,3	5,62
TL-140H-1-C	44,450	25,40	25,22	12,70	59,0	41,00	5,60		172,4/39182	212,0	7,50
TL-160H-1-C	50,800	28,58	31,55	14,27	69,6	47,80	6,40		226,8/51545	278,9	10,10
TL-180H-1-C	57,150	35,71	35,48	17,46	78,6	53,60	7,20		280,2/63682	341,8	13,45
TL-200H-1-C	63,500	39,68	37,85	19,85	87,2	60,00	8,00		353,8/80409	431,6	16,15
TL-240H-1-C	76,200	47,63	47,35	23,81	103,0	72,39	9,50		510,3/115977	622,5	23,20
TL-50H-2-C	15,875	10,16	9,40	5,08	41,2	15,09	2,03	18,11	44,4/10091	58,1	2,00
TL-60H-2-C	19,050	11,91	12,57	5,94	51,1	18,00	2,42	22,78	63,6/14455	82,1	2,92
TL-80H-2-C	25,400	15,88	15,75	7,92	65,8	24,00	3,25	29,29	113,4/25773	141,8	5,15
TL-100H-2-C	31,750	19,05	18,90	9,53	80,5	30,00	4,00	35,76	177,0/40227	219,4	7,80
TL-120H-2-C	38,100	22,23	25,22	11,10	99,7	35,70	4,80	45,44	254,0/57727	314,9	11,70
TL-140H-2-C	44,450	25,40	25,22	12,70	107,9	41,00	5,60	48,87	344,8/78364	427,5	15,14
TL-160H-2-C	50,800	28,58	31,55	14,27	128,1	47,80	6,40	58,55	453,6/103091	562,4	20,14
TL-180H-2-C	57,150	35,71	35,48	17,46	144,4	53,60	7,20	65,84	560,5/127386	695,0	29,22
TL-200H-2-C	63,500	39,68	37,85	19,85	158,8	60,00	8,00	71,55	707,6/160818	877,4	32,24
TL-240H-2-C	76,200	47,63	47,35	23,81	190,8	72,39	9,50	87,83	1020,6/231955	1255,3	45,23
TL-50H-3-C	15,875	10,16	9,40	5,08	59,3	15,09	2,03	18,11	66,6/15136	77,8	3,09
TL-60H-3-C	19,050	11,91	12,57	5,94	73,9	18,00	2,42	22,78	95,4/21682	111,1	4,54
TL-80H-3-C	25,400	15,88	15,75	7,92	95,1	24,00	3,25	29,29	170,1/38659	198,4	7,89
TL-100H-3-C	31,750	19,05	18,90	9,53	116,3	30,00	4,00	35,76	265,5/60341	309,6	11,77
TL-120H-3-C	38,100	22,23	25,22	11,10	145,2	35,70	4,80	45,44	381,0/86591	437,2	17,53
TL-140H-3-C	44,450	25,40	25,22	12,70	156,8	41,00	5,60	48,87	517,2/117545	593,3	22,20
TL-160H-3-C	50,800	28,58	31,55	14,27	186,6	47,80	6,40	58,55	680,4/154636	780,6	30,02
TL-180H-3-C	57,150	35,71	35,48	17,46	210,2	53,60	7,20	65,84	840,7/191068	983,6	38,22
TL-200H-3-C	63,500	39,68	37,85	19,85	230,4	60,00	8,00	71,55	1061,4/241227	1217,8	49,03
TL-240H-3-C	76,200	47,63	47,35	23,81	278,6	72,39	9,50	87,83	1530,9/347932	1756,5	71,60



ANSI HIGH STRENGTH TYPE SHORT PITCH ROLLER CHAINS. SIMPLEX, DUPLEX AND TRIPLEX

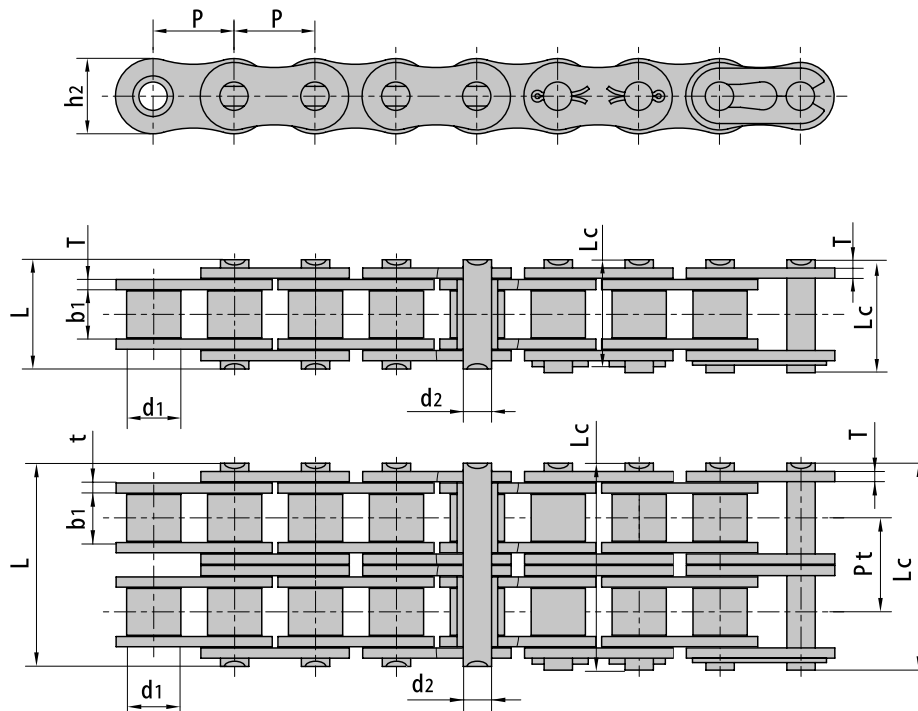
REFERENCE	PITCH	ROLLER DIAMETER	WIDTH BETWEEN INNER PLATES	PIN DIAMETER	PIN LENGTH		INNER PLATE DEPTH	PLATE THICKNESS	TRANSVERSE PITCH	TENSILE STRENGTH	AVERAGE TENSILE STRENGTH	WEIGHT PER METER
Chain No.	P mm	d1 max mm	b1 min mm	d2 max mm	L max mm	Lc max mm	h2 max mm	T mm	Pt mm	Q min kN/lbf	Qo kN	q Kg/m
TL-80HSP-1	25,40	15,88	15,75	7,94	36,2	38,9	24,1	4,00		89,2/20066	98,1	3,36
TL-100HSP-1	31,75	19,05	18,95	9,54	43,6	46,9	30,1	4,80		131,8/29649	145,0	4,90
TL-120HSP-1	38,10	22,23	25,22	11,11	53,5	57,5	36,2	5,60		176,0/39592	196,0	7,12
TL-140HSP-1	44,45	25,40	25,22	12,71	57,6	62,2	42,2	6,40		231,9/52149	255,0	8,88
TL-160HSP-1	50,80	28,58	31,55	14,29	68,2	73,0	48,2	7,20		294,5/66260	324,0	11,72
TL-200HSP-1	63,50	39,68	37,85	19,85	86,6	93,5	60,3	9,50		543,6/122295	598,0	19,80
TL-80HSP-2	25,40	15,88	15,75	7,94	68,8	72,0	24,1	4,00	32,59	178,4/40132	196,2	6,65
TL-100HSP-2	31,75	19,05	18,95	9,54	82,7	86,0	30,1	4,80	39,09	263,6/59299	290,0	9,71
TL-120HSP-2	38,10	22,23	25,22	11,11	102,4	106,4	36,2	5,60	48,87	356,4/80175	392,0	14,12
TL-140HSP-2	44,45	25,40	25,22	12,71	109,8	114,4	42,2	6,40	52,20	463,6/104300	510,0	17,38
TL-160HSP-2	50,80	28,58	31,55	14,29	130,1	134,9	48,2	7,20	61,90	588,0/132275	647,0	23,00
TL-200HSP-2	63,50	39,68	37,85	19,85	164,9	171,8	60,3	9,50	78,31	1091,0/245429	1200,0	38,50
TL-80HSP-3	25,40	15,88	15,75	7,94	101,4	104,6	24,1	4,00	32,59	267,6/60200	294,3	9,95
TL-100HSP-3	31,75	19,05	18,95	9,54	121,8	125,1	30,1	4,80	39,09	395,4/88948	435,0	14,53
TL-120HSP-3	38,10	22,23	25,22	11,11	151,2	155,2	36,2	5,60	48,87	534,5/120250	588,0	21,12
TL-140HSP-3	44,45	25,40	25,22	12,71	162,0	166,6	42,2	6,40	52,20	695,5/156448	765,0	25,88
TL-160HSP-3	50,80	28,58	31,55	14,29	192,0	196,8	48,2	7,20	61,90	882,7/198576	971,0	34,22
TL-200HSP-3	63,50	39,68	37,85	19,85	243,2	250,1	60,3	9,50	78,31	1627,3/366073	1790,0	57,29



ISO/DIN HIGH PERFORMANCE ROLLER CHAIN

REFERENCE	PITCH	ROLLER DIAMETER	WIDTH BETWEEN INNER PLATES	PIN DIAMETER	PIN LENGTH		INNER PLATE DEPTH	PLATE THICKNESS	TRANSVERSE PITCH	TENSILE STRENGTH	AVERAGE TENSILE STRENGTH	WEIGHT PER METER
Chain No.	P mm	d1 max mm	b1 min mm	d2 max mm	L max mm	Lc max mm	h2 max mm	t/T mm	Pt mm	Q min kN/lbf	Qo kN	q Kg/m
*TL-06BX3-1	9,525	6,35	5,72	3,28	13,15	14,10	8,20	1,3		10,0/2248	11,00	0,43
TL-08BX3-1	12,700	8,51	7,75	4,45	16,70	18,20	11,80	1,6		21,0/4721	23,10	0,74
TL-10BX3-1	15,875	10,16	9,65	5,08	19,50	20,90	14,70	1,7		28,5/6407	31,35	1,00
TL-12BX3-1	19,050	12,07	11,68	5,72	22,50	24,20	16,00	1,85		33,0/7418	36,30	1,23
TL-16BX3-1	25,400	15,88	17,02	8,28	36,10	37,40	21,00	4.15/3.1		70,0/15736	77,00	2,90
TL-20BX3-1	31,750	19,05	19,56	10,19	41,30	45,00	26,50	4.5/3.5		106,7/23986	117,37	3,96
TL-24BX3-1	38,100	25,40	25,40	14,63	53,40	57,80	33,20	6.0/4.8		176,0/39565	193,60	7,60
TL-28BX3-1	44,450	27,94	30,99	15,90	65,10	69,50	36,70	7.5/6.0		230,0/51704	253,00	9,10
TL-32BX3-1	50,800	29,21	30,99	17,81	66,00	71,00	42,00	7.0/6.0		280,0/62944	308,00	10,97
TL-06BX3-2	9,525	6,35	5,72	3,28	23,40	24,40	8,20	1,3	10,24	18,5/4159	20,35	0,82
TL-08BX3-2	12,700	8,51	7,75	4,45	31,00	32,20	11,80	1,6	13,92	36,0/8093	39,60	1,43
TL-10BX3-2	15,875	10,16	9,65	5,08	36,10	37,50	14,70	1,7	16,59	55,6/12499	61,16	1,97
TL-12BX3-2	19,050	12,07	11,68	5,72	42,00	43,60	16,00	1,85	19,46	63,5/14725	69,85	2,47
TL-16BX3-2	25,400	15,88	17,02	8,28	68,00	69,30	21,00	4.15/3.1	31,88	121,9/27403	134,90	5,80
TL-20BX3-2	31,750	19,05	19,56	10,19	7,80	81,50	26,50	4.5/3.5	36,45	211,2/47478	232,32	7,70
TL-24BX3-2	38,100	25,40	25,40	14,63	101,70	106,20	33,20	6.0/4.8	48,36	308/69238	338,80	14,34
TL-28BX3-2	44,450	27,94	30,99	15,90	124,60	129,10	36,70	7.5/6.0	59,56	414,0/93067	455,40	17,76
TL-32BX3-2	50,800	29,21	30,99	17,81	124,60	129,60	42,00	7.0/6.0	58,55	504,0/113299	554,40	22,47

* Straight side plates.



CORROSION RESISTANT ZINC- PLATED ROLLER CHAINS

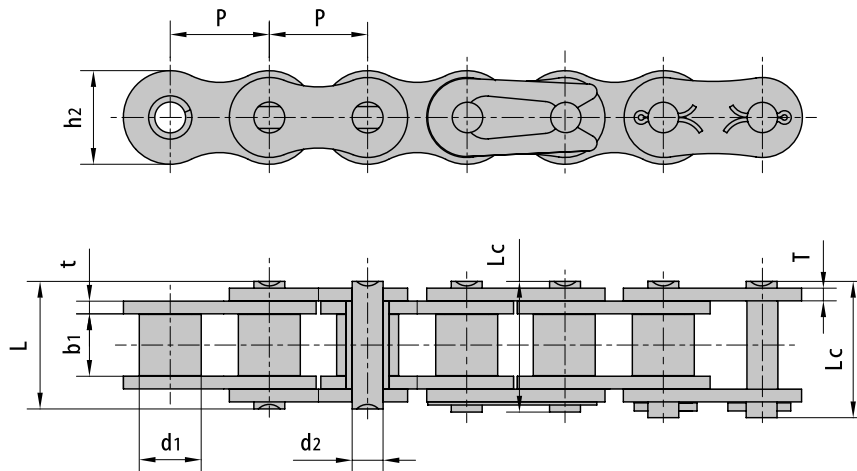
REFERENCE	PITCH	ROLLER DIAMETER	WIDTH BETWEEN INNER PLATES	PIN DIAMETER	PIN LENGTH		INNER PLATE DEPTH	PLATE THICKNESS	BREAKING LOAD	WEIGHT PER METER
Chain No.	P mm	d1 max mm	b1 min mm	d2 max mm	L max mm	Lc max mm	h2 max mm	t/T max mm	Q kN/lbf	q Kg/m
*TL-25ZP	6,350	3,30	3,18	2,31	7,90	8,40	6,00	0,80	3,50/795	0,15
*TL-35ZP	9,525	5,08	4,77	3,58	12,40	13,17	9,00	1,30	7,90/1795	0,33
TL-41ZP	12,700	7,77	6,25	3,58	13,75	15,00	9,91	1,30	6,67/1516	0,41
TL-40ZP	12,700	7,95	7,85	3,96	16,60	17,80	12,00	1,50	14,10/3205	0,62
TL-50ZP	15,875	10,16	9,40	5,08	20,70	22,20	15,09	2,03	22,20/5045	1,02
TL-60ZP	19,050	11,91	12,57	5,94	25,90	27,70	18,00	2,42	31,80/7227	1,50
TL-80ZP	25,400	15,88	15,75	7,92	32,70	35,00	24,00	3,25	56,70/12886	2,60
TL-100ZP	31,750	19,05	18,90	9,53	40,40	44,70	30,00	4,00	88,50/20114	3,91
TL-120ZP	38,100	22,23	25,22	11,10	50,30	54,30	35,70	4,80	127,00/28864	5,62
TL-140ZP	44,450	25,40	25,22	12,70	54,40	59,00	41,00	5,60	172,40/39182	7,50
TL-160ZP	50,800	28,58	31,55	14,27	64,80	69,60	47,80	6,40	226,80/51545	10,10
TL-04BZP	6,000	4,00	2,80	1,85	6,80	7,80	5,00	0,60	3,00/682	0,11
TL-05BZP	8,000	5,00	3,00	2,31	8,20	8,90	7,10	0,80	5,00/1136	0,20
#TL-06BZP	9,525	6,35	5,72	3,28	13,15	14,10	8,20	1,30	9,00/2045	0,41
TL-08BZP	12,700	8,51	7,75	4,45	16,70	18,20	11,80	1,60	18,00/4091	0,69
TL-10BZP	15,875	10,16	9,65	5,08	19,50	20,90	14,70	1,70	22,40/5091	0,93
TL-12BZP	19,050	12,07	11,68	5,72	22,50	24,20	16,00	1,85	29,00/6591	1,15
TL-16BZP	25,400	15,88	17,02	8,28	36,10	37,40	21,00	4.15/3.1	60,00/13636	2,71
TL-20BZP	31,750	19,05	19,56	10,19	41,30	45,00	26,40	4.5/3.5	95,00/21591	3,70
TL-24BZP	38,100	25,40	25,40	14,63	53,40	57,80	33,20	6.0/4.8	160,0/36364	7,10
TL-28BZP	44,450	27,94	30,99	15,90	65,10	69,50	36,70	7.5/6.0	200,0/45455	8,50
TL-32BZP	50,800	29,21	30,99	17,81	66,00	71,00	42,00	7.0/6.0	250,0/56818	10,25

* Bush chain. d1 indicates the bush outside diameter.

Straight side plates.

Note: Duplex & Triplex zinc plated chains are available in all sizes.

Double pitch zinc plated conveyor chains are available upon request.



CORROSION RESISTANT NICKEL-PLATED ROLLER CHAINS

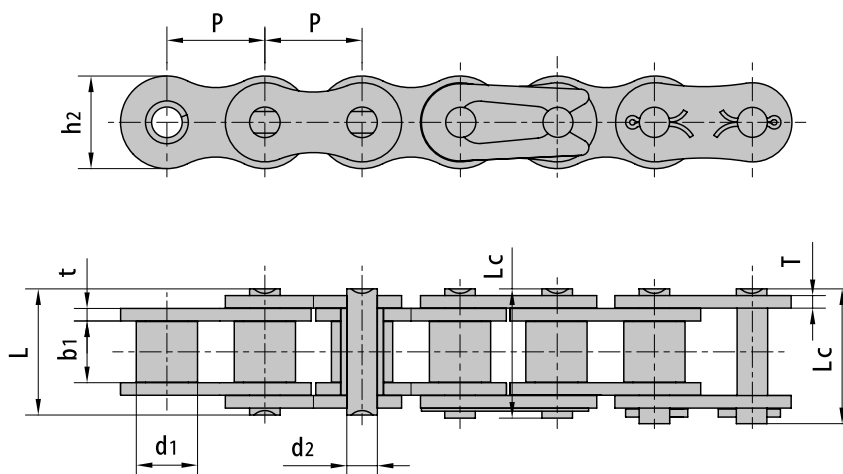
REFERENCE	PITCH	ROLLER DIAMETER	WIDTH BETWEEN INNER PLATES	PIN DIAMETER	PIN LENGTH		INNER PLATE DEPTH	PLATE THICKNESS	BREAKING LOAD	WEIGHT PER METER
Chain No.	P mm	d1 max mm	b1 min mm	d2 max mm	L max mm	Lc max mm	h2 max mm	t/T max mm	Q kN/lbf	q Kg/m
*TL-25NP	6,350	3,30	3,18	2,31	7,90	8,40	6,00	0,80	3,50/795	0,15
*TL-35NP	9,525	5,08	4,77	3,58	12,40	13,17	9,00	1,30	7,90/1795	0,33
TL-41NP	12,700	7,77	6,25	3,58	13,75	15,00	9,91	1,30	6,67/1516	0,41
TL-40NP	12,700	7,95	7,85	3,96	16,60	17,80	12,00	1,50	14,10/3205	0,62
TL-50NP	15,875	10,16	9,40	5,08	20,70	22,20	15,09	2,03	22,20/5045	1,02
TL-60NP	19,050	11,91	12,57	5,94	25,90	27,70	18,00	2,42	31,80/7227	1,50
TL-80NP	25,400	15,88	15,75	7,92	32,70	35,00	24,00	3,25	56,70/12886	2,60
TL-100NP	31,750	19,05	18,90	9,53	40,40	44,70	30,00	4,00	88,50/20114	3,91
TL-120NP	38,100	22,23	25,22	11,10	50,30	54,30	35,70	4,80	127,00/28864	5,62
TL-140NP	44,450	25,40	25,22	12,70	54,40	59,00	41,00	5,60	172,40/39182	7,50
TL-160NP	50,800	28,58	31,55	14,27	64,80	69,60	47,80	6,40	226,80/51545	10,10
TL-04BNP	6,000	4,00	2,80	1,85	6,80	7,80	5,00	0,60	3,00/682	0,11
TL-05BNP	8,000	5,00	3,00	2,31	8,20	8,90	7,10	0,80	5,00/1136	0,20
#TL-06BNP	9,525	6,35	5,72	3,28	13,15	14,10	8,20	1,30	9,00/2045	0,41
TL-08BNP	12,700	8,51	7,75	4,45	16,70	18,20	11,80	1,60	18,00/4091	0,69
TL-10BNP	15,875	10,16	9,65	5,08	19,50	20,90	14,70	1,70	22,40/5091	0,93
TL-12BNP	19,050	12,07	11,68	5,72	22,50	24,20	16,00	1,85	29,00/6591	1,15
TL-16BNP	25,400	15,88	17,02	8,28	36,10	37,40	21,00	4.15/3.1	60,00/13636	2,71
TL-20BNP	31,750	19,05	19,56	10,19	41,30	45,00	26,40	4.5/3.5	95,00/21591	3,70
TL-24BNP	38,100	25,40	25,40	14,63	53,40	57,80	33,20	6.0/4.8	160,0/36364	7,10
TL-28BNP	44,450	27,94	30,99	15,90	65,10	69,50	36,70	7.5/6.0	200,00/45455	8,50
TL-32BNP	50,800	29,21	30,99	17,81	66,00	71,00	42,00	7.0/6.0	250,00/56818	10,25

* Bush chain. d1 indicates the bush outside diameter.

Straight side plates.

Note: Duplex & Triplex nickel plated chains are available in all sizes.

Double pitch nickel plated conveyor chains are available upon request.



CORROSION RESISTANT DACROMET-PLATED ROLLER CHAINS

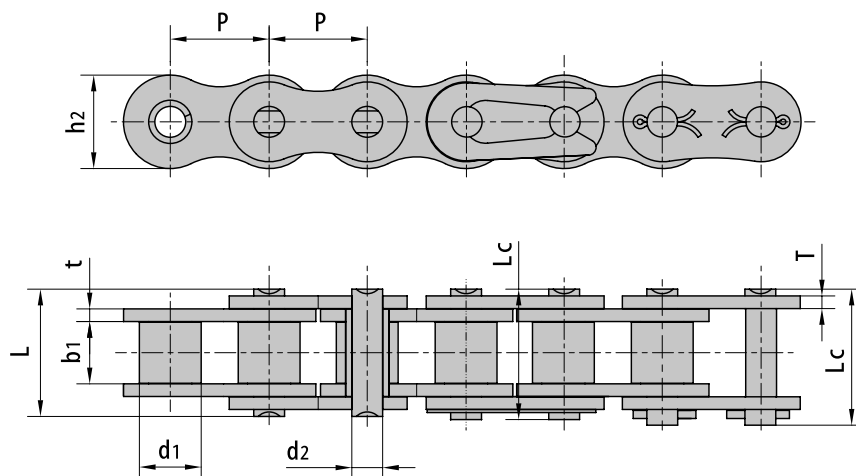
REFERENCE	PITCH	ROLLER DIAMETER	WIDTH BETWEEN INNER PLATES	PIN DIAMETER	PIN LENGTH		INNER PLATE DEPTH	PLATE THICKNESS	BREAKING LOAD	WEIGHT PER METER
Chain No.	P mm	d1 max mm	b1 min mm	d2 max mm	L max mm	Lc max mm	h2 max mm	t/T max mm	Q kN/lbf	q Kg/m
*TL-25DR	6,350	3,30	3,18	2,31	7,90	8,40	6,00	0,80	3,50/795	0,15
*TL-35DR	9,525	5,08	4,77	3,58	12,40	13,17	9,00	1,30	7,90/1795	0,33
TL-41DR	12,700	7,77	6,25	3,58	13,75	15,00	9,91	1,30	6,67/1516	0,41
TL-40DR	12,700	7,95	7,85	3,96	16,60	17,80	12,00	1,50	14,10/3205	0,62
TL-50DR	15,875	10,16	9,40	5,08	20,70	22,20	15,09	2,03	22,20/5045	1,02
TL-60DR	19,050	11,91	12,57	5,94	25,90	27,70	18,00	2,42	31,80/7227	1,50
TL-80DR	25,400	15,88	15,75	7,92	32,70	35,00	24,00	3,25	56,70/12886	2,60
TL-100DR	31,750	19,05	18,90	9,53	40,40	44,70	30,00	4,00	88,50/20114	3,91
TL-120DR	38,100	22,23	25,22	11,10	50,30	54,30	35,70	4,80	127,00/28864	5,62
TL-140DR	44,450	25,40	25,22	12,70	54,40	59,00	41,00	5,60	172,40/39182	7,50
TL-160DR	50,800	28,58	31,55	14,27	64,80	69,60	47,80	6,40	226,80/51545	10,10
TL-04BDR	6,000	4,00	2,80	1,85	6,80	7,80	5,00	0,60	3,00/682	0,11
TL-05BDR	8,000	5,00	3,00	2,31	8,20	8,90	7,10	0,80	5,00/1136	0,20
#TL-06BDR	9,525	6,35	5,72	3,28	13,15	14,10	8,20	1,30	9,00/2045	0,41
TL-08BDR	12,700	8,51	7,75	4,45	16,70	18,20	11,80	1,60	18,00/4091	0,69
TL-10BDR	15,875	10,16	9,65	5,08	19,50	20,90	14,70	1,70	22,40/5091	0,93
TL-12BDR	19,050	12,07	11,68	5,72	22,50	24,20	16,00	1,85	29,00/6591	1,15
TL-16BDR	25,400	15,88	17,02	8,28	36,10	37,40	21,00	4.15/3.1	60,00/13636	2,71
TL-20BDR	31,750	19,05	19,56	10,19	41,30	45,00	26,40	4.5/3.5	95,00/21591	3,70
TL-24BDR	38,100	25,40	25,40	14,63	53,40	57,80	33,20	6.0/4.8	160,00/36364	7,10
TL-28BDR	44,450	27,94	30,99	15,90	65,10	69,50	36,70	7.5/6.0	200,00/45455	8,50
TL-32BDR	50,800	29,21	30,99	17,81	66,00	71,00	42,00	7.0/6.0	250,00/56818	10,25

* Bush chain. d1 indicates the bush outside diameter.

Straight side plates.

Note: Duplex & Triplex nickel plated chains are available in all sizes.

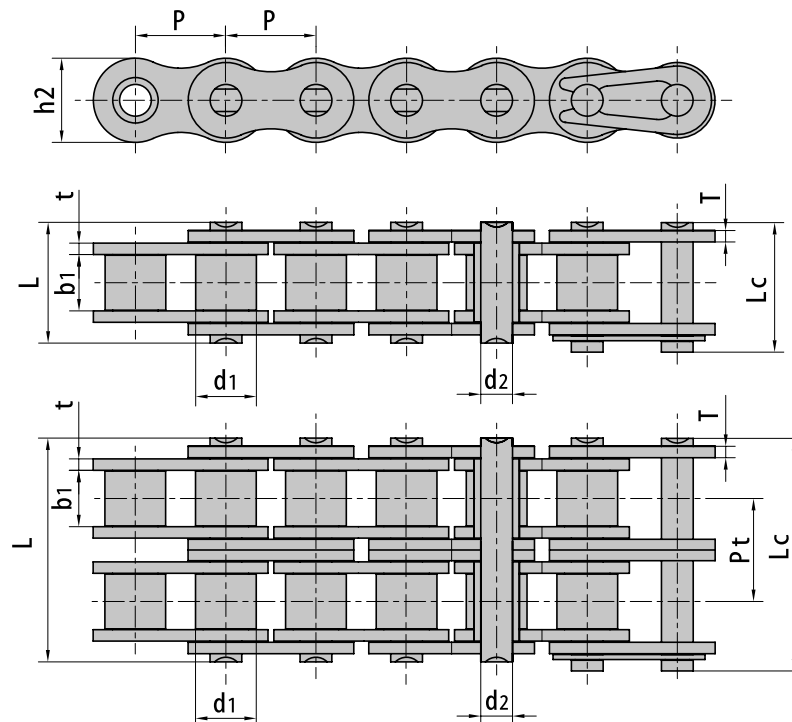
Double pitch nickel plated conveyor chains are available upon request.



ANSI SELF-LUBRICATION ROLLER CHAINS

REFERENCE	PITCH	ROLLER DIAMETER	WIDTH BETWEEN INNER PLATES	PIN DIAMETER	PIN LENGTH		INNER PLATE DEPTH	PLATE THICKNESS	TRANSVERSE PITCH	TENSILE STRENGTH	WEIGHT PER METER
Chain No.	P mm	d1 max mm	b1 min mm	d2 max mm	L max mm	Lc max mm	h2 max mm	t/T max mm	Pt mm	Q min kN/lbf	q Kg/m
TL-40SLR	12,700	7,95	7,85	3,96	16,60	17,80	12,00	1,50		14,1/3205	0,62
TL-40SLR-2	12,700	7,95	7,85	3,96	31,00	32,20	12,00	1,50	14,38	28,2/6409	1,12
TL-40HSLR	12,700	7,95	7,85	3,96	18,80	19,90	12,00	2,03		13,8/3102	0,78
TL-40HSLR-2	12,700	7,95	7,85	3,96	35,50	36,70	12,00	2,03	16,55	27,6/6204	1,55
TL-40HSLRF1	12,700	7,92	7,85	3,96	17,70	18,90	11,70	2,03/1,5		15,7/3529	0,71
TL-50SLR	15,875	10,16	9,40	5,08	20,70	22,20	15,09	2,03		22,0/5045	1,02
TL-50SLR-2	15,875	10,16	9,40	5,08	38,90	40,40	15,09	2,03	18,11	44,4/10091	2,00
TL-50HSLR-2	15,875	10,16	9,60	5,08	42,00	43,10	15,09	2,42	19,70	43,6/9801	2,50
#TL-C50SLR	15,875	10,16	9,40	5,08	20,70	22,20	15,09	2,03		21,8/4901	1,21
TL-60SLR	19,050	11,91	12,57	5,94	27,50	29,30	18,00	3,25/2,42		34,2/7227	1,65
TL-60SLR-2	19,050	11,91	12,57	5,94	50,30	52,10	18,00	2,42	22,78	68,4/15544	3,21
TL-12ASLR-3	19,050	11,91	12,57	5,94	71,50	73,30	18,00	2,42	22,78	93,4/20996	4,57
TL-60HSLR	19,050	11,91	12,57	5,94	29,20	31,00	18,00	3,25		31,8/7727	1,95
TL-60HSLR-2	19,050	11,91	12,57	5,94	55,30	57,10	18,00	3,25	26,11	63,6/14297	3,74
#TL-C60SLR	19,050	11,91	12,57	5,94	25,90	27,70	18,20	2,42		31,8/7227	1,83
#TL-C60SLR-2	19,050	11,91	12,57	5,94	48,80	50,50	18,20	2,42	22,78	66,3/14904	3,56
TL-80SLR	25,400	15,88	15,75	7,92	32,70	35,00	24,00	3,25		56,7/12886	2,60
TL-80SLR-2	25,400	15,88	15,75	7,92	62,70	64,30	24,00	3,25	29,29	113,4/25773	5,15
TL-80HSLR	25,400	15,88	15,75	7,92	36,20	38,90	24,00	4,00		56,7/12888	3,03
#TL-C80SLR	25,400	15,88	15,75	7,92	32,70	35,00	24,00	3,25		56,7/12886	3,10
TL-100SLR	31,750	19,05	18,90	9,53	40,40	44,70	30,00	4,00		86,7/19699	3,94
TL-100SLR-2	31,750	19,05	18,90	9,53	76,40	80,50	30,00	4,00	35,76	173,4/39399	7,89
TL-C20ASLR-2	31,750	19,05	18,90	9,53	76,40	80,50	30,00	4,00	35,76	173,5/39003	9,06
TL-20ASLR-3	31,750	19,05	18,90	9,53	112,20	116,30	30,00	4,00	35,76	261,0/58673	11,87

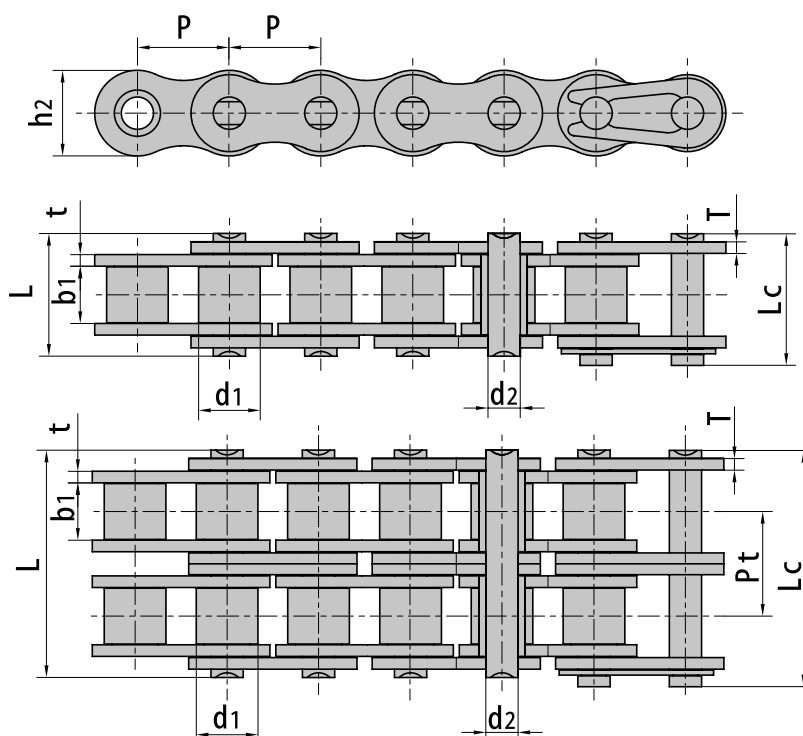
Straight side plates.



ISO SELF-LUBRICATION ROLLER CHAINS

REFERENCE	PITCH	ROLLER DIAMETER	WIDTH BETWEEN INNER PLATES	PIN DIAMETER	PIN LENGTH		INNER PLATE DEPTH	PLATE THICKNESS	TRANSVERSE PITCH	TENSILE STRENGTH	WEIGHT PER METER
Chain No.	P mm	d1 max mm	b1 min mm	d2 max mm	L max mm	Lc max mm	h2 max mm	t/T max mm	Pt mm	Q min kN/lbf	q Kg/m
TL-06BSLR	9,525	6,35	5,72	3,28	13,15	14,10	8,20	1,30		9,0/2045	0,41
TL-08BSLR	12,700	8,51	7,75	4,45	16,70	18,20	11,80	1,60		18,0/4091	0,69
TL-08BSLR-2	12,700	8,51	7,75	4,45	31,20	32,20	11,80	1,60	13,92	32,0/7273	1,34
TL-08BSLR-3	12,700	8,51	7,75	4,45	45,10	46,10	11,80	1,60	13,92	44,5/10004	2,07
#TL-C08BSLR	12,700	8,51	7,75	4,45	16,70	18,20	11,80	1,60		18,0/4046	0,78
#TL-C08BSLR-2	12,700	8,51	7,75	4,45	31,00	32,20	11,80	1,60	13,92	32,0/7194	1,55
TL-08BSLRF1	12,700	8,51	7,75	4,45	17,30	18,70	11,80	1,60		18,0/4091	0,72
TL-10BSLR	15,875	10,16	9,65	5,08	19,50	20,90	14,70	1,70		22,4/5091	0,93
TL-10BSLR-2	15,875	10,16	9,65	5,08	36,10	37,50	14,70	1,70	16,59	44,5/10114	1,84
TL-10BSLR-3	15,875	10,16	9,65	5,08	52,70	54,10	14,70	1,70	16,59	66,7/14994	2,52
#TL-C10BSLR	15,875	10,16	9,65	5,08	19,50	20,90	14,70	1,70		22,4/5089	1,06
#TL-C10BSLR-2	15,875	10,16	9,65	5,08	36,10	37,50	14,70	1,70	16,59	36,5/8205	2,08
TL-10BSLRF1	15,875	10,16	9,65	5,08	19,90	21,60	14,70	1,70		22,4/5091	0,97
TL-12BSLR	19,050	12,07	11,68	5,72	22,50	24,20	16,00	1,85		29,0/6591	1,15
TL-12BSLR-2	19,050	12,07	11,68	5,72	42,00	43,60	16,00	1,85	19,46	57,8/13136	2,31
TL-12BSLR-3	19,050	12,07	11,68	5,72	61,50	63,10	16,00	1,85	19,46	86,7/19490	3,50
#TL-C12BSLR	19,050	12,07	11,68	5,72	22,90	24,90	16,00	1,85		29,0/6589	1,32
#TL-C12BSLR-2	19,050	12,07	11,68	5,72	42,00	43,60	16,00	1,85	19,46	57,8/13136	2,31
TL-12BSLRF1	19,050	12,07	11,68	5,72	22,90	24,70	16,00	1,85		29,0/6591	1,19
TL-16BSLR	25,400	15,88	17,02	8,28	36,10	37,40	21,00	4,15/3,1		60,0/13636	2,71
TL-16BSLR-2	25,400	15,88	17,02	8,28	68,00	69,30	21,00	4,15/3,1	31,88	106,0/24091	5,42
#TL-C16BSLR	25,400	15,88	17,02	8,28	36,10	39,10	21,00	4,15/3,1		60,0/13638	2,92
#TL-C16BSLR-2	25,400	15,88	17,02	8,28	68,00	71,00	21,00	4,15/3,1	31,88	106,08/23829	5,87
#TL-C16BSLR-3	25,400	15,88	17,02	8,28	99,80	102,90	21,00	4,15/3,1	31,88	160/35968	8,77
TL-16BSLRF1	25,400	15,88	17,02	8,28	36,70	39,70	21,00	4,15/3,1		60,0/13636	2,73
TL-16BSLRF4	25,400	15,88	17,02	8,28	36,10	39,10	21,00	4,15/3,1		60,0/13636	2,77
#TL-C16BF1SLR	25,400	15,88	17,02	8,28	36,10	37,40	24,00	4,15/3,1		60,0/13633	3,38
#TL-C16BSLRF1	25,400	15,88	17,02	8,28	36,70	39,70	21,00	4,15/3,1		60,0/13633	2,98
#TL-C16BSLRF2	25,400	15,88	17,02	8,28	36,70	38,20	24,00	4,15/3,1		60,0/13633	3,39
TL-24BSLR	38,100	25,40	25,40	14,63	53,40	57,80	33,20	6,0/4,8		160/35968	7,08
TL-24BSLR-2	38,100	25,40	25,40	14,63	101,70	106,20	33,20	6,0/4,8	48,36	319,2/71756	12,43

Straight side plates.

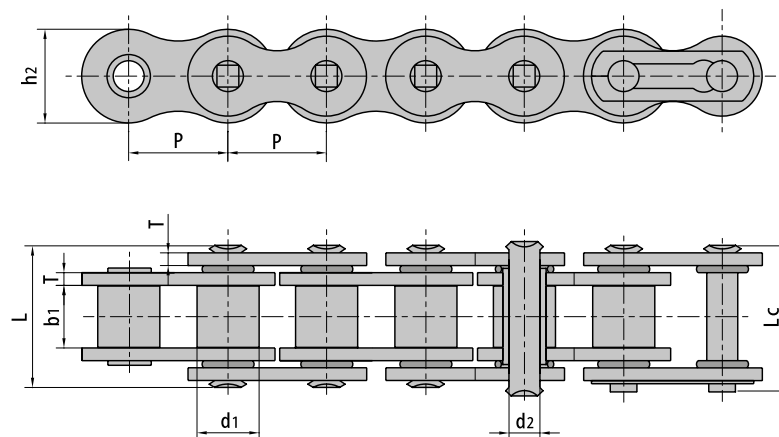


O-RING ROLLER CHAINS

REFERENCE	PITCH	ROLLER DIAMETER	WIDTH BETWEEN INNER PLATES	PIN DIAMETER	PIN LENGTH		INNER PLATE DEPTH	PLATE THICKNESS	TENSILE STRENGTH	AVERAGE TENSILE STRENGTH	WEIGHT PER METER
Chain No.	P mm	d1 max mm	b1 min mm	d2 max mm	L max mm	Lc max mm	h2 max mm	t/T max mm	Q min kN/lbf	Qo kN	q Kg/m
*TL-35-OR	9,525	5,08	4,77	3,58	14,4	15,5	9,00	1,30	7,9/1776	9,40	0,39
TL-40-OR	12,700	7,95	7,85	3,96	18,3	19,6	12,00	1,50	14,1/3205	17,50	0,67
TL-50-OR	15,875	10,16	9,40	5,08	23,1	24,8	15,09	2,03	22,2/5045	29,40	1,19
TL-50H-OR	15,875	10,16	9,40	5,08	24,7	26,4	15,09	2,42	22,2/4991	26,60	1,18
TL-60-OR	19,050	11,91	12,57	5,94	28,5	30,4	18,00	2,42	31,8/7227	41,50	1,62
TL-60-ORF1	19,050	11,91	9,70	5,94	25,5	27,3	18,00	2,42	31,8/7149	38,10	1,49
TL-60H-OR	19,050	11,91	12,57	5,94	31,7	34,2	18,00	3,25	31,8/7149	38,10	1,97
TL-60HT-OR	19,050	11,91	12,57	5,94	31,7	33,2	18,00	3,25	45,0/10116	48,00	1,96
TL-80-OR	25,400	15,88	15,75	7,92	35,6	37,3	24,00	3,25	56,7/12886	69,40	2,70
TL-100-OR	31,750	19,05	18,95	9,53	43,3	47,0	30,00	4,00	88,5/20114	109,20	3,91
TL-120-OR	38,100	22,23	25,22	11,11	54,0	57,5	35,70	4,80	127,0/28864	156,30	6,34
TL-160H-OR	50,800	28,58	31,55	14,27	72,6	77,3	47,80	7,20	222,4/49996	266,80	11,13
TL-200H-OR	63,500	39,68	37,85	19,85	91,6	98,5	60,00	9,50	347,0/78006	416,40	19,20
#TL-06B-OR	9,525	6,35	5,72	3,28	14,4	15,6	8,20	1,30	9,0/2023	10,40	0,45
TL-08B-OR	12,700	8,51	7,75	4,45	18,8	19,9	11,80	1,60	18,0/4091	19,40	0,74
TL-10B-OR	15,875	10,16	9,65	5,08	22,0	23,3	14,70	1,70	19,0/4271	22,80	1,00
TL-12B-OR	19,050	12,07	11,68	5,72	24,9	26,8	16,00	1,85	29,0/6519	32,20	1,27
TL-16B-OR	25,400	15,88	17,02	8,28	39,50	40,90	21,00	4,15/3,1	60,0/13488	72,00	2,85
TL-16BH-OR	25,400	15,88	17,02	8,90	39,50	40,90	24,00	4,0/3,1	65,0/14612	78,00	3,19
TL-20B-OR	31,750	19,05	19,56	10,19	44,50	48,50	26,40	4,5/3,5	95,0/21356	106,70	4,04

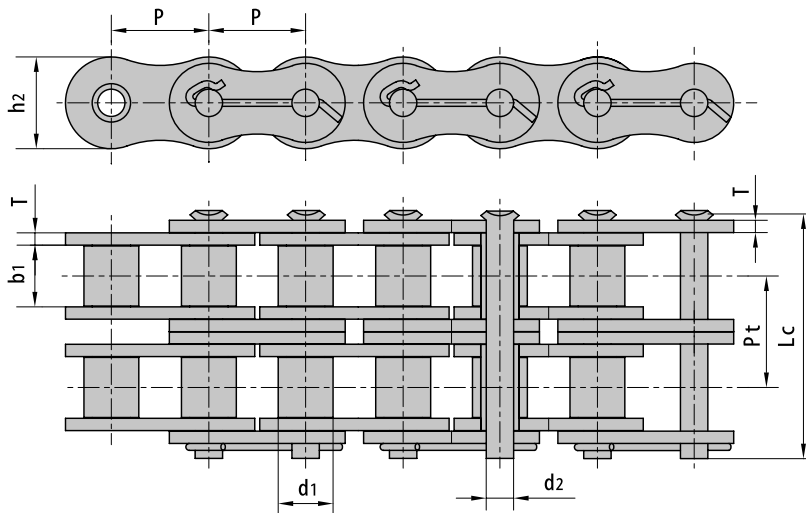
* Bush chain. d1 indicates the bush outside diameter.

Straight side plates.



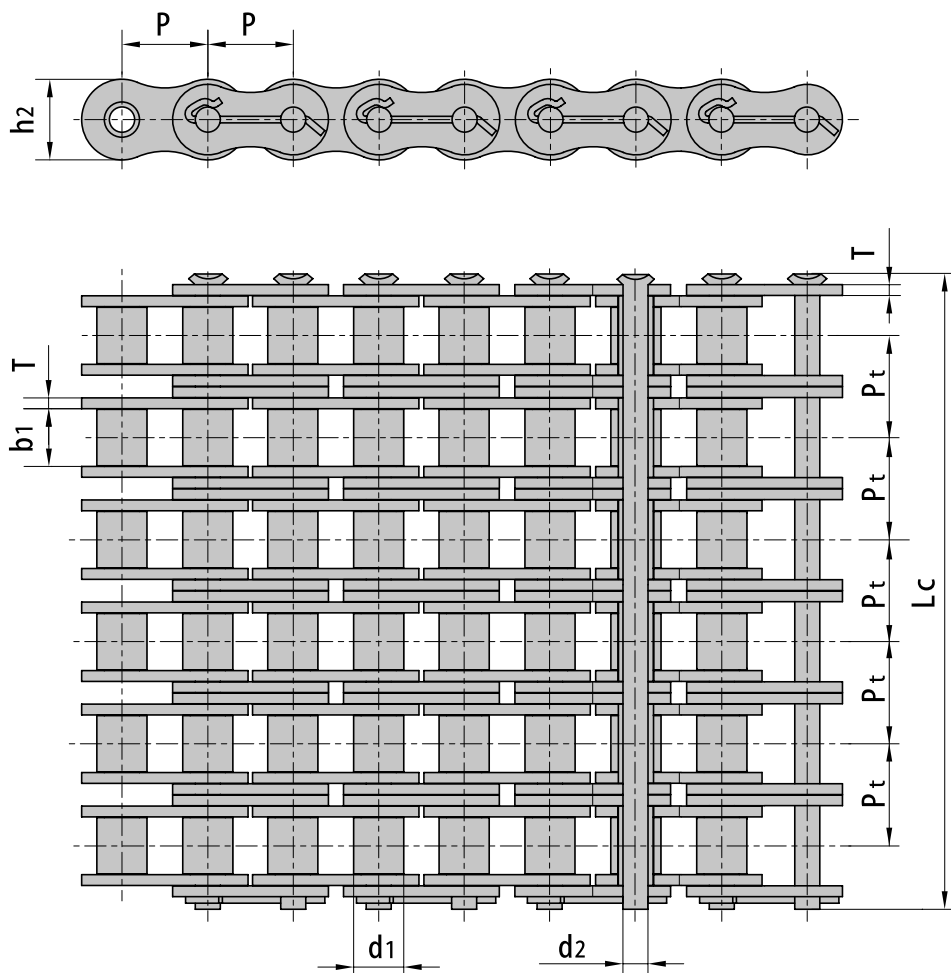
ANSI OIL FIELD CHAINS. SIMPLEX, DUPLEX, TRIPLEX

ANSI	PITCH		ROLLER DIAMETER	WIDTH BETWEEN INNER PLATES	PIN DIAMETER	PIN LENGTH	INNER PLATE DEPTH	PLATE THICKNESS	TRANSVERSE PITCH	TENSILE STRENGTH	WEIGHT PER METER
	Chain No.	P mm									
TL-80-OF-1	25,400	1	15,88	15,75	7,92	37,55	24,10	3,25		55,6/12500	2,60
TL-100-OF-1	31,750	1 1/4	19,05	18,90	9,53	44,30	30,00	4,00		86,87/19500	3,91
TL-120-OF-1	38,100	1 1/2	22,23	25,22	11,10	54,40	36,20	4,80		125,1/28100	5,62
TL-140-OF-1	44,450	1 3/4	25,40	25,22	12,70	59,00	42,20	5,60		170,27/38300	7,50
TL-160-OF-1	50,800	2	28,58	31,55	14,27	69,60	48,20	6,40		222,4/50000	10,10
TL-180-OF-1	57,150	2 1/4	35,71	35,48	17,46	78,60	54,30	7,20		281,47/63300	13,45
TL-200-OF-1	63,500	2 1/2	39,68	37,85	19,85	87,20	60,30	8,00		347,5/78100	16,15
TL-80-OF-2	25,400	1	15,88	15,75	7,92	66,80	24,10	3,25	29,29	111,2/25000	5,15
TL-100-OF-2	31,750	1 1/4	19,05	18,90	9,53	80,50	30,10	4,00	35,76	173,74/39000	7,80
TL-120-OF-2	38,100	1 1/2	22,23	25,22	11,10	99,70	36,20	4,80	45,44	250,2/56200	11,70
TL-140-OF-2	44,450	1 3/4	25,40	25,22	12,70	107,80	42,20	5,60	48,87	340,54/76600	15,14
TL-160-OF-2	50,800	2	28,58	31,55	14,27	127,50	48,20	6,40	58,55	444,8/100000	20,14
TL-180-OF-2	57,150	2 1/4	35,71	35,48	17,46	144,40	54,30	7,20	65,84	562,94/126600	29,22
TL-200-OF-2	63,500	2 1/2	39,68	37,85	19,85	158,80	60,30	8,00	71,55	695,0/156200	32,24
TL-80-OF-3	25,400	1	15,88	15,75	7,92	96,10	24,10	3,25	29,29	166,8/37500	7,89
TL-100-OF-3	31,750	1 1/4	19,05	18,90	9,53	116,30	30,10	4,00	35,76	260,61/58500	11,77
TL-120-OF-3	38,100	1 1/2	22,23	25,22	11,10	145,20	36,20	4,80	45,44	375,3/84300	17,53
TL-140-OF-3	44,450	1 3/4	25,40	25,22	12,70	156,80	42,20	5,60	48,87	510,81/114900	22,20
TL-160-OF-3	50,800	2	28,58	31,55	14,27	186,60	48,20	6,40	58,55	667,2/150000	30,02
TL-180-OF-3	57,150	2 1/4	35,71	35,48	17,46	210,20	54,30	7,20	65,84	844,41/189900	38,22
TL-200-OF-3	63,500	2 1/2	39,68	37,85	19,85	230,40	60,30	8,00	71,55	1042,5/234300	49,03
TL-200H-OF-3	63,500	2 1/2	39,68	37,85	19,85	249,60	60,30	9,50	78,31	1042,5/234300	56,74



ANSI OIL FIELD CHAINS. MULTIPLEX

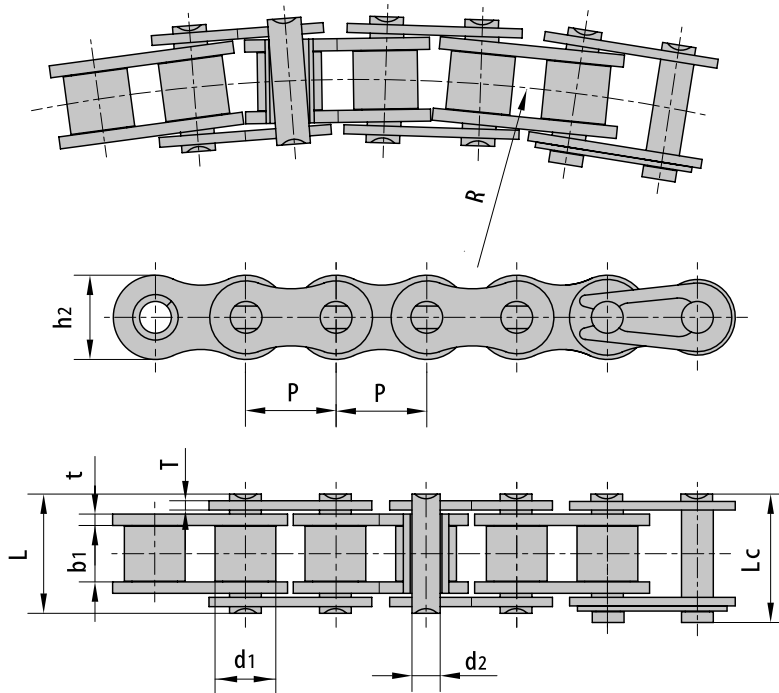
ANSI	PITCH		ROLLER DIAMETER	WIDTH BETWEEN INNER PLATES	PIN DIAMETER	PIN LENGTH	INNER PLATE DEPTH	PLATE THICKNESS	TRANSVERSE PITCH	TENSILE STRENGTH	WEIGHT PER METER
	Chain No.	P mm									
TL-80-4-OF	25,400	1	15,88	15,75	7,92	122,90	24,10	3,25	29,29	222,4/50000	10,24
TL-100-4-OF	31,750	1 1/4	19,05	18,90	9,53	151,50	30,10	4,00	35,76	347,48/78000	15,39
TL-120-4-OF	38,100	1 1/2	22,23	25,22	11,10	190,60	36,20	4,80	45,44	500,4/112400	22,19
TL-140-4-OF	44,450	1 3/4	25,40	25,22	12,70	205,70	42,20	5,60	48,87	681,08/153200	29,63
TL-160-4-OF	50,800	2	28,58	31,55	14,27	245,20	48,20	6,40	58,55	889,6/200000	39,94
TL-200-4-OF	63,500	2 1/2	39,68	37,85	19,85	302,00	60,30	8,00	71,55	1390,0/312400	63,60
TL-80-5-OF	25,400	1	15,88	15,75	7,92	152,20	24,10	3,25	29,29	278,0/62500	12,79
TL-100-5-OF	31,750	1 1/4	19,05	18,90	9,53	187,80	30,10	4,00	35,76	434,35/97500	19,22
TL-120-5-OF	38,100	1 1/2	22,23	25,22	11,10	236,10	36,20	4,80	45,44	625,5/140500	27,71
TL-140-5-OF	44,450	1 3/4	25,40	25,22	12,70	254,60	42,20	5,60	48,87	851,35/193486	39,20
TL-160-5-OF	50,800	2	28,58	31,75	14,27	303,30	48,20	6,40	58,55	1112,0/252724	52,40
TL-80-6-OF	25,400	1	15,88	15,75	7,92	181,50	24,10	3,25	29,29	333,6/75000	15,34
TL-100-6-OF	31,750	1 1/4	19,05	18,90	9,53	223,60	30,10	4,00	35,76	521,22/117000	23,05
TL-120-6-OF	38,100	1 1/2	22,23	25,22	11,10	281,60	36,20	4,80	45,44	750,6/168600	33,24
TL-140-6-OF	44,450	1 3/4	25,40	25,22	12,70	303,40	42,20	5,60	48,87	1021,62/229800	44,38
TL-160-6-OF	50,800	2	28,58	31,55	14,27	362,30	48,20	6,40	58,55	1334,4/300000	59,83
TL-200-6-OF	63,500	2 1/2	39,68	37,85	19,85	445,00	60,30	8,00	71,55	2085,0/468600	95,23
TL-80-8-OF	25,400	1	15,88	15,75	7,92	240,10	24,10	3,25	29,29	444,8/100000	20,44
TL-100-8-OF	31,750	1 1/4	19,05	18,90	9,53	295,10	30,10	4,00	35,76	694,96/156000	30,71
TL-120-8-OF	38,100	1 1/2	22,23	25,22	11,10	372,40	36,20	4,80	45,44	1000,8/224800	44,28
TL-140-8-OF	44,450	1 3/4	25,40	25,22	12,70	401,10	42,20	5,60	48,87	1362,16/309578	62,21



ANSI & ISO SIDE BOW CHAIN

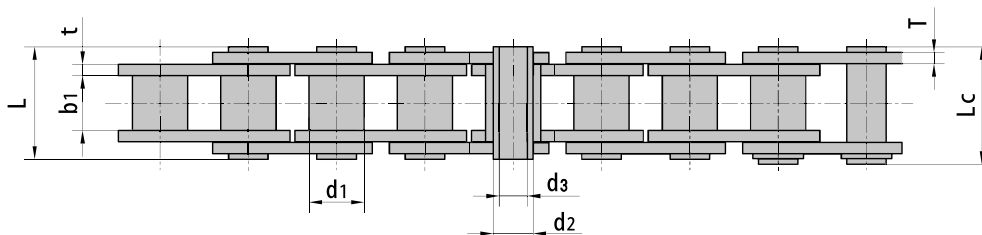
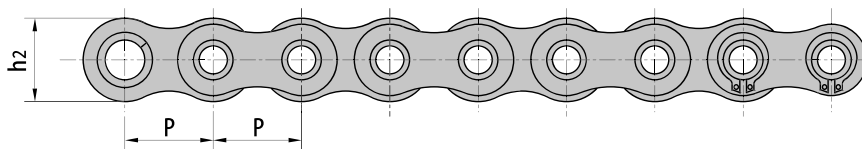
REFERENCE	PITCH	ROLLER DIAMETER	WIDTH BETWEEN INNER PLATES	PIN DIAMETER	PIN LENGTH		INNER PLATE DEPTH	PLATE THICKNESS	SIDE BOW RADIUS	TENSILE STRENGTH	AVERAGE TENSILE STRENGTH	WEIGHT PER METER
Chain No.	P mm	d1 max mm	b1 min mm	d2 max mm	L max mm	Lc max mm	h2 max mm	t/T max mm	R mm	Q min kN/lbf	Qo kN	q Kg/m
TL-40SB	12,700	7,95	7,85	3,96	16,90	18,10	11,70	1,50	350	13,8/3136	15,20	0,80
TL-43SB	12,700	7,95	7,85	3,45	18,30	19,50	11,70	1,50	305	12,0/2727	13,20	0,64
TL-50SB	15,875	10,16	9,40	4,37	20,70	22,70	14,90	2,03	400	20,6/4681	22,70	1,09
TL-60SB	19,050	11,91	12,57	5,34	26,60	28,40	18,00	2,42	500	15,7/3568	17,30	1,54
TL-63SB	19,050	11,91	12,68	5,08	28,80	30,60	17,20	2,42/2,03	350	12,5/2840	20,00	1,40
TL-80SB	25,400	15,88	15,75	7,19	34,00	37,30	24,00	3,25	711	40,9/9201	42,00	2,60
#TL-06BSBF1	9,525	6,35	5,72	3,05	13,50	15,00	8,20	1,30	300	8,0/1818	8,80	0,60
TL-08BSB	12,700	8,51	7,75	3,97	17,40	18,70	11,80	1,60	400	14,0/3182	15,40	0,70
TL-08BSBF1	12,700	8,51	7,75	3,97	16,30	17,60	11,80	1,6/1,2	400	12,8/2909	14,10	0,65
TL-10BSB	15,875	10,16	9,65	4,50	20,10	21,50	14,70	1,70	400	15,6/3545	17,20	0,93
TL-12BSB	19,050	12,07	11,68	5,12	23,10	24,80	16,00	1,85	500	20,5/4658	22,60	1,16
TL-16BSB	25,400	15,88	17,22	7,90	36,50	39,70	21,00	3,7/3,0	500	55,6/12635	64,00	2,53
TL-16BSBF3	25,400	15,88	17,02	7,85	36,20	38,90	21,00	3,8/3,0	1260	55,6/12635	64,00	2,73
#TL-C24BSB	38,100	25,40	25,50	14,00	54,30	58,50	33,20	6,0/4,8	2000	160,0/35968	176,00	7,46
#TL-C2050SB	31,750	10,16	9,40	5,08	21,30	22,60	15,00	2,03	800	21,8/4954	24,00	0,84
#TL-C2060SBF1	38,100	11,91	12,57	5,08	26,80	28,80	18,00	2,42	800	21,8/4954	24,00	1,17
#TL-C2062F6SB	38,100	22,23	12,57	5,34	26,60	29,00	23,00	2,42	1100	15,7/3568	17,30	2,27

Straight side plates.

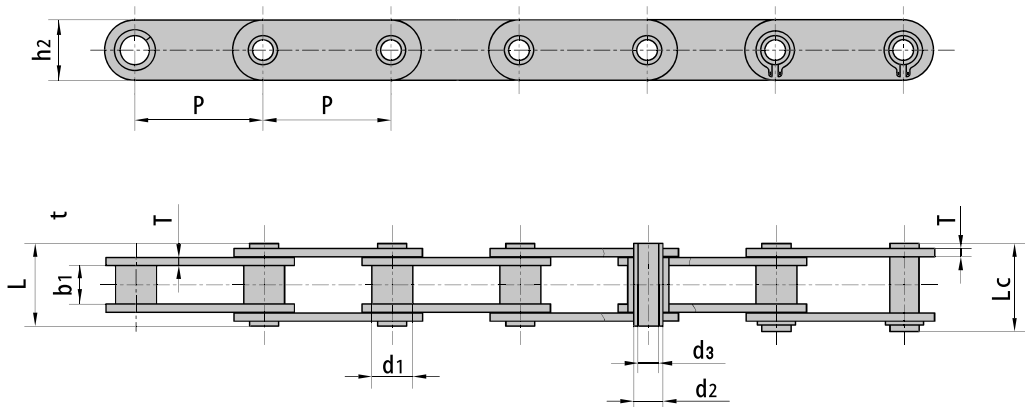


HOLLOW PIN CHAINS

REFERENCE	PITCH	BUSCH DIAMETER	WIDTH BETWEEN INNER PLATES	PIN DIAMETER		PIN LENGTH		INNER PLATE DEPTH	PLATE THICKNESS	ULTIMATE TENSILE STRENGTH	AVERAGE TENSILE STRENGTH	WEIGHT PER METER
Chain No.	P mm	d1 max mm	b1 min mm	d2 max mm	d3 max mm	L max mm	Lc max mm	h2 max mm	t/T max mm	Q min kN/LB	Qo kN	q Kg/m
TL-08BHPF	12,700	8,51	7,75	6,55	4,50	16,40	17,60	11,80	1,6/1,3	11,1/2523	12,1	0,56
TL-08BHPF5	12,700	8,51	7,75	6,30	4,50	16,80	18,00	12,00	1,60	9,6/2182	10,6	0,62
TL-10BHPF3	15,875	10,16	9,65	7,02	5,13	19,50	20,50	14,70	1,70	10,0/2272	11,5	0,86
TL-10BHPF4	15,875	10,16	9,50	7,20	5,00	19,80	21,30	14,00	2,03/1,6	12,5/2840	14,0	0,82
TL-12BHPF2	19,050	12,07	11,68	8,09	6,00	22,70	23,90	16,10	1,85	14,0/3180	16,0	0,82
TL-12BHPF3	19,050	12,07	11,70	8,22	5,75	23,60	24,90	16,20	2,42/1,85	16,0/3636	18,0	1,14
TL-16BHPF3	25,400	15,88	17,02	11,50	8,20	35,30	37,00	23,20	4,0/3,1	49,0/11136	52,2	2,26
TL-16BHPF4	25,400	11,70	13,50	8,00	4,30	28,90	30,20	21,30	3,00	30,0/6818	33,0	1,81
TL-40HP	12,700	7,95	7,85	5,63	4,00	16,50	17,60	12,00	1,50	11,0/2500	12,2	0,54
TL-50HP	15,875	10,16	9,40	7,03	5,13	20,70	21,90	15,09	2,03	20,0/4545	22,6	0,91
TL-50HPF4	15,875	10,16	8,80	7,03	5,13	19,90	21,10	15,09	2,03	18,0/4180	19,2	0,89
TL-60HP	19,050	11,91	12,70	8,31	6,00	25,80	26,80	18,00	2,42	24,0/5455	26,9	1,29
TL-60HPF1	19,050	11,91	12,70	8,31	5,01	25,50	26,80	18,00	2,42	28,0/6364	30,9	1,37
TL-80HP	25,400	15,88	15,75	11,40	8,05	32,50	33,80	24,00	3,25	50,0/11364	52,0	2,26
TL-80HPF1	25,400	11,70	13,50	7,80	4,00	27,00	28,40	21,50	2,42	27,44/6236	29,3	1,50
TL-80HPF2	25,400	15,88	15,75	11,40	8,40	32,50	33,80	24,00	3,25	45,0/10227	48,0	2,23
TL-A2080HP	50,800	15,88	15,75	11,40	8,05	32,40	33,80	24,00	3,25	42,3/9615	46,1	1,60



REFERENCE	PITCH	ROLLER DIAMETER	WIDTH BETWEEN INNER PLATES	PIN DIAMETER		PIN LENGTH		INNER PLATE DEPTH	PLATE THICKNESS	ULTIMATE TENSILE STRENGTH	AVERAGE TENSILE STRENGTH	WEIGHT PER METER	TYPE
				d2 max mm	d3 max mm	L max mm	Lc max mm						
Chain No.	P mm	d1 max mm	b1 min mm	d2 max mm	d3 max mm	L max mm	Lc max mm	h2 max mm	t/T max mm	Q min kN/LB	Qo kN	q Kg/m	
TL-10BHB	15,875	10,16	9,65	5,94	4,04	19,30	20,60	14,70	1,70	17,00/3864	20,8	0,86	A
TL-12BHP	19,050	12,07	11,68	6,50	4,00	21,60	22,80	15,90	1,85	23,6/5364	25,9	1,09	A
TL-60HB	19,050	11,91	12,70	7,00	5,01	25,50	26,60	18,00	2,42	20,00/4545	22,4	1,35	A
TL-16BHPF1	25,400	15,88	12,70	9,53	7,05	30,80	32,20	23,00	4,15/3,1	40,00/9091	45,0	2,28	A
TL-HB25,4	25,400	20,00	8,00	8,00	5,20	19,50	20,50	17,00	2,03	25,00/5680	28,0	1,30	A
TL-HP35	35,000	20,00	16,00	13,35	10,20	30,40	31,60	26,30	2,50	23,52/5345	26,4	2,02	A
TL-HB35	35,000	20,00	16,00	14,00	10,20	32,00	33,50	38,10	3,00	40,00/9091	45,0	2,39	A
TL-HB38,1	38,100	20,00	8,00	8,00	5,30	19,60	20,70	17,30	2,03	28,00/5682	28,8	0,98	B
TL-HB38,1F1	38,100	20,00	18,00	10,50	5,10	39,00	40,30	22,00	4,00	60,00/13636	64,3	2,59	B
TL-HB38,1F3	38,100	25,40	12,70	12,00	8,30	27,00	28,60	38,10	2,50	25,00/5682	28,8	1,51	B
TL-HB38,1F4	38,100	20,00	12,70	8,00	5,20	26,00	27,20	17,00	2,42	24,00/5455	26,9	1,48	B
TL-HP40F4	40,000	26,00	10,00	11,40	8,20	26,50	28,00	24,00	3,00	50,00/11364	56,7	2,20	B
HP41,75F1	41,750	17,10	20,20	11,11	8,20	35,70	39,00	21,65	3,10	26,5/6022	29,2	1,60	A
HP41,75F2	41,750	17,10	20,20	11,11	8,20	35,70	41,00	25,26	3,10	49,00/11136	54,8	2,04	A
TL-HP41,75F3	41,750	17,00	20,50	11,00	8,30	36,00	39,50	21,40	3,00	27,00/6136	28,0	1,62	A
TL-HP50F2	50,000	31,00	15,00	13,20	10,20	36,50	38,00	25,00	4,00	40,00/9091	43,2	3,40	B
TL-HB50	50,000	30,00	10,50	11,40	8,20	27,40	28,60	26,00	3,10	50,00/11364	53,6	2,23	B
TL-HB50,8	50,800	30,00	10,50	11,40	8,20	27,40	28,60	26,00	3,10	50,00/11634	53,6	2,56	B
TL-HB50,8F4	50,800	30,00	10,50	13,60	8,20	27,40	28,90	26,00	3,10	42,00/9545	48,2	2,28	B
TL-HB63	63,000	30,00	10,00	11,40	8,10	26,70	28,10	26,50	3,10	50,00/11364	53,6	2,07	B
TL-HB63F1	63,000	40,00	10,00	11,40	8,10	26,70	28,10	26,50	3,10	50,00/11364	53,6	2,27	B
TL-HB63F2	63,000	40,00	20,00	11,40	8,10	36,70	38,10	26,50	3,10	50,00/11364	53,6	3,20	B
TL-HB63F3	63,000	40,00	15,00	11,40	8,20	35,60	37,00	26,50	4,00	35,00/7955	38,5	3,90	B
TL-HB63F4	63,000	30,00	20,00	11,40	8,10	27,40	36,70	38,10	3,10	50,00/11364	53,6	2,97	B
TL-HB63F6	63,000	30,00	10,00	11,70	8,20	26,70	28,10	26,50	3,10	50,00/11364	56,7	2,08	B
TL-HB63F7	63,000	40,00	18,00	14,00	10,20	38,00	39,50	28,00	4,00	50,00/11364	56,7	4,26	B
TL-HB63F8	63,000	30,00	20,00	11,70	8,10	36,50	38,00	26,50	3,10	50,00/11364	56,7	2,91	B
TL-HB100	100,000	30,00	10,50	11,40	8,20	27,40	28,60	26,00	3,10	50,00/11364	53,6	1,56	B



HEAVY DUTY CRANKED-LINK TRANSMISSION CHAINS

REFERENCE	PITCH	ROLLER DIAMETER	WIDTH BETWEEN INNER PLATES	PIN DIAMETER	PIN LENGTH	PLATE DEPTH	PLATE THICKNESS	TENSILE STRENGTH	AVERAGE TENSILE STRENGTH	WEIGHT PER METER
Chain No.	P mm	d1 max mm	b1 min mm	d2 max mm	L max mm	h2 mm	T mm	Q min kN/lbf	Qo kN	q Kg/m
TL-MXS432	42,010	22,23	25,40	11,10	57,90	28,50	4,80	80,80/18363	88,0	5,65
TL-1409F1	44,450	25,40	25,40	13,97	65,90	43,20	6,30	217,00/48782	238,7	9,65
TL-R3112	50,800	28,70	31,00	14,20	73,90	41,40	6,40	168,90/38385	185,0	10,70
TL-R3112F1	50,800	28,70	31,00	15,06	79,50	41,40	7,90	195,60/18363	225,0	12,23
TL-SS2065	50,800	28,58	32,50	15,05	79,50	38,00	7,90	220,00/49998	242,0	12,14
TL-2010	63,500	31,75	38,10	15,90	89,00	47,80	7,90	250,00/56818	275,0	13,53
TL-2010H	63,500	31,75	31,75	15,88	97,00	41,50	9,50	250,00/56818	275,0	11,91
TL-2010SH	63,500	31,75	38,10	15,88	97,00	41,50	9,50	300,00/68181	330,0	12,00
*TL-SS588F4	66,270	22,23	30,40	11,11	60,00	32,00	4,80	90,00/20454	103,0	5,05
TL-MXS882	66,270	22,23	28,58	11,10	68,50	28,50	6,40	115,60/26272	124,8	5,30
TL-SS588	66,270	22,23	28,60	11,11	63,70	28,60	6,40	130,00/29545	144,0	5,46
TL-SS588F1	66,270	22,23	27,00	11,11	62,00	28,60	6,40	88,90/20205	97,8	5,39
TL-SS588F2	66,270	22,23	27,00	9,53	59,00	25,40	5,60	84,46/19195	91,2	4,26
*TL-MXS882F2	66,270	22,23	28,58	11,10	66,60	28,50	6,40	115,60/25987	124,8	5,39
TL-MXS882F1	66,270	22,10	28,58	11,10	68,50	28,50	6,40	110,00/24728	121,0	5,39
TL-SS588F7	66,270	22,35	26,90	11,20	60,00	28,70	4,80	80,00/17984	88,0	4,52
*TL-MX603	76,200	22,50	38,00	14,00	88,00	40,00	8,00	147,00/33408	161,0	9,20
*TL-MXS3011F1	77,900	31,75	39,60	19,05	100,00	57,00	9,70	407,50/18363	468,0	17,68
TL-2512(MXS3011)	77,900	41,28	39,60	19,05	100,00	57,00	9,70	340,00/77272	489,3	18,40
TL-2512F2	77,900	41,28	38,50	19,05	103,40	60,00	10,00	400,00/90909	420,0	20,28
TL-2512F3	77,900	41,28	40,00	18,60	104,20	46,70	11,00	340,00/77271	391,0	18,15
TL-2512F4	77,900	41,28	39,60	19,05	110,00	60,00	12,00	407,50/92612	468,0	23,60
TL-SS568H	77,900	41,30	39,70	19,05	97,60	57,00	9,50	460,00/103408	515,0	19,80
TL-SS568HF2	77,900	31,75	39,70	19,05	98,50	57,00	9,50	447,00/101588	491,0	16,90
TL-SS568HF3	77,900	41,30	39,70	19,05	104,10	57,00	11,00	489,3/11203	562,0	20,85
TL-SS568HF4	77,900	41,30	39,70	19,05	100,00	57,00	10,00	490,00/110152	539,0	19,80
TL-2510	78,100	31,75	36,90	16,00	94,80	40,00	8,00	271,0/61590	292,6	10,72
TL-2510F1	78,100	31,75	36,60	16,00	88,90	38,10	8,00	124,5/28295	137,0	9,93
TL-2510F2	78,100	31,75	36,60	15,75	88,00	38,10	8,00	225,00/51135	248,0	11,70
TL-2510H	78,100	31,75	36,90	16,50	95,30	45,00	9,50	280,4/63727	302,8	12,70
TL-MXS3075	78,100	31,75	38,10	16,46	93,50	44,50	9,70	334,0/75907	365,8	13,45
TL-MXS3075F1	78,100	33,00	38,10	16,46	94,50	44,50	9,70	334,0/75907	365,8	14,00
TL-MXS3075F1SH	78,100	33,00	38,10	16,46	94,50	44,50	9,70	360,0/81817	414,0	13,96
TL-MXS3075F2	78,100	31,75	38,10	17,81	90,00	45,00	8,00	333,2/75726	365,8	12,20
TL-MXS3075F3	78,100	33,30	38,10	16,46	94,50	44,50	9,70	334,0/75908	384,0	14,00
TL-MXS3075F4	78,100	33,30	38,10	17,15	94,50	44,50	9,70	360,0/81817	414,0	14,00
TL-2510F3	78,100	31,75	38,10	16,00	87,10	38,10	7,90	194,0/43611	213,5	10,42
TL-2510F5	78,100	31,75	38,10	15,88	86,00	38,10	7,90	194,0/43611	213,5	10,37
TL-SS40HF2	78,100	31,75	38,10	16,00	87,50	38,10	8,00	236,0/53053	259,6	10,00
TL-SS40H(P)	78,110	31,75	38,10	15,88	97,00	41,50	9,50	250,0/56818	280,0	12,60
TL-DHAPI3PF1	78,110	31,75	38,10	16,51	94,50	39,70	9,50	250,0/56200	275,0	12,53
TL-MXS3075F6	78,110	31,75	38,10	16,46	92,50	44,50	9,70	250,0/56200	275,0	13,60
TL-P78.18F1	78,180	33,00	40,00	17,81	102,00	45,00	10,00	333,2/74903	365,8	14,87
TL-3125	79,370	41,27	39,70	20,32	101,60	57,20	9,50	347,1/78885	400,0	20,10
TL-3125F2	79,370	41,27	41,30	20,32	105,00	57,20	9,50	481,2/109362	529,0	20,44
TL-3125HF1	79,370	43,00	41,00	22,23	108,00	57,20	11,00	400,0/90908	500,0	23,25
TL-2814	88,900	44,45	36,60	22,23	117,60	58,00	12,70	471,0/105955	622,7	25,70
TL-2814F1	88,900	44,45	36,90	22,23	117,60	60,00	13,50	556,0/126358	611,0	24,20
TL-2814F2	88,900	44,45	38,60	22,23	119,60	58,00	12,70	559,0/127040	614,9	25,40
TL-2814F3	88,900	44,45	38,60	24,00	120,00	58,00	14,00	559,0/125663	614,9	26,00
TL-2814F4	88,900	44,45	36,50	22,35	108,30	57,15	12,70	471,0/105881	507,6	23,30

* Bush chain. d1 indicates the bush outside diameter.

NEXT >



REFERENCE	PITCH	ROLLER DIAMETER	WIDTH BETWEEN INNER PLATES	PIN DIAMETER	PIN LENGTH	PLATE DEPTH	PLATE THICKNESS	TENSILE STRENGTH	AVERAGE TENSILE STRENGTH	WEIGHT PER METER
Chain No.	P mm	d1 max mm	b1 min mm	d2 max mm	L max mm	h2 mm	T mm	Q min kN/lbf	Qo kN	q Kg/m
TL-DHE238R	88,900	44,45	38,10	22,12	112,80	57,15	12,70	445,0/100036	490,0	24,67
TL-RO1644F2	95,250	44,45	38,10	23,88	119,00	60,30	14,30	722,0/162306	794,0	28,14
TL-RO1644F1	96,000	44,80	39,00	23,80	119,00	60,00	14,00	530,0/120453	609,0	27,45
*TL-MX604	101,600	25,00	57,00	16,00	117,00	50,00	10,00	227,0/51590	261,0	13,63
*TL-MX704	101,600	30,00	57,00	18,00	125,50	55,00	12,00	280,0/62944	308,0	18,99
TL-DHAPI4P	103,040	44,53	50,80	22,20	125,50	57,15	12,70	500,0/112400	550,0	24,27
TL-DHAPI4PH	103,040	44,53	50,80	25,40	139,70	60,30	16,00	787,4/177000	870,0	30,00
TL-SB1254	103,124	45,21	30,48	23,81	107,95	57,15	12,70	400,0/90908	460,0	22,67
TL-SB1254F1	103,124	45,21	30,48	23,81	108,00	63,50	12,70	400,0/89920	460,0	24,50
TL-3214	103,200	44,45	48,00	22,00	123,50	55,00	13,00	476,0/108180	514,0	23,60
TL-3214F1	103,200	44,45	49,20	23,90	129,00	60,00	14,00	666,4/151450	700,0	26,70
TL-3214F2	103,200	44,45	39,70	19,05	97,60	57,20	9,50	456,0/103635	500,0	17,67
TL-3214F3	103,200	46,00	49,20	23,90	123,50	60,00	13,00	539,0/122498	619,0	26,16
TL-MXS1242	103,200	44,45	49,20	22,23	124,50	57,00	12,80	566,4/127327	623,0	24,63
TL-MXS1242F1	103,200	44,45	55,00	22,23	128,80	57,00	12,80	623,0/141589	716,0	24,16
TL-SS124	103,200	44,45	49,20	22,23	127,20	57,00	12,70	560,0/127272	590,0	22,57
TL-3214F5	103,200	44,45	49,00	23,23	137,00	58,70	16,00	686,0/154213	720,3	30,00
TL-3214F6	103,200	44,45	49,20	26,80	130,00	76,20	14,50	750,0/168600	787,5	32,90
TL-DHAPI4PF1	103,200	44,45	50,80	22,23	125,20	57,15	12,70	560,0/125888	616,0	24,37
TL-3315	103,450	45,24	49,30	23,85	130,00	63,50	14,20	550,0/125000	756,2	27,71
TL-3315F1	103,450	45,24	47,60	23,85	134,00	60,00	15,00	650,0/147725	747,0	27,34
TL-3315F2	103,450	50,00	49,30	25,00	142,50	63,50	16,00	620,0/140907	713,0	32,50
TL-SH1245	103,450	45,30	49,60	23,80	130,00	60,00	14,50	722,0/164084	794,0	31,00
TL-SS1245	103,450	45,20	49,60	23,80	129,40	60,00	14,50	550,0/125000	605,0	31,19
TL-SS1245F1	103,450	45,20	49,60	25,60	132,30	60,00	14,50	530,0/120453	609,0	28,53
TL-SS1245F2	103,450	46,20	52,00	23,80	139,20	60,00	16,00	530,0/120453	609,0	31,15
TL-3315F3	103,450	45,24	49,20	23,85	131,00	60,30	14,30	550,0/123640	594,0	27,70
TL-SS1245F3	103,450	45,20	49,60	23,80	130,00	60,00	14,50	722,0/162306	794,0	31,19
TL-SS1245F4	103,450	45,20	49,30	23,80	130,30	60,00	14,50	550,0/123640	594,0	28,40
TL-3217F1	103,880	47,60	49,20	28,05	130,00	84,00	14,00	880,0/197824	950,4	35,60
TL-3618	114,300	57,15	52,30	27,97	138,00	79,20	14,20	760,0/172727	978,6	41,20
TL-3618F1	114,300	57,15	50,80	27,71	134,60	75,00	14,00	850,0/191080	918,0	28,50
TL-SS635H	114,300	57,20	52,40	27,94	137,00	76,20	14,50	760,0/172727	836,0	37,80
TL-SS635HF2	114,300	57,20	52,40	27,94	137,00	76,20	14,50	964,0/219085	1060,4	37,90
TL-SS635HF3	114,300	57,20	52,40	27,94	149,00	76,20	17,50	964,0/216707	1060,0	43,60
TL-SS635HF5	114,300	57,20	52,40	29,00	143,00	76,20	16,00	800,0/179840	864,0	39,80
TL-SS635HF6	114,300	57,15	52,40	27,94	133,40	76,20	14,50	850,0/191080	918,0	38,30
TL-4020	127,000	63,50	69,90	31,78	165,70	88,90	15,70	987,0/224300	1379,0	48,60
TL-4020F1	127,000	63,50	68,30	31,78	168,10	90,00	17,00	1100,0/249997	1265,0	50,60
TL-4020F2	127,000	69,85	68,30	35,05	173,00	95,25	19,00	1100,0/249997	1265,0	59,08
TL-4020F3	127,000	63,50	69,90	34,93	176,00	91,00	19,00	1410,0/320450	1551,0	58,40
TL-4020HF1	127,000	63,50	69,90	34,93	176,00	88,90	19,00	1300,0/295451	1495,0	54,50
TL-4020HF2	127,000	63,50	65,02	34,93	171,00	88,90	19,00	1300,0/295451	1430,0	38,58
TL-4020SHF1	127,000	63,50	69,90	31,78	165,70	88,90	15,70	1333,0/302905	1532,0	48,60
TL-RO1205	127,000	63,50	65,00	31,75	147,60	82,50	14,20	872,0/198177	955,0	42,93
TL-4020F5	127,000	63,50	63,50	34,93	168,60	91,00	19,00	1300,0/292240	1430,0	57,00
TL-4020F6	127,000	63,50	69,90	31,78	158,80	88,90	15,70	1220,0/274256	1342,0	50,90
TL-4020HF4	127,000	63,50	62,00	35,00	166,60	88,90	19,00	1250,0/281000	1375,0	57,45
TL-4020SHF2	127,000	63,50	69,90	32,00	164,30	90,00	16,00	1330,0/298984	1463,0	52,10
TL-DH1605F1	127,000	63,50	65,10	35,00	169,50	88,90	19,10	860,0/193328	946,0	55,80
TL-4424F1	139,700	76,20	76,30	38,05	188,00	101,60	19,00	1680,0/377664	1764,0	70,26
TL-DH5500A	139,700	76,35	76,30	38,05	188,00	101,60	19,00	1400,0/314720	1540,0	68,12
TL-P140F3	140,000	65,00	80,00	36,00	191,00	90,00	20,00	1176,0/264365	1293,6	64,24
TL-2184	152,400	76,20	35,00	22,20	96,00	51,00	9,50	330,0/75000	378,0	18,17
TL-4824	152,400	76,20	74,60	38,10	186,00	100,00	20,00	1600,0/363632	1868,3	69,80

* Bush chain. d1 indicates the bush outside diameter.

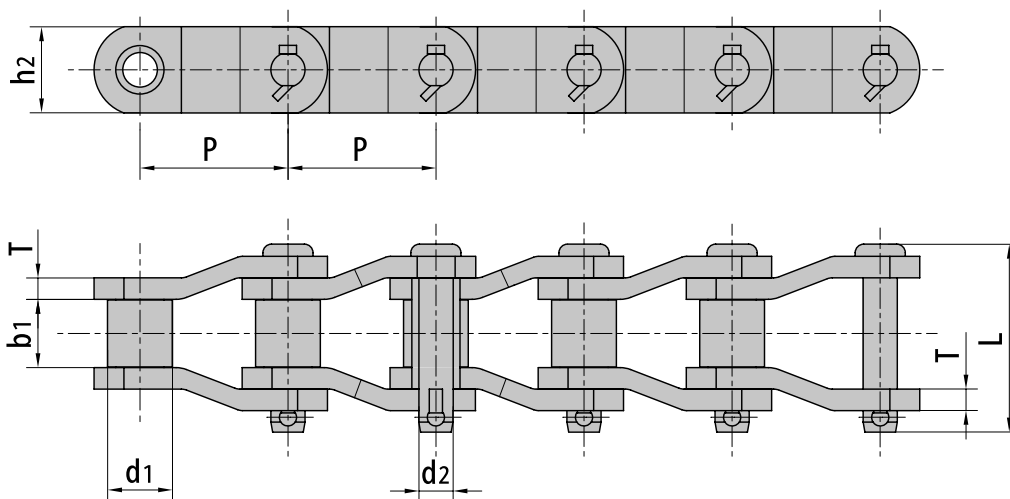
NEXT >



HEAVY DUTY CRANKED-LINK TRANSMISSION CHAINS

REFERENCE	PITCH	ROLLER DIAMETER	WIDTH BETWEEN INNER PLATES	PIN DIAMETER	PIN LENGTH	PLATE DEPTH	PLATE THICKNESS	TENSILE STRENGTH	AVERAGE TENSILE STRENGTH	WEIGHT PER METER
Chain No.	P mm	d1 max mm	b1 min mm	d2 max mm	L max mm	h2 mm	T mm	Q min kN/lbf	Qo kN	q Kg/m
TL-6060	152,400	88,90	101,00	47,63	228,70	114,30	22,00	1700,0/386359	1955,0	97,59
TL-DH6042F1	152,400	76,35	76,30	38,05	188,00	101,60	19,00	1400,0/318178	1610,0	58,36
TL-RO6042F1	152,400	76,20	76,30	44,00	184,00	120,00	19,00	1500,0/340900	1600,0	63,60
TL-4824F1	152,400	76,20	76,20	38,10	187,60	100,00	20,00	1600,0/359680	1700,0	69,90
TL-6060F3	152,400	88,90	77,00	47,63	204,70	114,30	22,00	1350,0/303480	1485,0	89,77
TL-DH6042F2	152,400	76,20	76,20	38,05	188,00	101,60	19,05	1800,0/422624	2068,0	57,80
TL-DH6042F3	152,400	76,20	76,30	38,10	182,30	101,60	19,00	1646,0/370021	1728,3	68,12
TL-DH6042F4	152,400	76,20	76,20	38,10	179,40	120,00	19,05	1500,0/337200	1600,0	78,10
TL-DH6042F5	152,400	76,20	76,20	41,00	195,20	106,00	23,00	1500,0/337200	1600,0	77,08
TL-DH6042F6	152,400	76,35	76,20	38,05	186,00	101,60	19,00	1333,0/300000	1466,3	59,40
TL-P153	153,619	34,93	53,98	17,48	107,00	44,50	9,50	150,0/34090	165,0	10,90
#TL-P153F1	153,619	34,93	53,98	17,48	100,00	44,50	8,00	150,0/34090	165,0	9,74
#TL-P153F2	153,619	34,93	53,98	17,48	100,00	44,50	8,00	150,0/34090	165,0	9,80
TL-5628	177,800	88,90	82,60	44,45	210,00	133,00	22,00	1890,0/429540	2173,0	99,50
TL-5628F1	177,800	88,90	82,60	44,45	210,00	127,00	22,00	2224,0/505448	2557,0	96,80
TL-5628F4	177,800	88,90	81,00	47,00	225,00	129,50	24,75	2224,8/550000	2640,0	104,00

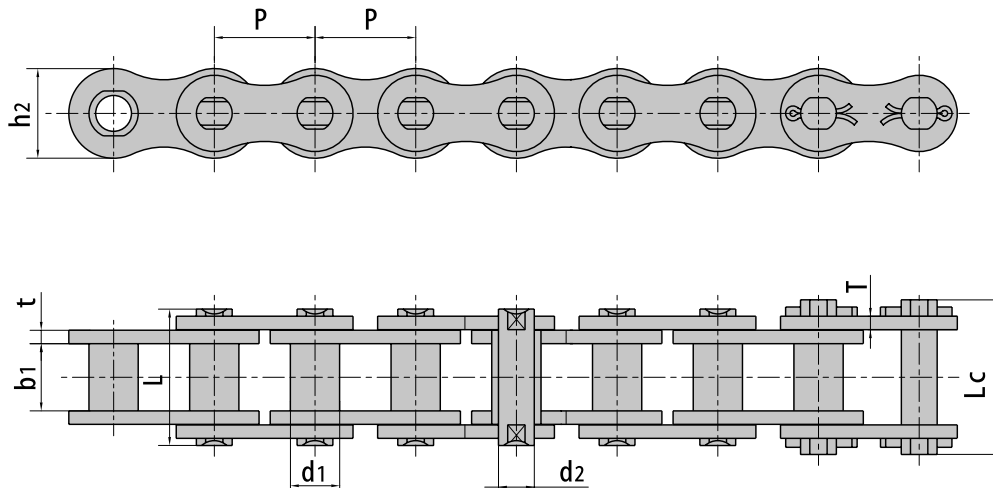
Indicate with hole at plate center.



BUSH CHAINS

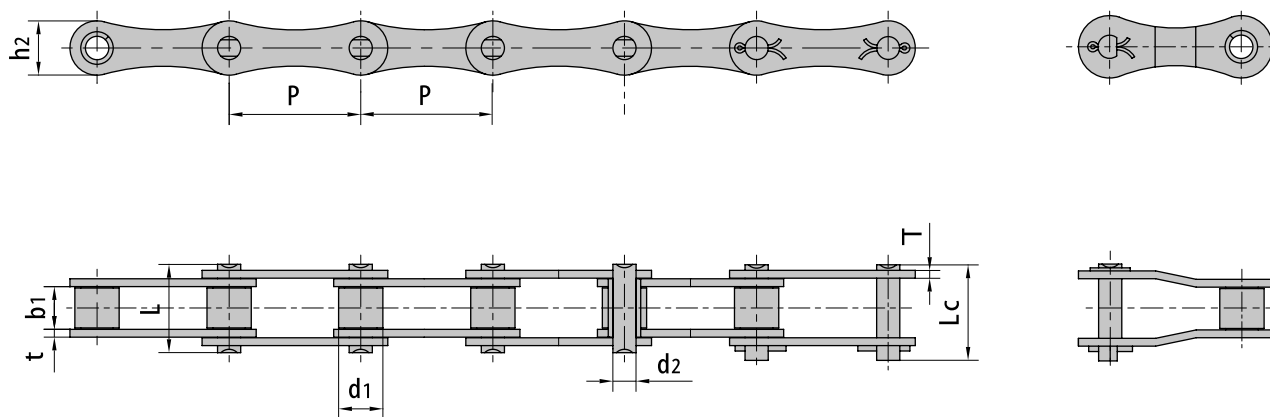
REFERENCE	PITCH	BUSH DIAMETER	WIDTH BETWEEN INNER PLATES	PIN DIAMETER	PIN LENGTH		PLATE DEPTH	PLATE THICKNESS	TENSILE STRENGTH	AVERAGE TENSILE STRENGTH	WEIGHT PER METER
Chain No.	P mm	d1 max mm	b1 min mm	d2 max mm	L max mm	Lc max mm	h2 max mm	T max mm	Q min kN/lbf	Qo kN	q Kg/m
TL-P15F1-B	15,00	9,00	14,0	6,0	25,3	30,0	14,0	2,03	12,5/2852,5	13,75	1,150
TL-P20-B	20,00	12,00	16,0	8,0	33,0	36,0	18,0	3,00	25,0/5624	27,50	2,140
TL-P20F3-B	20,00	12,00	16,0	8,0	33,0	36,0	19,0	3,00	25,0/5624	27,50	2,030
TL-PZ20-B*	20,00	12,00	16,0	8,0	33,0	34,7	18,0	3,00	25,0/5624	27,50	2,253
TL-P25-B	25,00	15,00	18,0	10,0	35,0	39,0	24,0	3,00	31,5/7086	34,70	3,170
TL-P25F1-B	25,00	15,00	18,0	10,0	35,0	39,0	24,0	3,00	31,5/7086	34,70	2,670
TL-P30F2-B	30,00	17,00	20,0	11,0	41,0	45,4	28,0	4,00	40,0/8998	44,00	4,250
TL-P30F6-B	30,00	17,00	20,0	11,0	42,4	46,0	28,0	4,00	40,0/8998	44,00	3,750
TL-P35F2-B	35,00	18,00	22,0	12,0	44,5	48,0	30,0	4,00	50,0/11248	55,00	4,330
TL-P35F5-B	35,00	18,00	22,0	12,0	44,5	48,0	30,0	4,00	50,0/11248	55,00	3,770
TL-P36-B	36,00	18,00	22,0	12,5	44,5	49,0	30,0	4,00	60,0/13497	66,00	4,200
TL-P40-B	40,00	20,00	25,0	14,0	52,4	57,0	35,0	5,00	63,0/14172	69,30	5,430
TL-P45-B	45,00	22,00	30,0	16,0	62,0	66,5	40,0	6,00	80,0/17996	88,00	7,540
TL-P50-B	50,00	26,00	35,0	18,0	68,0	73,5	44,0	6,00	100,0/22495	110,00	8,900
TL-P55-B	55,00	30,00	45,0	20,0	88,0	93,5	49,0	8,00	125,0/28119	137,50	13,920
TL-P55F1-B	55,00	30,00	45,0	20,0	88,0	110,0	49,0	8,00	125,0/28119	137,50	13,920
TL-P55F4-B	55,00	28,00	45,0	20,0	88,0	93,5	43,0	8,00	125,0/28100	137,50	12,400
TL-P60-B	60,00	32,00	50,0	22,0	94,1	99,5	55,0	8,00	160,0/35993	176,00	15,200
TL-P65-B	65,00	36,00	56,0	26,0	97,5	113,0	61,0	8,00	200,0/44960	220,00	18,900
TL-P70-B	70,00	30,00	65,0	30,0	117,0	130,0	67,0	10,00	250,0/57050	275,00	26,270
TL-P80-B	80,00	44,00	70,0	32,0	131,0	150,0	75,0	12,00	315,0/71883	346,00	31,800
TL-P19,05	19,05	12,70	12,5	7,5	31,6	33,6	20,0	4,15/3,25	50,0/11248	55,00	2,560
TL-P19,05F50-B	19,05	11,91	12,9	7,5	31,6	34,8	20,0	4,15/3,25	40,0/8992	44,00	2,530
TL-P22,225F10-B	22,225	14,30	14,6	9,0	36,3	39,3	23,5	4,8/4,0	55,0/12364	60,50	3,580
TL-P22,225F3-B	22,225	15,60	14,6	9,0	36,3	38,0	23,5	4,8/4,0	75,0/16860	82,50	3,750
TL-P25,4F21-B	25,40	15,88	16,0	10,0	42,5	-	26,8	5,6/4,8	80,0/17984	88,00	4,700
TL-P31,75F5-B	31,75	19,05	20,0	11,1	46,0	50,0	33,5	5,6/4,8	100,0/22480	110,00	5,980
TL-P42,27F1-B*	42,27	13,00	22,9	7,9	41,0	45,8	24,0	3,20	42,3/6509	46,50	2,360
TL-P50,8F7*	50,80	18,50	25,0	14,5	53,5	57,5	40,0	5,00	120,0/26994	132,00	6,300

* Straight side plates.



ANSI & ISO DOUBLE PITCH CHAINS

ANSI & ISO	PITCH	ROLLER DIAMETER	WIDTH BETWEEN INNER PLATES	PIN DIAMETER	PIN LENGTH		INNER PLATE DEPTH	PLATE THICKNESS	TENSILE STRENGTH	AVERAGE TENSILE STRENGTH	WEIGHT PER METER
					L max mm	Lc max mm					
Reference	P mm	d1 max mm	b1 min mm	d2 max mm	L max mm	Lc max mm	h2 max mm	t/T max mm	Q min kN/lb	Qo kN	q Kg/m
TL-2040	25,40	7,95	7,85	3,96	16,6	17,8	12,00	1,50	14,1/3205	16,7	0,42
TL-208B	25,40	8,51	7,75	4,45	16,7	18,2	11,80	1,60	18,0/4091	19,4	0,45
TL-2050	31,75	10,16	9,40	5,08	20,7	22,2	15,00	2,03	22,2/5045	28,1	0,73
TL-210B	31,75	10,16	9,65	5,08	19,5	20,9	14,70	1,70	22,4/5091	27,5	0,65
TL-2060	38,10	11,91	12,57	5,94	25,9	27,7	18,00	2,42	31,8/7227	36,8	1,02
TL-212B	38,10	12,07	11,68	5,72	22,5	25,2	16,00	1,85	29,0/6591	32,2	0,76
TL-2080	50,80	15,88	15,75	7,92	32,7	36,5	24,00	3,25	56,7/12886	65,7	1,70
TL-216B	50,80	15,88	17,02	8,28	36,1	39,1	21,00	4,15/3,1	60,0/13636	72,8	1,75
TL-2100	63,50	19,05	18,90	9,53	40,4	44,7	30,00	4,00	88,5/20114	102,6	2,55
TL-220B	63,50	19,05	19,56	10,19	41,3	45,0	26,40	4,5/3,5	95,0/14773	106,7	2,62
TL-2120	76,20	22,23	25,22	11,10	50,3	54,3	35,70	4,80	127,0/28864	147,3	4,06
TL-224B	76,20	25,40	25,40	14,63	53,4	57,8	33,20	6,0/4,8	160,0/36364	178,0	4,70
TL-228B	88,90	27,94	30,99	15,90	65,1	69,5	36,70	7,5/6,0	200,0/45455	222,0	6,23
TL-232B	101,60	29,21	30,99	17,81	66,0	71,0	42,00	7,0/6,0	250,0/56818	277,5	6,72
TL-2040H	25,40	7,95	7,85	3,96	18,8	19,9	12,00	2,03	14,1/3205	16,7	0,53
TL-2050H	31,75	10,16	9,40	5,08	22,1	23,8	15,00	2,42	22,2/5045	28,1	0,79
TL-2060H	38,10	11,91	12,57	5,94	29,2	31,0	18,00	3,25	31,8/7227	36,8	1,28
TL-2080H	50,80	15,88	15,75	7,92	36,2	39,4	24,00	4,00	56,7/12886	70,0	2,17
TL-2100H	63,50	19,05	18,90	9,53	43,6	47,2	30,00	4,80	88,5/20114	102,6	3,15
TL-2120H	76,20	22,23	25,22	11,10	53,5	57,5	35,70	5,60	127,0/28864	147,3	4,57

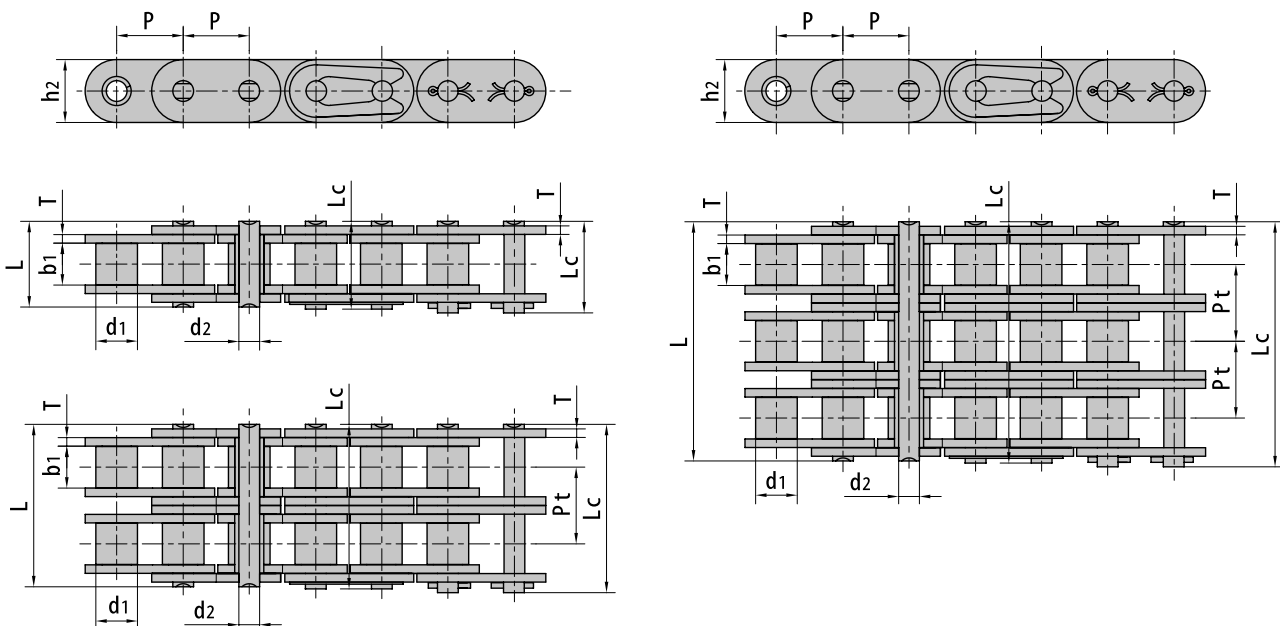


CONVEYOR CHAINS

CONVEYOR ROLLER CHAINS. STRAIGHT SIDE PLATES. SERIES A

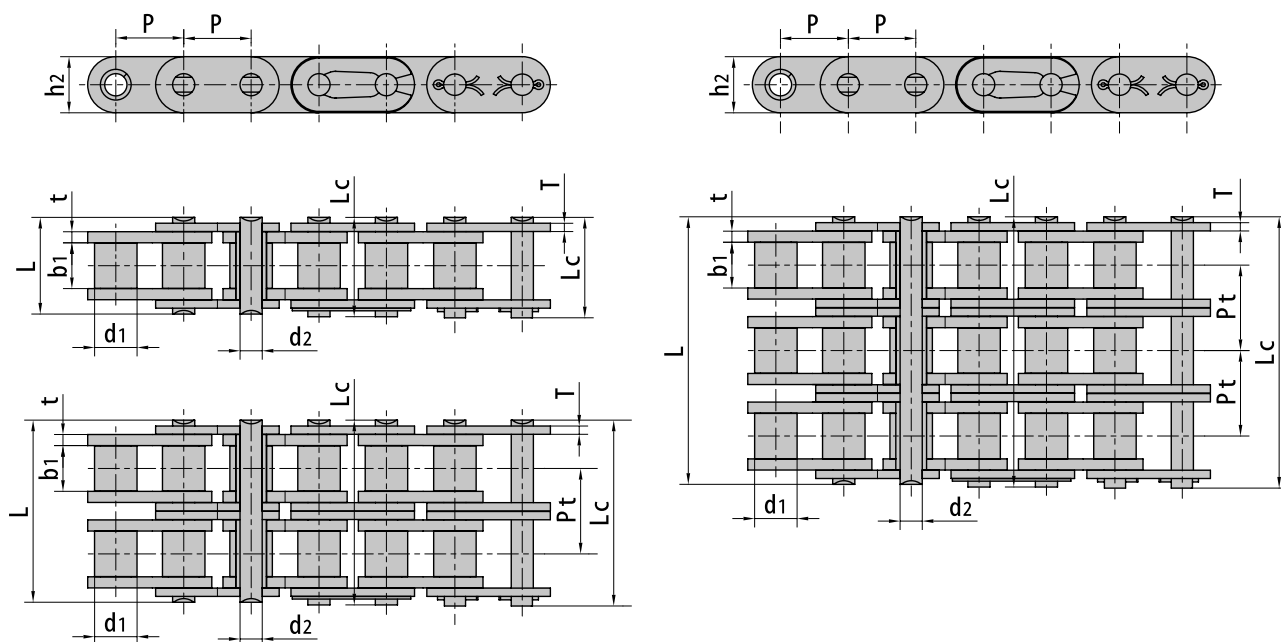
REFERENCE NUMBER	PITCH	ROLLER DIAMETER	WIDTH BETWEEN INNER PLATES	PIN DIAMETER	PIN LENGTH		INNER PLATE DEPTH	PLATE THICKNESS	TRANSVERSE PITCH	TENSILE STRENGTH	AVERAGE TENSILE STRENGTH	WEIGHT PER METER
					L max mm	Lc max mm						
	P mm	d1 max mm	b1 min mm	d2 max mm	L max mm	Lc max mm	h2 max mm	T max mm	Pt mm	Q min kN/lbf	Q _o	q Kg/m
*TL-06A *TL-C35-1	9,525	5,08	4,77	3,58	13,3	14,3	9,00	1,30		7,9/1795	10,8	0,41
TL-C08A-1 TL-C40-1	12,700	7,95	7,85	3,96	16,6	18,8	12,00	1,50		14,1/3273	17,5	0,73
TL-C10A-1 TL-C50-1	15,875	10,16	9,40	5,08	20,7	23,3	15,09	2,03		22,2/5045	29,4	1,23
TL-C12A-1 TL-C60-1	19,050	11,91	12,57	5,94	25,9	28,3	18,00/18,20	2,42		31,8/7227	41,5	1,81/1,83
TL-C16A-1 TL-C80-1	25,400	15,88	15,75	7,92	32,7	36,5	24,00	3,25		56,7/12886	69,4	3,09
TL-C20A-1 TL-C100-1	31,750	19,05	18,90	9,53	40,4	44,7	30,00	4,00		88,5/20114	109,2	4,56
TL-C24A-1 TL-C120-1	38,100	22,23	25,22	11,10	50,3	54,3	35,70	4,80		127,0/28864	156,3	6,86
TL-C28A-1 TL-C140-1	44,450	25,40	25,22	12,70	54,4	59,0	41,00	5,60		172,4/39182	212,0	8,49
TL-C32A-1 TL-C160-1	50,800	28,58	31,55	14,27	64,8	69,6	47,80	6,40		226,8/51545	278,9	11,50
TL-C08A-2 TL-C40-2	12,700	7,95	7,85	3,96	31,0	33,2	12,00	1,50	14,38	28,2/6409	35,9	1,43
TL-C10A-2 TL-C50-2	15,875	10,16	9,40	5,08	38,9	41,4	15,09	2,03	18,11	44,4/10091	58,1	2,42
TL-C12A-2 TL-C60-2	19,050	11,91	12,57	5,94	48,8	51,1	18,00/18,20	2,42	22,78	63,6/14455	82,1	3,58/3,62
TL-C16A-2 TL-C80-2	25,400	15,88	15,75	7,92	62,7	65,8	24,00	3,25	29,29	113,4/25773	141,8	6,12
TL-C20A-2 TL-C100-2	31,750	19,05	18,90	9,53	76,4	80,5	30,00	4,00	35,76	177,0/40227	219,4	9,08
TL-C24A-2 TL-C120-2	38,100	22,23	25,22	11,10	95,8	99,7	35,70	4,80	45,44	254,0/57727	314,9	13,60
TL-C28A-2 TL-C140-2	44,450	25,40	25,22	12,70	103,3	107,9	41,00	5,60	48,87	344,8/78364	427,5	16,86
TL-C32A-2 TL-C160-2	50,800	28,58	31,55	14,27	123,3	128,1	47,80	6,40	58,55	453,6/103091	562,4	22,90
TL-C08A-3 TL-C40-3	12,700	7,95	7,85	3,96	45,4	47,6	12,00	1,50	14,38	42,3/9614	50,0	2,14
TL-C10A-3 TL-C50-3	15,875	10,16	9,40	5,08	57,0	59,5	15,09	2,03	18,11	66,6/15136	77,8	3,62
TL-C12A-3 TL-C60-3	19,050	11,91	12,57	5,94	71,5	73,9	18,00/18,20	2,42	22,78	95,4/21682	111,1	5,36/5,41
TL-C16A-3 TL-C80-3	25,400	15,88	15,75	7,92	91,7	95,1	24,00	3,25	29,29	170,1/38659	198,4	9,10
TL-C20A-3 TL-C100-3	31,700	19,05	18,90	9,53	112,2	116,3	30,00	4,00	35,76	265,5/60341	309,6	13,60
TL-C24A-3 TL-C120-3	38,100	22,23	25,22	11,10	141,4	145,2	35,70	4,80	45,44	381,0/86591	437,2	20,43
TL-C28A-3 TL-C140-3	44,450	25,40	25,22	12,70	152,2	156,8	41,00	5,60	48,87	517,2/117545	593,3	25,23
TL-C32A-3 TL-C160-3	50,800	28,58	31,55	14,27	181,8	186,6	47,80	6,40	58,55	680,4/154636	780,6	34,19

* Bush chain. d1 in the table indicates the external diameter of the bush.



CONVEYOR ROLLER CHAINS. STRAIGHT SIDE PLATES. SERIES B

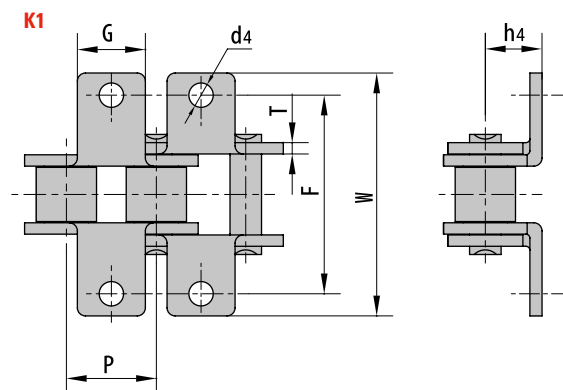
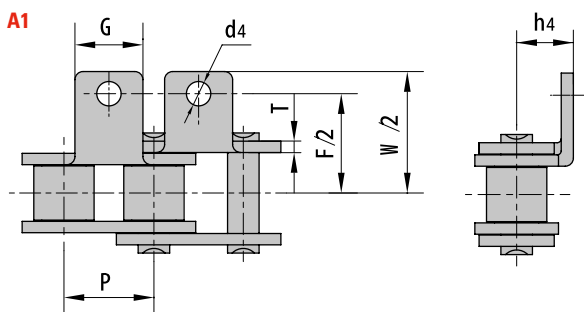
REFERENCE	PITCH	ROLLER DIAMETER	WIDTH BETWEEN INNER PLATES	PIN DIAMETER	PIN LENGTH		INNER PLATE DEPTH	PLATE THICKNESS	TRANSVERSE PITCH	TENSILE STRENGTH	AVERAGE TENSILE STRENGTH	WEIGHT PER METER
	P mm	d1 max mm	b1 min mm	d2 max mm	L max mm	Lc max mm	h2 max mm	t/T max mm	Pt mm	Q min kN/lbf	Qo kN	q Kg/m
TL-C08B-1	12,700	8,51	7,75	4,45	16,7	18,2	11,8	1,60		18,0/4091	19,5	0,80
TL-C10B-1	15,875	10,16	9,65	5,08	19,5	20,9	14,7	1,70		22,4/5091	27,9	1,06
TL-C12B-1	19,050	12,07	11,68	5,72	22,5	25,2	16,0	1,85		29,0/6591	32,2	1,32
TL-C16B-1	25,400	15,88	17,02	8,28	36,1	39,1	21,0/24,0	4,15/3,10		60,0/13636	72,8	3,08/3,49
TL-C20B-1	31,750	19,05	19,56	10,19	41,3	45,0	26,4	4,50/3,50		95,0/21591	106,7	4,16
TL-C24B-1	38,100	25,40	25,40	14,63	53,4	57,8	33,2	6,00/4,80		160,0/36364	178,0	7,47
TL-C28B-1	44,450	27,94	30,99	15,90	65,1	69,5	36,7	7,50/6,00		200,0/45455	222,0	9,90
TL-C32B-1	50,800	29,21	30,99	17,81	66,0	71,0	42,0	7,00/6,00		250,0/56818	277,5	10,45
TL-C08B-2	12,700	8,51	7,75	4,45	31,2	32,2	11,8	1,60	13,92	32,0/7273	38,7	1,45
TL-C10B-2	15,875	10,16	9,65	5,08	36,1	37,5	14,7	1,70	16,59	44,5/10114	57,8	2,00
TL-C12B-2	19,050	12,07	11,68	5,72	42,0	44,7	16,0	1,85	19,46	57,8/13136	66,1	2,62
TL-C16B-2	25,400	15,88	17,02	8,28	68,0	71,0	21,0/24,0	4,15/3,10	31,88	106,0/24091	133,0	6,10/6,92
TL-C20B-2	31,750	19,05	19,56	10,19	77,8	81,5	26,4	4,50/3,50	36,45	170,0/38636	211,2	8,23
TL-C24B-2	38,100	25,40	25,40	14,63	101,7	106,2	33,2	6,00/4,80	48,36	280,0/63636	319,2	14,77
TL-C28B-2	44,450	27,94	30,99	15,90	124,6	129,1	36,7	7,50/6,00	59,56	360,0/81818	406,8	19,82
TL-C32B-2	50,800	29,21	30,99	17,81	124,6	129,6	42,0	7,00/6,00	58,55	450,0/102273	508,5	20,94
TL-C08B-3	12,700	8,51	7,75	4,45	45,1	46,1	11,8	1,60	13,92	47,5/10795	57,8	2,10
TL-C10B-3	15,875	10,16	9,65	5,08	52,7	54,1	14,7	1,70	16,59	66,7/15159	84,5	2,87
TL-C12B-3	19,050	12,07	11,68	5,72	61,5	64,2	16,0	1,85	19,46	86,7/19705	101,8	3,89
TL-C16B-3	25,400	15,88	17,02	8,28	99,8	102,9	21,0/24,0	4,15/3,10	31,88	160,0/36364	203,7	9,12/10,34
TL-C20B-3	31,750	19,05	19,56	10,19	114,2	117,9	26,4	4,50/3,50	36,45	250,0/56818	290,0	11,34
TL-C24B-3	38,100	25,40	25,40	14,63	150,1	154,6	33,2	6,00/4,80	48,36	425,0/96591	493,0	22,10
TL-C28B-3	44,450	27,94	30,99	15,90	184,2	188,7	36,7	7,50/6,00	59,56	530,0/120454	609,5	29,64
TL-C32B-3	50,800	29,21	30,99	17,81	183,2	188,2	42,0	7,00/6,00	58,55	670,0/152273	770,5	31,27



SHORT PITCH CONVEYOR CHAIN ATTACHMENTS

ANSI	REFERENCE	P	G	F	W	T	h ₄	d ₄
		mm	mm	mm	mm	mm	mm	mm
TL-25	TL-04C	6,350	5,6	13,80	23,2	0,80	4,30	3,4
TL-35	TL-06C	9,525	7,9	19,00	28,6	1,30	6,35	3,4
TL-40	TL-08A	12,700	9,5	25,40	35,2	1,50	7,90	3,4
TL-41	TL-085	12,700	9,5	24,00	33,4	1,30	6,90	3,6
TL-50	TL-10A	15,875	12,7	31,75	46,2	2,03	10,30	5,5
TL-60	TL-12A	19,050	15,9	38,10	55,6	2,42	11,90	5,5
TL-80	TL-16A	25,400	19,1	50,80	64,8	3,25	15,90	6,8
TL-100	TL-20A	31,750	25,4	63,50	89,8	4,00	19,80	9,2
TL-120	TL-24A	38,100	28,6	76,20	108,5	4,80	23,00	9,8
TL-140	TL-28A	44,450	34,9	88,90	123,0	5,60	28,60	11,4
TL-160	TL-32A	50,800	38,1	101,60	142,8	6,40	31,75	13,1
TL-200	TL-40A	63,500	50,8	127,00	179,0	8,00	42,88	16,3
*TL-06B	TL-*06B	9,525	8,0	19,04	27,0	1,30	6,50	3,5
TL-08B	TL-08B	12,700	9,5	25,40	36,4	1,60	8,90	4,5
TL-10B	TL-10B	15,875	14,3	31,75	44,6	1,70	10,31	5,3
TL-12B	TL-12B	19,050	16,0	38,10	52,4	1,85	13,46	6,4
TL-16B	TL-16B	25,400	19,1	50,80	72,6	3,10	15,88	6,4
TL-20B	TL-20B	31,750	35,0	63,50	100,5	3,50	19,80	9,0
TL-24B	TL-24B	38,100	30,0	76,20	108,4	4,80	26,67	10,5
TL-28B	TL-28B	44,450	35,0	88,90	123,0	6,00	28,58	13,1
TL-32B	TL-32B	50,800	38,1	101,60	142,8	6,00	31,75	13,1

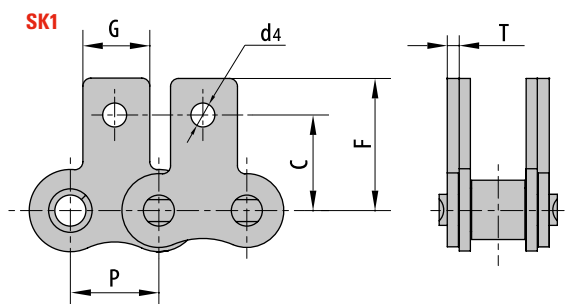
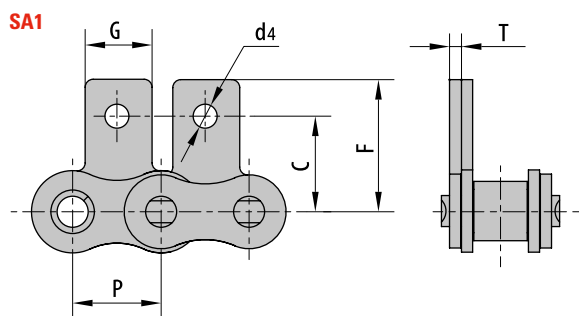
* Straight side plates.



SHORT PITCH CONVEYOR CHAIN ATTACHMENTS

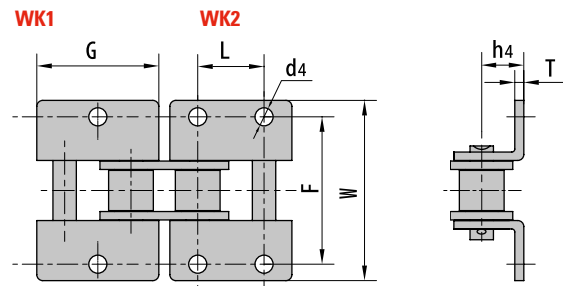
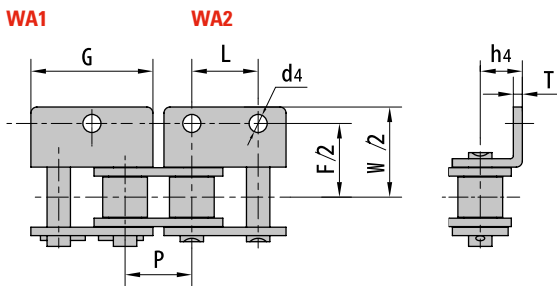
ANSI	REFERENCE	P	G	C	F	T	d ₄
		mm	mm	mm	mm	mm	mm
TL-25	TL-04C	6,350	5,6	7,95	11,70	0,80	3,4
TL-35	TL-06C	9,525	7,9	9,50	14,55	1,30	3,4
TL-40	TL-08A	12,700	9,5	12,70	19,05	1,50	3,4
TL-41	TL-085	12,700	9,5	11,85	16,55	1,30	3,6
TL-50	TL-10A	15,875	12,7	15,90	25,25	2,03	5,5
TL-60	TL-12A	19,050	15,9	18,30	29,33	2,42	5,5
TL-80	TL-16A	25,400	19,1	24,60	34,70	3,25	6,8
TL-100	TL-20A	31,750	25,4	31,80	43,30	4,00	9,2
TL-120	TL-24A	38,100	28,6	36,50	51,60	4,80	9,8
TL-140	TL-28A	44,450	34,9	44,50	62,00	5,60	11,4
TL-160	TL-32A	50,800	38,1	50,80	69,85	6,40	13,1
TL-200	TL-40A	63,500	50,8	63,50	88,90	8,00	16,3
*TL-06B	TL-*06B	9,525	8,0	9,52	13,50	1,30	3,5
TL-08B	TL-08B	12,700	9,5	13,35	18,90	1,60	4,3
TL-10B	TL-10B	15,875	14,3	16,50	22,95	1,70	5,3
TL-12B	TL-12B	19,050	16,0	21,45	28,60	1,85	6,4
TL-16B	TL-16B	25,400	19,1	23,15	34,00	3,10	6,4
TL-20B	TL-20B	31,750	35,0	30,50	45,70	3,50	9,0
TL-24B	TL-24B	38,100	36,0	36,00	61,50	4,80	10,5

* Straight side plates.



REFERENCE	P	G	L	F	W	T	h ₄	d ₄
		mm	mm	mm	mm	mm	mm	mm
TL-*06BK2F2	9,525	17,75	9,520	18,80	26,80	1,15	6,50	3,50
TL-*06BWK2F1	9,525	17,70	9,525	19,50	28,50	1,30	6,70	4,10
TL-06CK2F4	9,525	18,50	9,525	19,10	28,60	1,30	6,45	5,00
TL-08AWA1F2	12,700	24,00		56,40	68,60	2,00	9,60	5,10
TL-08AWA2F2	12,700	23,00	12,700	25,40	35,60	1,50	7,90	3,60
TL-08AWK1F1	12,700	23,00		25,40	35,60	1,50	7,90	4,20
TL-08AWK1F2	12,700	23,00		25,40	35,60	1,50	7,90	M5
TL-08AWK1F3	12,700	23,00		25,52	35,72	1,50	7,90	5,50
TL-08B(W)K2F30	12,700	23,30	12,700	28,18	37,18	1,60	8,40	4,30
TL-08BA1F45	12,700	18,00		27,60	39,60	1,60	8,00	4,30
TL-08BF30WK2	12,700	23,00	12,700	42,00	52,30	1,60	6,50	5,15
TL-08BK2F30	12,700	23,30	12,700	28,20	37,20	1,60	8,40	4,30
TL-08BWA1F1	12,700	23,30		27,40	38,80	1,60	8,00	4,30
TL-08BWA1F16	12,700	23,10		26,00	36,40	1,60	8,90	6,50x4,50
TL-08BWA1F17	12,700	25,00		30,00	45,00	1,60	10,00	8,00
TL-08BWA1F18	12,700	23,30		25,50	35,20	1,60	8,90	6,00
TL-08BWA1F19	12,700	24,00		25,40	36,60	1,60	7,00	M5
TL-08BWA1F6	12,700	24,00		25,40	38,80	1,60	8,90	6,60
TL-08BWA2F25	12,700	24,50	12,700	25,40	35,20	1,60	8,90	4,50
TL-08BWA2F30	12,700	23,30	12,700	30,00	42,00	1,60	8,50	4,30
TL-08BWA2F31	12,700	23,30	14,000	25,40	43,00	1,60	8,90	4,00
TL-08BWA2F33	12,700	23,30	12,700	27,60	40,80	1,60	8,50	4,30
TL-08BWA2F34	12,700	23,60	12,700	32,60	44,60	1,60	9,50	4,20
TL-08BWA2F4	12,700	24,00	12,700	25,40	36,40	1,60	8,90	4,30
TL-08BWA2F6	12,700	25,00	12,500	26,00	35,60	1,60	8,90	4,50
TL-08BWK1F10	12,700	24,00		62,83	75,43	2,00	10,00	5,00
TL-08BWK1F11	12,700	23,30		25,40	35,20	1,60	8,90	5,00
TL-08BWK1F12	12,700	23,30		25,40	35,10	1,60	8,90	M5
TL-08BWK2F2	12,700	23,20	12,700	28,40	42,60	3,00	8,50	5,40

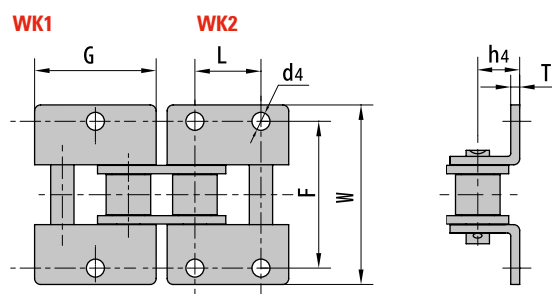
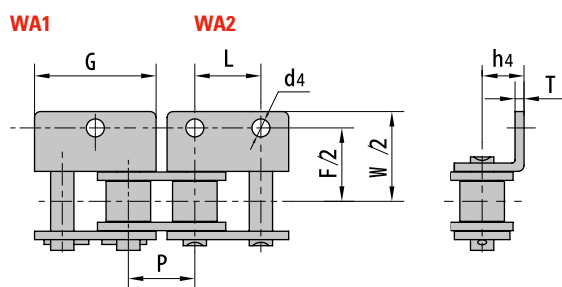
* Straight side plates.



SHORT PITCH CONVEYOR CHAIN ATTACHMENTS

ISO/DIN	P	G	L	F	W	T	h4	d4
	mm	mm	mm	mm	mm	mm	mm	mm
TL-08BWK2F27	12,700	24,00	12,000	30,43	43,43	2,00	10,00	4,30
TL-08BWK2F28	12,700	24,40	12,700	42,00	56,30	1,60	8,50	6,00
TL-08BWK2F29	12,700	25,45	12,700	34,03	45,93	1,50	13,00	6,00
TL-08BWK2F3	12,700	23,20	12,700	32,00	43,60	1,60	10,00	4,50
TL-08BWK2F32	12,700	23,30	12,700	25,40	40,00	1,60	8,90	M5
TL-08BWK2F39	12,700	24,50	12,700	27,60	41,80	1,60	8,50	4,80
TL-08BWK2F4	12,700	24,00	12,700	25,40	36,40	1,60	8,90	4,30
TL-08BWK2F40	12,700	23,10	12,700	26,00	36,40	1,60	8,90	6,50x4,50
TL-08BWK2F5	12,700	24,20	12,700	23,95	34,95	1,55	8,75	4,30
TL-40WK2F2	12,700	24,00	12,700	25,40	34,70	1,50	8,30	3,18
TL-41WA1F4	12,700	22,30		30,00	41,00	1,30	7,20	5,00
TL-428HWK1	12,700	23,30		38,00	56,40	2,42	11,00	5,50
TL-10A(W)A2F1	15,875	24,10	15,875	33,60	43,20	2,03	8,20	3,50
TL-10AWA1F2	15,875	28,80		32,40	42,20	2,03	10,30	5,20
TL-10AWA1F6	15,875	28,80		31,80	46,60	2,03	10,30	6,50
TL-10AWA2F1	15,875	24,10	15,880	30,70	43,89	2,03	10,10	3,90
TL-10AWK1F1	15,875	28,80		31,75	46,00	2,03	10,30	8,20
TL-10AWK1F2	15,875	30,00		31,75	46,00	2,03	10,30	5,20
TL-10BWA1F1	15,875	28,50		52,00	73,00	1,70	10,50	10,00x8,00
TL-10BWA2F2	15,875	28,36	15,760	30,40	39,80	1,60	10,50	5,20
TL-10BWK1F4	15,875	29,58		31,80	44,60	1,70	10,31	7,30x5,50
TL-10BWK2F10	15,875	28,60	15,900	31,80	47,60	1,70	10,30	5,20
TL-10BWK2F2	15,875	28,36	15,760	30,40	39,80	1,60	10,50	5,20
TL-10BWK2F3	15,875	29,90	15,880	31,59	45,59	1,60	10,50	5,30
TL-10BWK2F4	15,875	29,58	15,880	31,71	48,41	1,70	10,31	5,30
TL-10BWK2F8	15,875	29,58	15,875	31,80	44,60	1,70	10,31	7,30x5,50
TL-10BWK2F9	15,875	29,90	15,880	48,20	62,20	1,60	10,50	5,30
TL-*C12BWK2F12	19,050	35,00	19,050	37,20	58,00	1,85	11,00	6,60
TL-12AF99	19,050	34,65	19,050	38,10	56,40	2,42	11,90	5,00

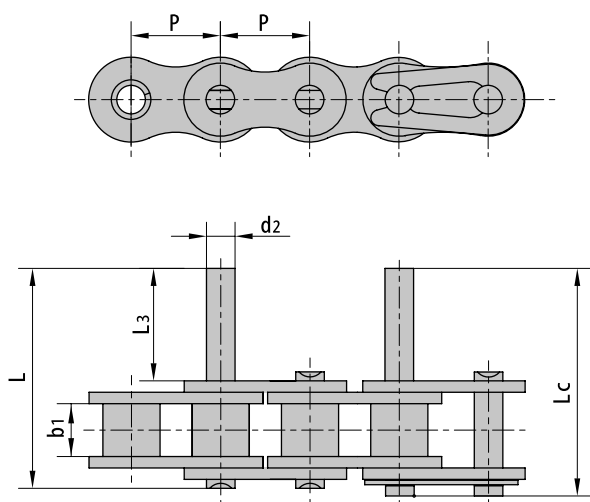
* Straight side plates.



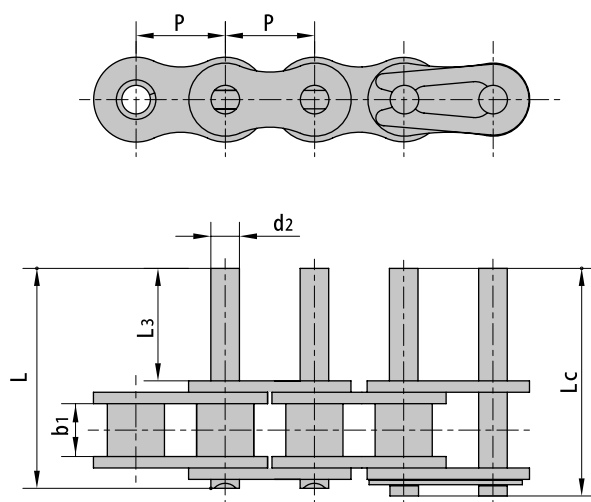
SHORT PITCH CONVEYOR CHAIN WITH EXTENDED PINS

ISO	DIN	P	b ₁	b ₂	L ₃	L	L _c
		mm	mm	mm	mm	mm	mm
TL-35EP	TL-06CEP	9,525	4,77	3,58	9,5	20,8	21,6
TL-40EP	TL-08AEP	12,700	7,85	3,96	9,5	25,1	26,2
TL-50EP	TL-10AEP	15,875	9,40	5,08	11,9	31,3	33,1
TL-60EP	TL-12AEP	19,050	12,57	5,94	14,3	38,6	40,6
TL-80EP	TL-16AEP	25,400	15,75	7,92	19,1	50,3	53,3
TL-100EP	TL-20AEP	31,750	18,90	9,53	23,8	61,8	66,1
TL-120EP	TL-24AEP	38,100	25,22	11,10	28,6	76,4	80,4
TL-140EP	TL-28AEP	44,450	25,22	12,70	33,3	84,8	89,4
TL-160EP	TL-32AEP	50,800	31,55	14,27	38,1	99,6	104,4
TL-08BEP	TL-08BEP	12,700	7,75	4,45	9,5	25,1	26,6
TL-10BEP	TL-10BEP	15,875	9,65	5,08	11,9	30,1	31,5
TL-12BEP	TL-12BEP	19,050	11,68	5,72	14,3	35,4	37,1
TL-16BEP	TL-16BEP	25,400	17,02	8,28	19,1	53,0	54,3
TL-20BEP	TL-20BEP	31,750	19,56	10,19	41,0	79,9	83,6
TL-24BEP	TL-24BEP	38,100	25,40	14,63	50,7	101,4	105,8
TL-28BEP	TL-28BEP	44,450	30,99	15,90	61,9	124,0	128,4
TL-32BEP	TL-32BEP	50,800	30,99	17,81	64,8	126,8	131,8

D1



D3

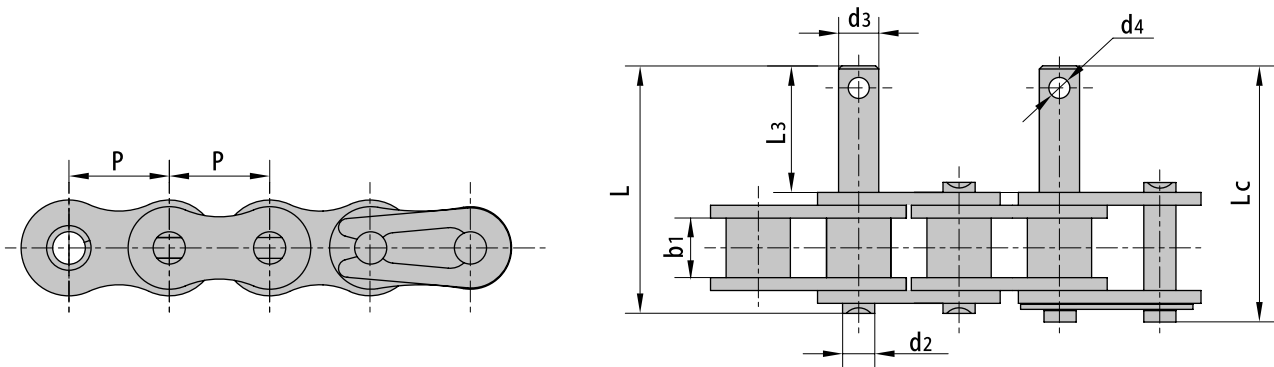


SHORT PITCH CONVEYOR CHAIN WITH SPECIAL EXTENDED PINS

REFERENCE	P	b ₁	d ₂	d ₃	l ₃	L	l _c	d ₄
	mm	mm	mm	mm	mm	mm	mm	mm
TL-06B-D1F21	9,525	-	3,28	5,00	15,00	-	28,40	-
TL-06C-D1F12	9,525	4,77	3,58	3,55	14,75	26,20	-	-
TL-08A-D1F37	12,700	-	3,96	4,85	35,35	-	52,00	-
TL-08A-D1F48	12,700	7,85	3,96	5,00	45,00	-	61,90	-
TL-08A-D1F49	12,700	-	3,96	5,00	35,00	-	51,65	-
TL-08B-D1F53	12,700	7,75	4,45	6,00	20,00	35,60	-	-
TL-08B-D1F67	12,700	7,75	4,45	6,00	15,50	31,40	-	-
TL-08B-D1F74	12,700	7,75	4,45	4,45	16,00	31,70	-	1,60
TL-08B-D1F79	12,700	7,75	4,45	6,00	15,00	30,90	32,20	-
TL-08B-D1F80	12,700	7,75	4,45	6,00	15,00	30,90	-	2,60
TL-08B-D3F101	12,700	7,75	4,45	6,00	9,00	24,80	-	-
TL-08B-D3F95	12,700	7,75	4,45	7,00	25,00	40,80	-	42,30
TL-08B-D4	12,700	7,75	4,45	6,00	15,00	31,20	32,40	-
TL-08B-D7	12,700	7,75	4,45	6,00	14,00	30,20	31,40	2,60
TL-08B-F3	12,700	7,75	4,45	6,00	8,00	24,20	25,40	-
TL-10A-D1F31	15,875	9,40	5,08	8,00	15,00	34,40	-	-
TL-10A-D1F32	15,875	9,40	5,08	7,50	19,00	38,40	-	3,00
TL-10A-D1F36	15,875	9,40	5,08	6,60	20,00	39,40	-	-
TL-10A-D1F40	15,875	9,40	5,08	5,96	25,30	44,70	-	-
TL-10A-D1F43	15,875	-	5,08	8,00	40,00	-	60,90	-
TL-10A-D1F48	15,875	9,40	5,08	6,00	25,00	44,40	-	-
TL-10A-D3F44	15,875	9,40	5,08	6,00	13,60	33,00	-	-
TL-10A-D9	15,875	9,40	5,08	6,35	20,00	39,50	41,10	-
TL-10B-D1F31	15,875	9,65	5,08	6,00	20,00	38,20	-	-
TL-10B-D1F39	15,875	9,65	5,08	5,08	29,90	48,10	-	1,60
TL-10B-D1F42	15,875	9,65	5,08	6,00	51,00	62,90	-	-
TL-10B-D1F45	15,875	9,65	5,08	6,50	18,00	36,30	-	-
TL-10B-D3F50	15,875	9,65	5,08	8,00	9,00	27,20	-	-
TL-10B-D7	15,875	9,65	5,08	6,50	40,00	58,50	60,10	-
TL-10B-F2	15,875	9,65	5,08	6,00	25,00	43,40	44,80	-
TL-10B-F3	15,875	9,65	5,08	8,00	25,00	43,40	44,80	-
TL-12A-D1F30	19,050	12,57	5,94	8,00	28,60	53,10	-	-
TL-12A-D1F36	19,050	12,57	5,94	7,00	43,00	67,60	70,00	-
TL-12A-D1F37	19,050	12,57	5,94	12,70	41,20	65,80	-	-
TL-12A-D1F41	19,050	12,57	5,94	8,00	15,00	39,30	-	-
TL-12A-D1F46	19,050	12,57	5,94	5,94	16,35	40,65	-	2,60
TL-12A-D1F53	19,050	12,57	5,94	8,00	40,00	64,50	-	-
TL-12A-D1F54	19,050	12,57	5,94	8,10	25,50	49,80	-	2,50
TL-12A-D1F55	19,050	12,57	5,94	8,00	40,00	-	66,10	-
TL-12A-D1F61	19,050	12,57	5,94	7,00	42,00	66,30	-	-
TL-12A-D1F72	19,050	12,57	5,94	8,00	35,00	59,30	-	-
TL-12A-D1F77	19,050	12,57	5,94	5,94	30,00	54,50	-	2,00
TL-12A-D1F79	19,050	12,57	5,94	12,00	19,00	43,30	-	3,00
TL-12A-D1F80	19,050	12,57	5,94	5,94	27,00	51,30	-	2,00
TL-12B-D1F100	19,050	11,68	5,72	8,00	24,00	45,10	-	-
TL-12B-D1F106	19,050	11,68	5,72	7,90	36,00	57,20	-	-
TL-12B-D1F42	19,050	11,68	5,72	5,96	16,00	37,30	-	-
TL-12B-D1F43	19,050	11,68	5,72	10,00	40,00	61,30	-	-
TL-12B-D1F51	19,050	11,68	5,72	10,00	18,00	39,30	-	-
TL-12B-D1F55	19,050	11,68	5,72	6,00	20,00	41,10	-	-
TL-12B-D1F77	19,050	11,68	5,72	8,00	40,00	61,10	-	-
TL-12B-D1F81	19,050	11,68	5,72	8,00	26,00	47,10	-	-

NEXT >

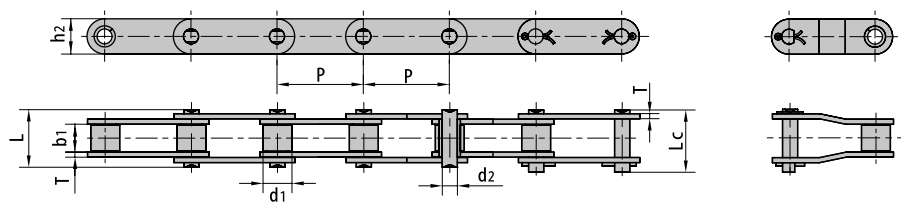
REFERENCE	P	b ₁	d ₂	d ₃	L ₃	L	L _c	d ₄
	mm	mm	mm	mm	mm	mm	mm	mm
TL-12B-D1F85	19,050	11,68	5,72	7,00	22,50	43,60	-	2,00
TL-12B-D1F94	19,050	11,68	5,72	5,72	14,30	35,40	61,00	-
TL-12B-D3F105	19,050	11,68	5,72	6,00	38,10	59,20	-	-
TL-12B-D3F47	19,050	11,68	5,72	6,35	20,00	41,10	-	2,50
TL-12B-D3F87	19,050	11,68	5,72	5,72	23,40	44,50	63,10	-
TL-12B-D5	19,050	11,68	5,72	8,00	40,00	61,40	42,90	-
TL-12B-D6	19,050	11,68	5,72	6,00	20,00	41,10	48,20	-
TL-12B-D7	19,050	11,68	5,72	8,00	25,00	46,40	47,40	-
TL-16A-D1F35	25,400	15,75	7,92	16,00	14,00	45,20	-	3,20
TL-16A-D1F53	25,400	15,75	7,92	10,00	47,00	78,00	-	2,50
TL-16A-D1F55	25,400	15,75	7,92	7,92	22,00	53,20	-	2,00
TL-16A-D1F67	25,400	15,75	7,92	7,92	46,00	76,90	-	3,00
TL-16A-D1F69	25,400	15,75	7,92	7,92	50,10	81,00	-	-
TL-16A-D1F73	25,400	15,75	7,92	8,50	36,20	67,20	87,40	-
TL-16A-D3F2	25,400	-	7,92	12,70	50,00	-	-	-
TL-16A-D3F22	25,400	15,75	7,92	8,40	36,00	67,10	55,70	-
TL-16A-D3F48	25,400	15,75	7,92	9,00	21,00	51,90	54,70	2,50
TL-16AF1-D3F1	25,400	15,75	7,92	9,00	20,00	51,20	-	-
TL-16B-D1F34	25,400	17,02	8,28	12,00	20,50	54,50	-	-
TL-16B-D1F38	25,400	17,02	8,28	14,00	22,00	55,90	-	3,30
TL-16B-D1F43	25,400	17,02	8,28	10,00	23,10	57,00	-	-
TL-16B-D1F48	25,400	17,02	8,28	9,00	25,00	58,90	54,40	1,50
TL-16B-D3F30	25,400	17,02	8,28	6,20	19,00	53,00	68,90	-
TL-16B-D3F56	25,400	17,02	8,28	10,00	32,00	65,90	-	3,00
TL-20A-D1F11	31,750	18,90	9,53	9,53	20,30	62,00	-	2,00
TL-20A-D1F19	31,750	18,90	9,53	9,53	22,00	60,00	76,40	-
TL-20A-D1F21	31,750	-	9,53	9,53	38,10	-	-	3,20
TL-20B-D3F10	31,750	19,56	10,19	10,19	16,00	54,90	-	4,00
TL-24A-D1F16	38,100	25,22	11,10	11,10	42,00	89,80	-	4,00
TL-24B-D3F2	38,100	25,40	14,63	14,63	99,60	156,60	-	-
TL-32A-D1F3	50,800	31,55	14,27	18,00	45,00	106,80	-	-



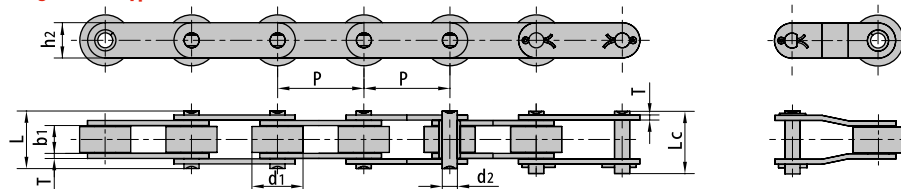
ISO & ANSI DOUBLE PITCH CONVEYOR CHAINS

ISO	ANSI	PITCH	ROLLER DIAMETER	INNER PLATES WIDTH	PIN DIAMETER	PIN LENGTH		INNER PLATE DEPTH	PLATE THICKNESS	TENSILE STRENGTH	AVERAGE TENSILE STRENGTH	WEIGHT PER METER
						L max mm	Lc max mm					
TL-C208A	C2040	25,40	7,95	7,85	3,96	16,6	17,8	12,0	1,50	14,1/3205	16,7	0,50
TL-C208AL	C2042	25,40	15,88	7,85	3,96	16,6	17,8	12,0	1,50	14,1/3205	16,7	0,84
TL-C208AH	C2040H	25,40	7,95	7,85	3,96	18,8	19,9	12,0	2,03	14,1/3205	17,2	0,65
TL-C208AHL	C2042H	25,40	15,88	7,85	3,96	18,8	19,9	12,0	2,03	14,1/3205	17,2	1,00
TL-C208B		25,40	8,51	7,75	4,45	16,7	18,2	11,8	1,60	18,0/4091	19,4	0,55
TL-C208BL		25,40	15,88	7,75	4,45	16,7	18,2	11,8	1,60	18,0/4091	19,4	0,89
TL-C210A	C2050	31,75	10,16	9,40	5,08	20,7	22,2	15,0	2,03	22,2/5045	28,1	0,78
TL-C210AL	C2052	31,75	19,05	9,40	5,08	20,7	22,2	15,0	2,03	22,2/5045	28,1	1,27
TL-C210B		31,75	10,16	9,65	5,08	19,5	20,9	14,7	1,70	22,4/5036	24,6	0,75
TL-C210BL		31,75	19,05	9,65	5,08	19,5	20,9	14,7	1,70	22,4/5036	24,6	1,21
TL-C212A	C2060	38,10	11,91	12,57	5,94	25,9	27,7	18,0	2,42	31,8/7227	36,8	1,12
TL-C212AL	C2062	38,10	22,23	12,57	5,94	25,9	27,7	18,0	2,42	31,8/7227	36,8	1,61
TL-C212AH	C2060H	38,10	11,91	12,57	5,94	29,2	31,6	18,0	3,25	31,8/7227	41,6	1,44
TL-C212AHL	C2062H	38,10	22,23	12,57	5,94	29,2	31,6	18,0	3,25	31,8/7227	41,6	2,07
TL-C212B		38,10	12,07	11,68	5,72	22,5	24,2	16,0	1,85	29,0/6519	31,9	0,90
TL-C212BL		38,10	22,23	11,68	5,72	22,5	24,2	16,0	1,85	29,0/6519	31,9	1,55
TL-C216A	C2080	50,80	15,88	15,75	7,92	32,7	36,5	24,0	3,25	56,7/12886	65,7	2,08
TL-C216AL	C2082	50,80	28,58	15,75	7,92	32,7	36,5	24,0	3,25	56,7/12886	65,7	3,12
TL-C216AH	C2080H	50,80	15,88	15,75	7,92	36,2	39,4	24,0	4,00	56,7/12886	70,0	2,54
TL-C216AHL	C2082H	50,80	28,58	15,75	7,92	36,2	39,4	24,0	4,00	56,7/12886	70,0	3,58
TL-C216B		50,80	15,88	17,02	8,28	36,1	39,1	21,0	4,15/3,10	60,0/13489	66,0	2,14
TL-C216BL		50,80	28,58	17,02	8,28	36,1	39,1	21,0	4,15/3,10	60,0/13489	66,0	3,27
TL-C220A	C2100	63,50	19,05	18,90	9,53	40,4	44,7	30,0	4,00	88,5/20114	102,6	3,01
TL-C220AL	C2102	63,50	39,67	18,90	9,53	40,4	44,7	30,0	4,00	88,5/20114	102,6	4,83
TL-C220AH	C2100H	63,50	19,05	18,90	9,53	43,6	46,9	30,0	4,80	88,5/20114	112,4	3,56
TL-C220AHL	C2102H	63,50	39,67	18,90	9,53	43,6	46,9	30,0	4,80	88,5/20114	112,4	5,38
TL-C220B		63,50	19,05	19,56	10,19	41,3	45,0	26,4	4,50/3,50	95,0/21357	104,5	2,93
TL-C220BL		63,50	39,67	19,56	10,19	41,3	45,0	26,4	4,50/3,50	95,0/21357	104,5	5,01
TL-C224A	C2120	76,20	22,23	25,22	11,10	50,3	54,3	35,7	4,80	127,0/28864	147,3	4,66
TL-C224AL	C2122	76,20	44,45	25,22	11,10	50,3	54,3	35,7	4,80	127,0/28864	147,3	7,66
TL-C224AH	C2120H	76,20	22,23	25,22	11,10	53,5	57,5	35,7	5,60	127,0/28864	160,9	5,26
TL-C224AHL	C2122H	76,20	44,45	25,22	11,10	53,5	57,5	35,7	5,60	127,0/28864	160,9	8,26
TL-C224B		76,20	25,40	25,40	14,63	53,4	57,8	33,2	6,00/4,80	160,0/35969	176,0	5,17
TL-C224BL		76,20	44,45	25,40	14,63	53,4	57,8	33,2	6,00/4,80	160,0/35969	176,0	7,88
TL-C232A	C2160	101,60	28,58	31,75	14,27	64,8	69,6	47,8	6,40	226,8/51545	278,9	8,15
TL-C232AL	C2162	101,60	57,15	31,75	14,27	64,8	69,6	47,8	6,40	226,8/51545	278,9	13,00
TL-C232AH	C2160H	101,60	28,58	31,75	14,27	68,2	73,0	47,8	7,20	226,8/51545	285,8	9,06
TL-C232AHL	C2162H	101,60	57,15	31,75	14,27	68,2	73,0	47,8	7,20	226,8/51545	285,8	13,84

Small Roller Type



Large Roller Type

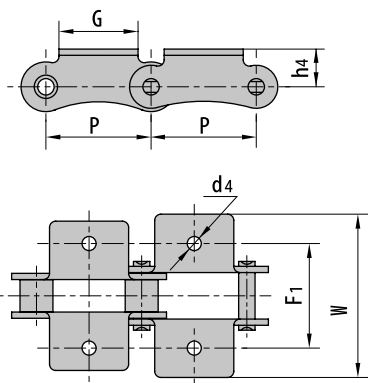


DOUBLE PITCH CONVEYOR CHAIN ATTACHMENTS

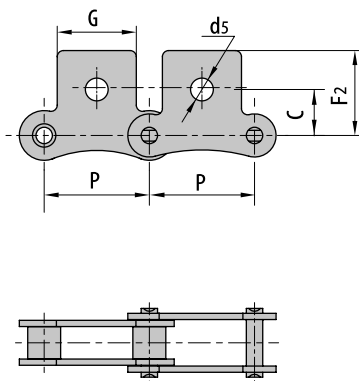
DIN/ISO	ANSI	P	G	F ₁	W	h ₄	d ₄	C	F ₂	d ₅
		mm	mm	mm	mm	mm	mm	mm	mm	mm
TL-208A	TL-2040	25,40	19,1	25,4	39,6	9,1	3,4	11,1	20,5	5,5
TL-210A	TL-2050	31,75	23,8	31,8	49,0	11,1	5,5	14,3	25,0	6,6
TL-212A	TL-2060	38,10	28,6	42,9	67,8	14,7	5,5	17,5	32,9	9,2
TL-216A	TL-2080	50,80	38,1	55,6	87,8	19,1	6,8	22,2	43,5	11,0
TL-220A	TL-2100	63,50	47,6	66,6	107,5	23,4	9,2	28,6	50,4	13,0
TL-224A	TL-2120	76,20	57,2	79,3	121,4	27,8	10,5	33,3	55,5	15,0
TL-208B		25,40	23,2	25,4	39,6	9,1	4,5	11,1	20,5	5,5
TL-210B		31,75	23,8	31,8	49,0	11,1	5,5			
TL-212B		38,10	35,0	38,1	57,0	14,7	6,6			
TL-216B		50,80	44,0	50,8	84,0	19,1	6,6			
TL-220B		63,50	52,0	63,5	104,0	23,4	8,4			
TL-224B		76,20	60,0	76,2	120,0	27,8	10,5			

REFERENCE	P	G	L	F ₁	W	h ₄	d ₄	C	F ₂	d ₅
	mm	mm	mm	mm	mm	mm	mm	mm	mm	mm
TL-208BA1F4	25,40	23,80		26,20	39,40	10,00	4,30			
TL-2060HK1F26	38,10	28,60		42,90	67,80	14,70	8,50			
TL-212BK2F2	38,10	36,20		34,90	55,50	13,00	6,20			
TL-212BA0F1	38,10	50,80			72,80	14,70				
TL-216BSA2F1	50,80	45,00	25,50					30,00	40,00	7,50

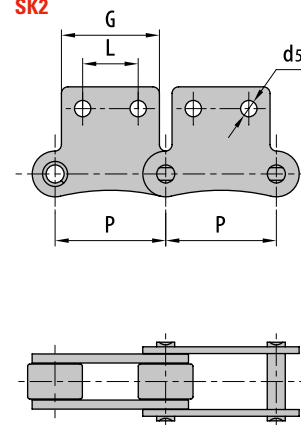
K1



SK1



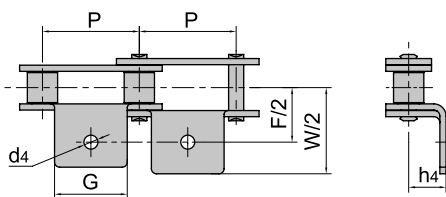
SK2



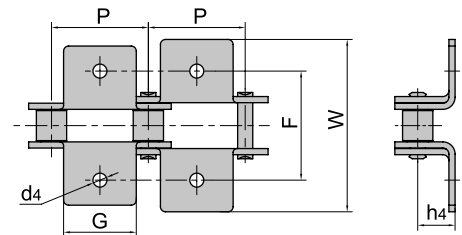
DOUBLE PITCH CONVEYOR CHAIN ATTACHMENTS

ISO	ANSI	P	G	L	F	W	h ₄	d ₄
		mm	mm	mm	mm	mm	mm	mm
TL-C208A	TL-C2040	25,40	19,1	9,5	25,4	39,6	9,1	3,4
TL-C208AL	TL-C2042							
TL-C208B		25,40	23,2	12,7	25,4	39,6	9,1	4,5
TL-C208BL								
TL-C210A	TL-C2050	31,75	23,8	11,9	31,8	49,0	11,1	5,5
TL-C210AL	TL-C2052							
TL-C212A	TL-C2060	38,10	28,6	14,3	42,9	67,8	14,7	5,5
TL-C212AL	TL-C2062							
TL-C212AH	TL-C2060H	38,10	28,6	14,3	42,9	67,8	14,7	5,5
TL-C212AHL	TL-C2062H							
TL-C216A	TL-C2080	50,80	38,1	19,1	55,6	87,8	19,1	6,8
TL-C216AL	TL-C2082							
TL-C216AH	TL-C2080H	50,80	38,1	19,1	55,6	87,8	19,1	6,8
TL-C216AHL	TL-C2082H							
TL-C220A	TL-C2100	63,50	47,6	23,8	66,6	107,5	23,4	9,2
TL-C220AL	TL-C2102							
TL-C220AH	TL-C2100H	63,50	47,6	23,8	66,6	107,5	23,4	9,2
TL-C220AHL	TL-C2102H							
TL-C224A	TL-C2120	76,20	57,2	28,6	79,3	121,4	27,8	11,0
TL-C224AL	TL-C2122							
TL-C224AH	TL-C2120H	76,20	57,2	28,6	79,3	121,4	27,8	11,0
TL-C224AHL	TL-C2122H							
TL-C232A	TL-C2160	101,60	76,2	38,1	104,7	151,6	36,5	13,1
TL-C232AL	TL-C2162							
TL-C232AH	TL-C2160H	101,60	76,2	38,1	104,7	151,6	36,5	13,1
TL-C232AHL	TL-C2162H							

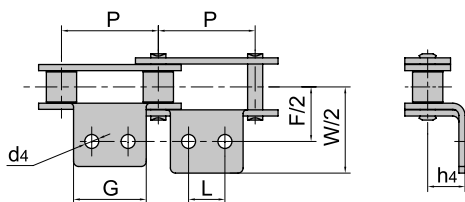
A1



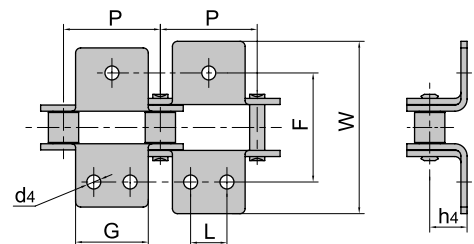
K1



A2

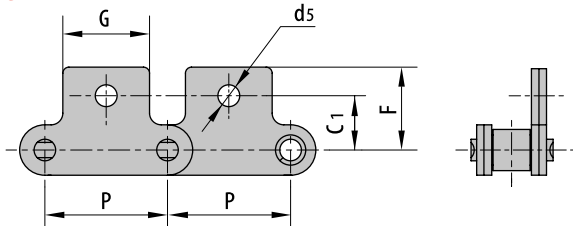


K2

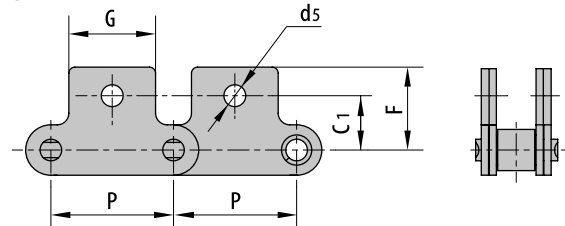


REFERENCE	ANSI	P	G	L	C ₁	C ₂	F	d ₄	d ₅
		mm	mm	mm	mm	mm	mm	mm	mm
TL-C208A	C2040	25,40	19,10	9,50	11,1	13,50	20,5	3,4	5,50
TL-C208AL	C2042								
TL-C208BC		25,40	23,20	12,70	11,1	13,50	20,5	4,5	5,50
TL-208BL									
TL-C210A	C2050	31,75	23,80	11,90	14,3	15,90	25,0	5,5	6,60
TL-C210AL	C2052								
TL-C212A	C2060	38,10	28,60	14,30	17,5	19,10	32,9	5,5	9,20
TL-C212AL	C2062								
TL-C212AH	C2060H	38,10	28,60	14,30	17,5	19,10	32,9	5,5	9,20
TL-C212AHL	C2062H								
TL-C216A	C2080	50,80	38,10	19,10	22,2	25,40	43,5	6,6	11,00
TL-C216AL	C2082								
TL-C216AH	C2080H	50,80	38,10	19,10	22,2	25,40	43,5	6,6	11,00
TL-C216AHL	C2082H								
TL-C220A	C2100	63,50	47,60	23,80	28,6	31,80	50,4	8,4	13,00
TL-C220AL	C2102								
TL-C220AH	C2100H	63,50	47,60	23,80	28,6	31,80	50,4	8,4	13,00
TL-C220AHL	C2102H								
TL-C2042HWSA2		25,40	37,30	9,50		13,50	20,5	3,4	
TL-C2050HWSA2F1		31,75	46,75	31,75		15,90	25,0	5,5	
TL-C2060SA2F1		38,10	28,60	14,30		19,10	26,1	5,5	
TL-C2062HSK2F1		38,10	28,60	14,30		19,10	23,8	5,2	
TL-C2060HSK1F1		38,10	28,60		17,3		30,0		11,80
TL-C216AH2F		50,80	38,10	19,10		25,40	43,5	6,5	
TL-C2082F58SA1		50,80	38,50		27,0		39,5		8,10
TL-C2100HSA1		63,50	47,60		28,6		50,4		13,00
TL-C224ALSK2F1		76,20	57,20	28,60		37,30	59,9		11,00
TL-C2122HSA1F1		76,20	57,20		37,3		59,9		14,30
TL-C224AHLA2F1		76,20	57,20	28,60		37,30	59,9		9,53
TL-208BSK1F2		25,40	14,00		17,7		21,3		3,20
TL-208BSK1F3		25,40	13,00		14,7		26,7		3,10
TL-208BSK1F4		25,40	24,20		14,3		20,5		4,20

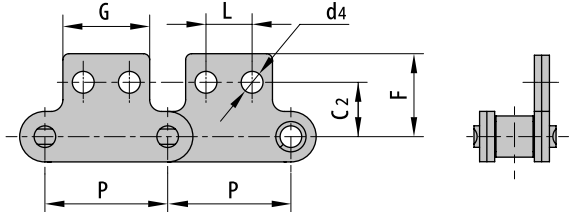
SA1



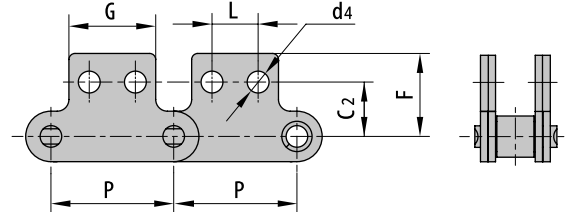
SK1



SA2



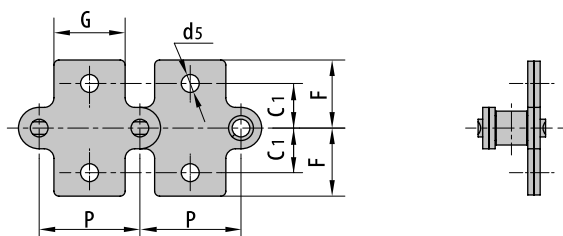
SK2



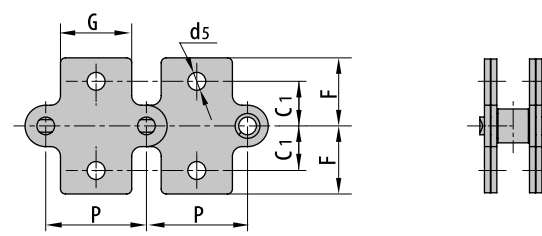
DOUBLE PITCH CONVEYOR CHAIN ATTACHMENTS

REFERENCE	ANSI	P	G	L	C ₁	C ₂	F	d ₄	d ₅
		mm	mm	mm	mm	mm	mm	mm	mm
TL-C208A	C2040	25,40	19,1	9,5	11,10	13,5	20,50	3,4	5,5
TL-C208AL	C2042								
TL-C208B		25,40	23,2	12,7	11,10	13,5	20,50	4,5	5,5
TL-C208BL									
TL-C210A	C2050	31,75	23,8	11,9	14,30	15,9	25,00	5,5	6,6
TL-C210AL	C2052								
TL-C212A	C2060	38,10	28,6	14,3	17,50	19,1	32,90	5,5	9,2
TL-C212AL	C2062								
TL-C212AH	C2060H	38,10	28,6	14,3	17,50	19,1	32,90	5,5	9,2
TL-C212AHL	C2062H								
TL-C216A	C2080	50,80	38,1	19,1	22,20	25,4	43,50	6,6	11,0
TL-C216AL	C2082								
TL-C216AH	C2080H	50,80	38,1	19,1	22,20	25,4	43,50	6,6	11,0
TL-C216AHL	C2082H								
TL-C2040F23SAA1		25,40	19,1		11,15		19,75		5,4
TL-C2060HSAA1F1		38,10	24,0		25,40		43,50	11,0	
TL-C2120SAA2F1		76,20	45,0	30,0		28,0	35,00	6,5	10,5

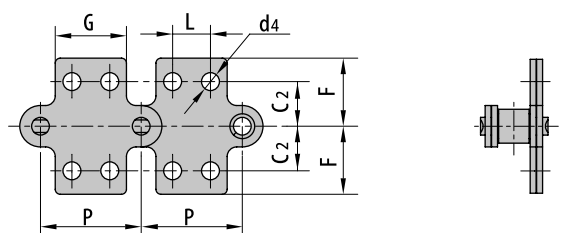
SAA1



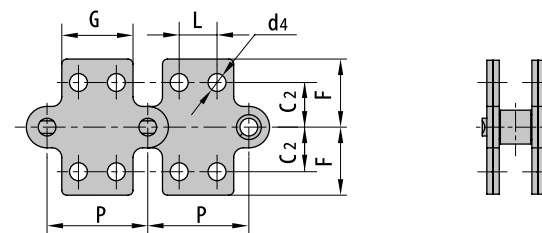
SKK1



SAA2

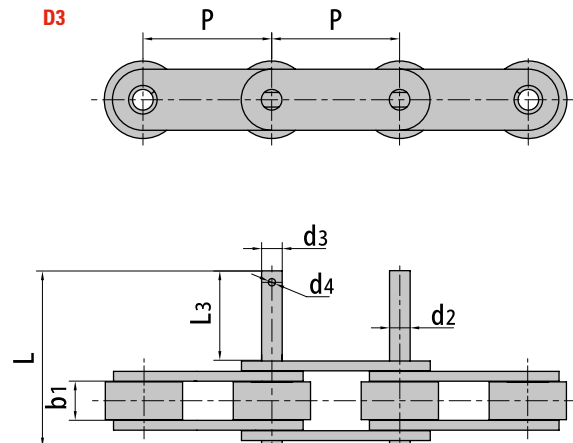
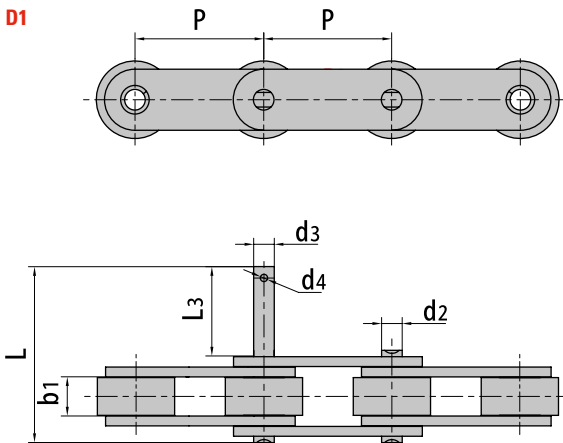


SKK2



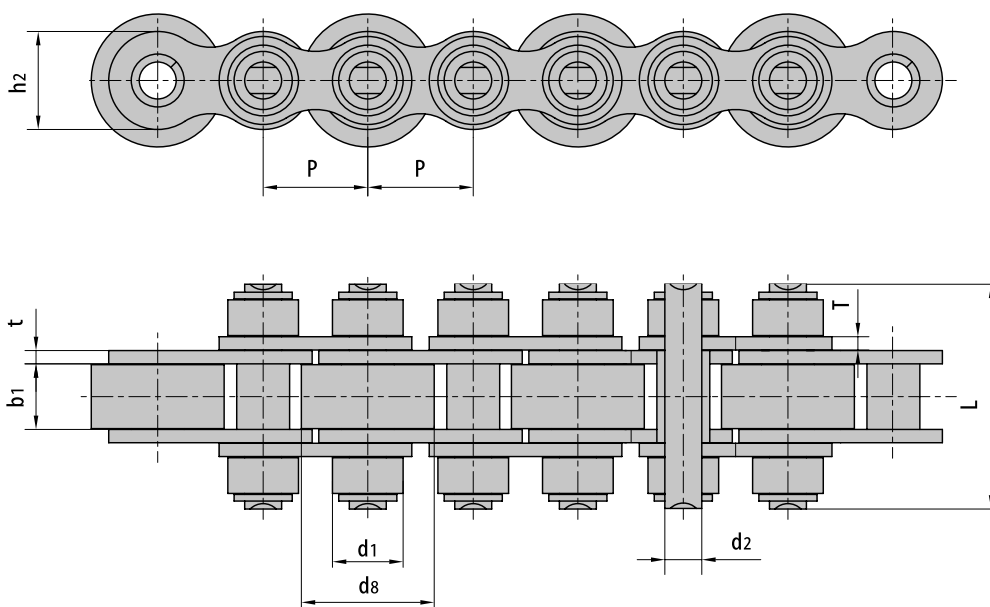
DOUBLE PITCH CONVEYOR CHAIN WITH EXTENDED PINS

REFERENCE	P	B1	L2	L	d2	d3	d4
Chain No.	mm	mm	mm	mm	mm	mm	mm
TL-2040-D3F12	25,400	7,85	8,00	23,70	3,96	6,00	-
TL-208B-D3F17	25,400	7,75	19,40	35,10	4,45	4,65	4,60
TL-C2040-D1F23	25,400	7,85	37,00	52,60	3,96	5,50	-
TL-C2040-D3F13	25,400	7,85	31,75	47,35	3,96	7,94	-
TL-C2040-D3F15	25,400	7,85	20,40	36,00	3,96	4,45	1,50
TL-C2042-D1F20	25,400	7,85	35,00	51,00	3,96	6,00	-
TL-C208B-D3F19	25,400	7,75	15,20	31,00	4,48	8,30	-
TL-210B-D1F3	31,750	9,65	33,00	51,40	5,08	8,00	-
TL-C2052-D13F2	31,750	9,40	23,40	43,00	5,08	6,00	-
TL-C2052-D1F23	31,750	9,40	40,00	59,70	5,08	6,35	-
TL-C2052-D1F27	31,750	9,40	20,00	41,10	5,08	9,00	-
TL-C2052-D1F28	31,750	9,40	21,00	42,10	5,08	9,30	-
TL-C2052-D1F52	31,750	9,40	30,00	49,50	5,08	9,00	-
TL-C2052-D1F54	31,750	9,40	22,00	41,60	5,08	5,08	1,80
TL-C2052-D1F71	31,750	9,40	20,00	41,10	5,08	7,00	-
TL-C2052-D1F72	31,750	9,40	50,00	71,20	5,08	8,00	-
TL-C2052-D3F20	31,750	9,40	22,00	41,60	5,08	5,70	-
TL-C2052F56-D1SS	31,750	9,00	25,70	49,90	5,08	5,55	-
TL-C2060H-D1F57	38,100	12,57	35,00	52,80	5,94	10,00	-
TL-C2060H-D3F44	38,100	12,57	25,00	55,50	5,94	M8	-
TL-C2060SLR-D3F55	38,100	12,57	14,30	40,50	5,94	5,94	2,00
TL-C2062-D1F32	38,100	12,57	18,50	43,00	5,94	9,00	-
TL-C2062-D1F40	38,100	12,57	30,00	54,60	5,94	8,00	-
TL-C2062-D1F54	38,100	12,57	25,00	49,40	5,94	7,95	2,50
TL-C2062-D3F31	38,100	12,57	35,00	59,50	5,94	10,00	-
TL-C2062H-D1F47	38,100	12,57	30,00	57,80	5,94	7,95	2,50
TL-C2062H-D1F58	38,100	12,57	29,20	57,00	5,94	9,80	-
TL-C2062H-D1F68	38,100	12,57	26,00	53,80	5,94	5,94	2,00
TL-C2062HF99	38,100	12,57	50,00	80,80	5,94	10,00	-
TL-C2062HNP-D1F59	38,100	12,57	22,20	50,20	5,94	12,70	-
TL-216B-D1F4	50,800	17,02	20,00	54,10	8,28	12,00	-
TL-C2082-D1F21	50,800	15,75	24,50	55,60	7,92	12,00	-
TL-C2082-D1F8	50,800	15,75	30,00	61,20	7,92	8,50	-
TL-C2082H-D1F10	50,800	15,75	30,00	64,40	7,92	8,50	-
TL-C2082H-D1F12	50,800	15,75	20,00	54,20	7,92	9,00	3,20
TL-C2082H-D1F22	50,800	15,75	25,40	60,00	7,92	15,88	-
TL-C2102H-D3F5	63,500	18,90	37,00	78,50	9,53	9,53	2,50

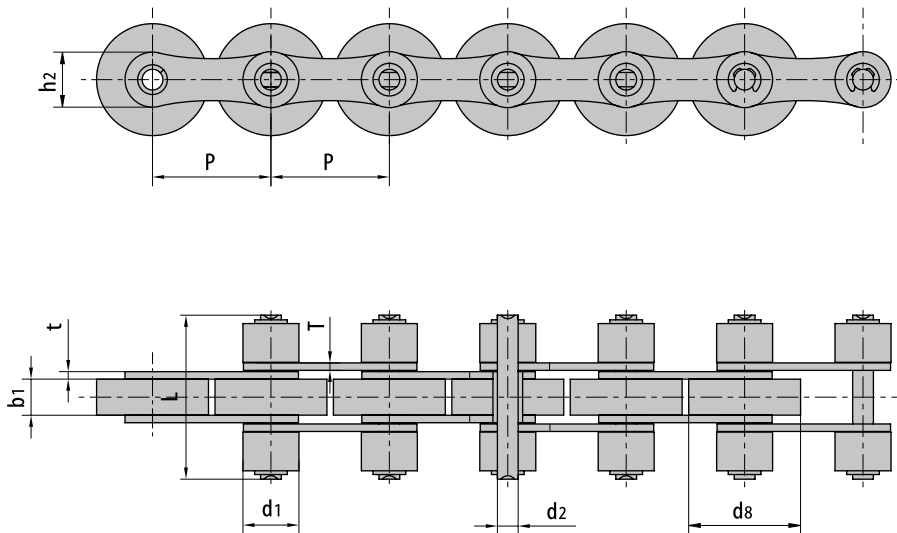


CONVEYOR CHAINS WITH LARGE ROLLERS

ISO	PITCH	ROLLER DIAMETER		WIDTH BETWEEN INNER PLATES	PIN DIAMETER	PIN LENGTH	PLATE DIMENSION		TENSILE STRENGTH	AVERAGE TENSILE STRENGTH
		d1 max mm	d8 max mm	b1 min mm			d2 max mm	L max mm	h2 max mm	t/T max mm
TL-08BS-27-P16/C16	12,70	8,51	16,0	7,75	4,45	27,0	11,8	1,60/1,50	18,0/4091	19,8
TL-08BS-33-C16	12,70	8,51	16,0	7,75	4,45	33,0	11,8	1,60/1,50	18,0/4046	19,8
TL-08BSF8-27-C16	12,70	8,51	16,0	7,75	4,45	27,0	11,8	1,60/1,50	18,0/4046	19,8
TL-12BS	19,05	12,07	28,0	11,68	5,72	45,0	16,0	1,85	28,9/6568	31,7
TL-12BS-40-P28/C28	19,05	12,07	28,0	11,68	5,72	40,0	16,0	1,85	29,0/6591	31,7
TL-12BS-43-P26/C26	19,05	12,07	26,0	11,68	5,72	43,0	16,0	1,85	29,0/6591	31,7
TL-12BS-43-P28/C28	19,05	12,07	28,0	11,68	5,72	43,0	16,0	1,85	29,0/6591	31,7
TL-12BS-48-P24/C24	19,05	12,07	24,0	11,68	5,72	48,0	16,0	1,85	29,0/6591	31,7
TL-12BS-48-P26/C26	19,05	12,07	26,0	11,68	5,72	48,0	16,0	1,85	29,0/6591	31,7
TL-12BS-48-P28/C28	19,05	12,07	28,0	11,68	5,72	48,0	16,0	1,85	29,0/6591	31,7
TL-12BS-58-P28/C28	19,05	12,70	28,0	11,68	5,72	58,0	16,0	1,85	29,0/6591	31,7
TL-16BS-65-P38/C38	25,40	15,88	38,0	17,02	8,28	65,0	21,0	4,15/3,10	60,0/13636	72,8
TL-100SF1-85-C45	31,75	19,05	45,0	25,50	9,53	85,0	30,0	4,00	86,7/19490	104,0
TL-212BS-43-P48	38,10	12,07	48,0	11,68	5,72	43,0	16,0	1,85	28,9/6568	31,7

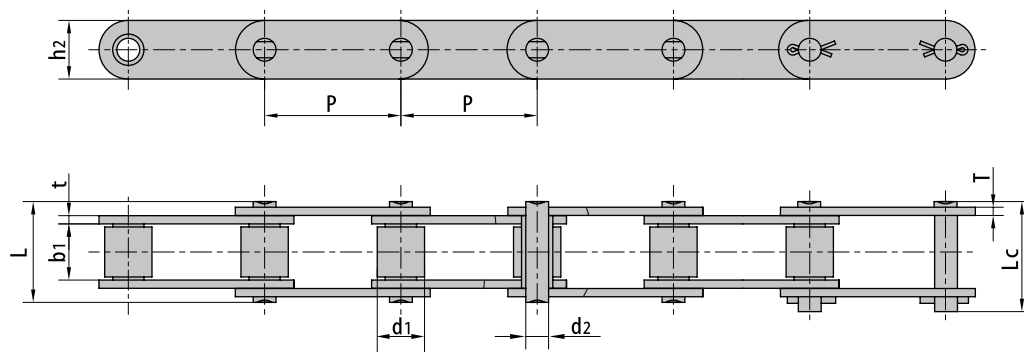


REFERENCE	PITCH	ROLLER DIAMETER		WIDTH BETWEEN INNER PLATES	PIN DIAMETER	PIN LENGTH	PLATE DIMENSION		TENSILE STRENGTH	AVERAGE TENSILE STRENGTH
		d1 max mm	d8 max mm	b1 min mm	d2 max mm	L max mm	h2 max mm	t/T max mm	Q min kN/lbf	Q0 kN
TL-16BS-65-C24	25,4	15,88	24,0	17,02	8,28	65,0	21,0	4,15/3,10	60,0/13636	72,8
TL-208BS-35-C24	25,4	12,00	24,0	7,75	4,45	35,0	11,8	1,60	18,0/4091	19,8
TL-208BSF1-35-P24	25,4	12,00	24,0	7,75	4,45	35,0	11,8	1,60	18,0/4091	19,8
TL-212BS-48-C28	38,1	12,07	28,0	11,68	5,72	48,0	16,0	1,85	28,9/6568	31,7
TL-212BSF2	38,1	12,07	28,0	11,68	5,72	43,0	16,0	1,85	28,9/6568	31,7
TL-212BSF3	38,1	12,07	28,0	11,68	5,72	48,0	16,0	1,85	28,9/6568	31,7
TL-212BSF4	38,1	12,07	24,0	11,68	5,72	48,0	16,0	1,85	28,9/6568	31,7
TL-212BSF4-48-C24	38,1	12,07	24,0	11,68	5,72	48,0	16,0	2,03	32,0/7194	35,2
TL-212BSF5-43-C28	38,1	12,07	28,0	11,68	5,72	43,0	16,0	1,85	28,9/6568	31,7
TL-216BS-65-P50	50,8	15,88	50,0	17,02	8,28	65,0	21,0	4,15/3,10	60,0/13636	72,8
TL-216BS-65-C38,5	50,8	15,88	38,5	17,02	8,28	65,0	21,0	4,15/3,10	60,0/13636	72,8
TL-216BS-65-C40	50,8	15,88	40,0	17,02	8,28	65,0	21,0	4,15/3,10	60,0/13636	72,8
TL-63PS	63,0	40,00	50,0	24,50	14,00	91,5	35,0	5,10	90,0/20232	135,0
TL-63PSF1	63,0	38,00	46,0	21,60	12,00	84,0	30,0	4,00	66,6/15000	85,0

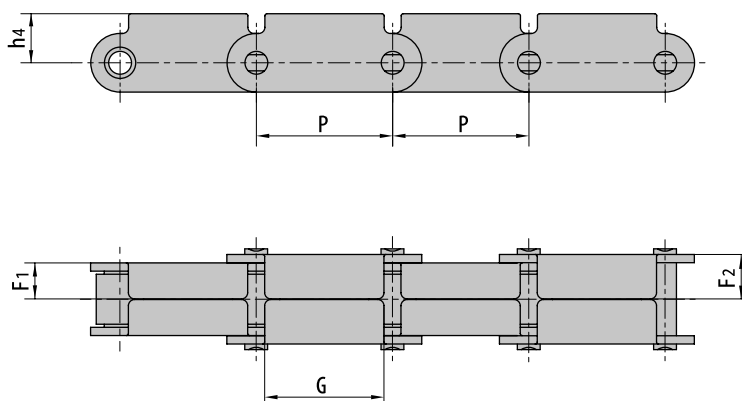


LUMBER CONVEYOR CHAINS & ATTACHMENTS

REFERENCE	PITCH	ROLLER DIAMETER	WIDTH BETWEEN INNER PLATES	PIN DIAMETER	PIN LENGTH		INNER PLATE DEPTH	PLATE THICKNESS	TENSILE STRENGTH	AVERAGE TENSILE STRENGTH	WEIGHT PER METER
					L max mm	Lc max mm					
TL-P42,47F1	42,47	22,20	27,00	11,10	49,0	53,5	28,60	4,00	97,0/21806	106,7	4,74
TL-500R	50,00	25,40	25,40	14,63	52,0	56,4	40,00	5,00	100,0/22727	114,5	7,13
TL-500RF1	50,00	25,40	25,40	14,63	53,4	60,1	40,00	5,00	120,0/29376	132,0	7,23
TL-81X	66,27	23,00	27,00	11,10	49,0	53,5	28,50	4,00	106,7/24250	128,9	3,78
TL-81XF14	66,27	23,00	27,00	11,10	50,8	53,8	28,70	4,00	85,5/19426	91,4	3,78
TL-81XH	66,27	23,00	27,78	11,10	60,7	65,1	31,35	7,94/5,55	151,9/34523	175,7	5,88
TL-81XHE	66,27	22,20	27,00	11,10	59,5	63,0	28,50	6,30	83,3/18927	89,1	5,09
TL-81XHH	66,27	23,00	27,78	11,10	65,6	70,0	31,35	7,94	191,1/43432	212,6	6,70
TL-81XHS	66,27	23,00	27,00	11,10	63,6	68,0	31,80	7,60	152,0/34545	177,2	6,55
TL-441,100R	100,00	25,40	25,40	14,63	52,0	56,4	40,00	5,00	100,0/22727	114,5	5,15
TL-P100F271	100,00	25,40	25,40	14,63	54,0	58,0	40,00	5,00	100,0/22480	110,0	5,22

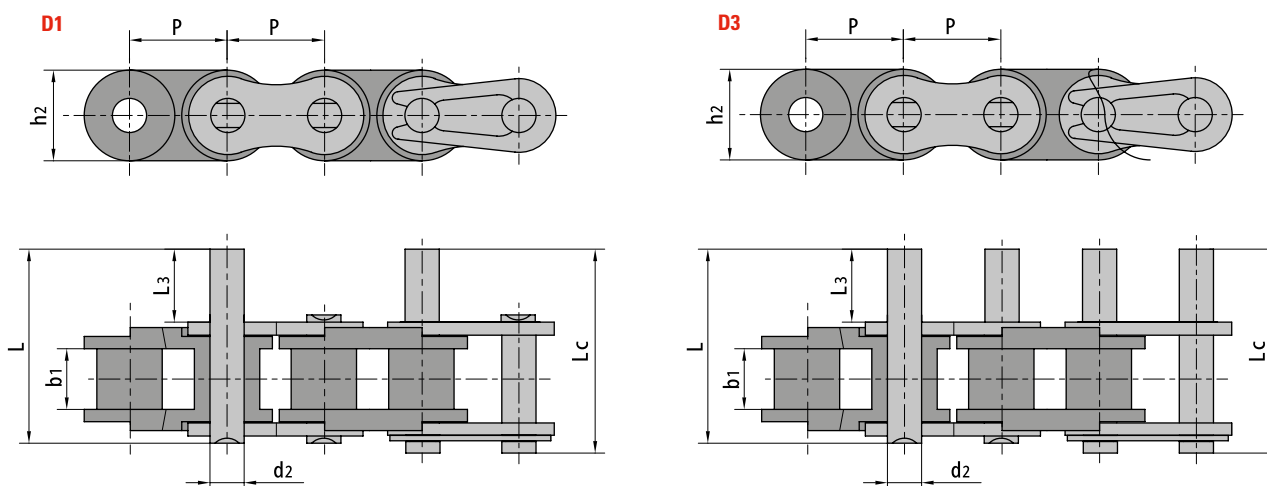


REFERENCE	P	F1	F2	G	h4
	mm	mm	mm	mm	mm
TL-81XF1(RT)	66,27	17,50	21,80	58,00	23,85



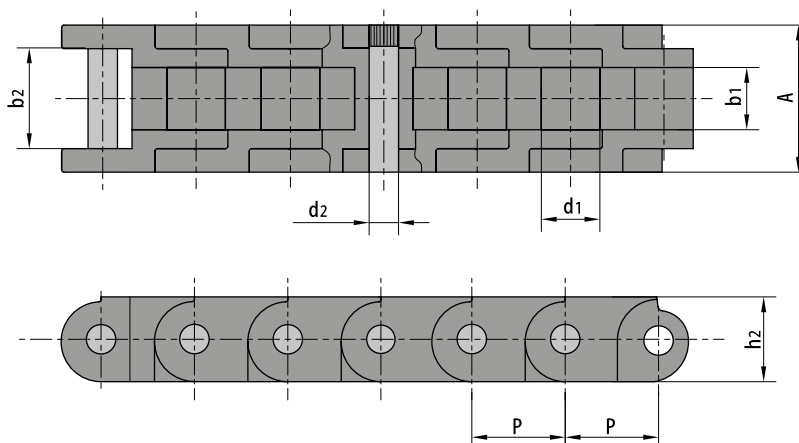
ENGINEERING PLASTIC INNER LINK LIGHT DUTY CONVEYOR CHAINS

REFERENCE	P	b ₁	d ₂	h ₂	L ₃	L	L _c
	mm	mm	mm	mm	mm	mm	mm
TL-06CPSa	9,525	4,68	3,58	9,0	9,5	20,8	21,6
TL-08APSa	12,700	7,85	3,96	12,0	9,5	25,1	26,2
TL-10APSa	15,875	9,40	5,08	15,1	11,9	31,3	33,1
TL-12APSa	19,050	12,57	5,94	18,0	14,3	38,6	40,6
TL-16APSa	25,400	15,75	7,92	24,0	19,1	50,3	53,3
TL-08BPSa	12,700	7,75	4,45	11,8	9,5	25,1	26,6
TL-10BPSa	15,875	9,65	5,08	14,7	11,9	30,1	31,5
TL-12BPSa	19,050	11,68	5,72	16,0	14,3	35,4	37,1
TL-16BPSa	25,400	17,02	8,28	21,0	19,1	53,0	54,3



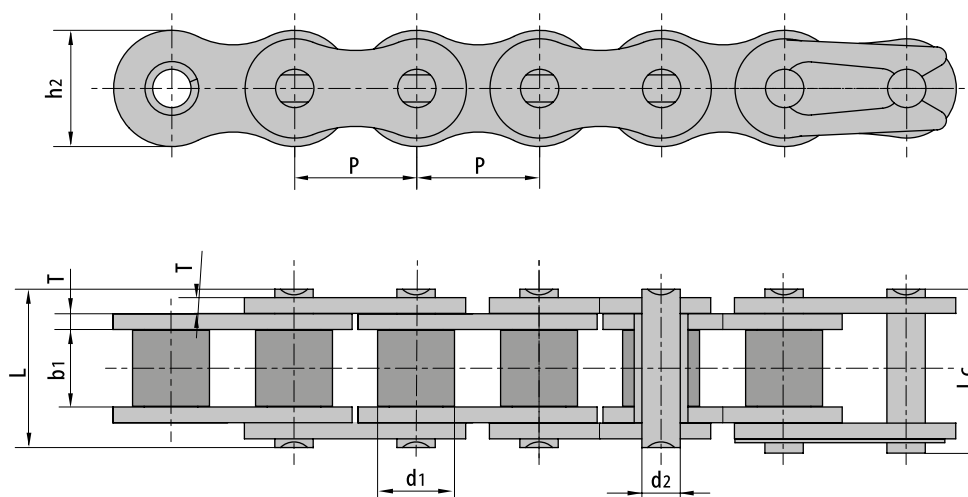
PLASTIC CHAINS

REFERENCE	P	b ₁	b ₂	d ₂	d ₁	A	h ₂	MAX ALLOWED LOAD
	mm	mm	mm	mm	mm	mm	mm	kN/lbf
TL-PD60	19,05	12,7	20,7	6	11,94	30	17,3	0,88/198



CONVEYOR CHAINS WITH PLASTIC ROLLERS

REFERENCE	PITCH	ROLLER DIAMETER	WIDTH BETWEEN INNER PLATES	PIN DIAMETER	PIN LENGTH		INNER PLATE DEPTH	PLATE THICKNESS	TENSILE STRENGTH	AVERAGE TENSILE STRENGTH	WEIGHT PER METER
					L max mm	Lc max mm					
TL-40-P	12,700	7,95	7,85	3,96	16,60	17,80	12,00	1,50	14,1/3205	17,5	0,56
TL-50-P	15,875	10,16	9,40	5,08	20,70	22,20	15,09	2,03	22,2/5045	29,4	0,96
TL-60-P	19,050	11,91	12,57	5,94	25,90	27,70	18,00	2,42	31,8/7227	41,5	1,35
TL-80-P	25,400	15,88	15,75	7,92	32,70	35,00	24,00	3,25	56,7/12886	69,4	2,26
TL-A2050-P	31,750	10,16	9,40	5,08	20,70	22,20	15,00	2,03	22,2/5045	28,1	0,61

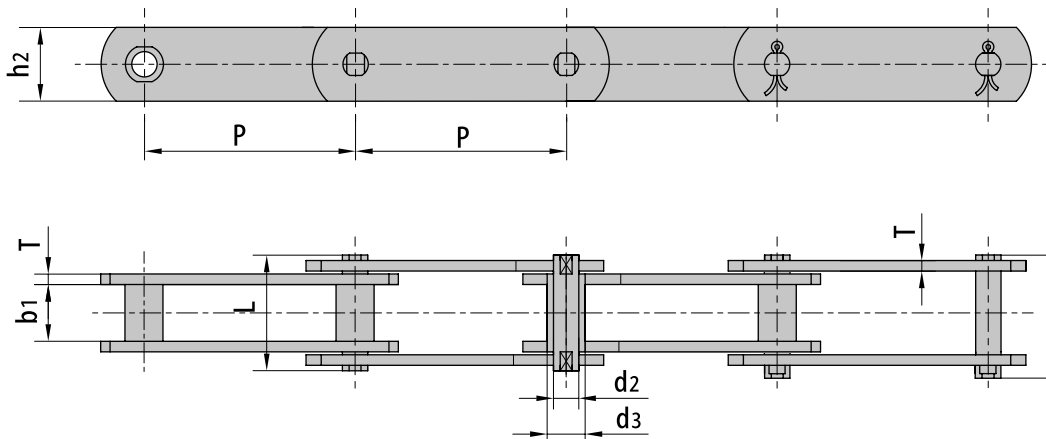


CONVEYOR CHAINS FV SERIES

REFERENCE	PITCH						ROLLER DIMENSION					BUSH DIAMETER	
	P mm						d1 max mm	d4 max mm	d5 max mm	d6 max mm	G mm	d3 max mm	
TL-FV40	50,0	63,0	80,0	100,0	125,0		32,0	20,0	40,0	50,0	4,0	15,0	
TL-FV63	50,0	63,0	80,0	100,0	125,0	160,0	40,0	26,0	50,0	63,0	5,0	18,0	
TL-FV90	63,0	80,0	100,0	125,0	160,0	200,0	250,0	48,0	30,0	63,0	78,0	6,5	20,0
TL-FV112	80,0	100,0	125,0	160,0	200,0	250,0		55,0	32,0	72,0	90,0	7,5	22,0
TL-FV140	63,0	100,0	125,0	160,0	200,0	250,0		60,0	36,0	80,0	100,0	9,0	26,0
TL-FV180	100,0	125,0	160,0	200,0	250,0	315,0		70,0	42,0	100,0	125,0	13,0	30,0
TL-FV250	125,0	160,0	200,0	250,0	315,0	400,0		80,0	50,0	125,0	155,0	15,0	36,0
TL-FV315	160,0	200,0	250,0	315,0	400,0			90,0	60,0	140,0	175,0	18,0	42,0

DIN	WIDTH BETWEEN INNER PLATES	PIN DIAMETER	PIN LENGTH		PLATE DEPTH	PLATE THICKNESS	TENSILE STRENGTH	
	b1 min mm	d2 max mm	L min mm	Lc max mm	h2 max mm	T max mm	Q min kN/lbf	*Q min kN/lbf
TL-FV40	18,0	10,0	36,0	39,0	25,0	3,0	40,0/9091	47,0/10681
TL-FV63	22,0	12,0	45,0	48,5	30,0	4,0	63,0/14317	75,0/17045
TL-FV90	25,0	14,0	53,0	56,5	35,0	5,0	90,0/20453	115,0/26136
TL-FV112	30,0	16,0	62,0	66,0	40,0	6,0	112,0/25452	170,0/38636
TL-FV140	35,0	18,0	67,0	71,5	45,0	6,0	140,0/31815	180,0/40908
TL-FV180	45,0	20,0	86,0	92,0	50,0	8,0	180,0/40908	250,0/56817
TL-FV250	55,0	26,0	97,0	103,5	60,0	8,0	250,0/56817	300,0/68181
TL-FV315	65,0	30,0	113,0	126,5	70,0	10,0	315,0/71591	480,0/109089

*Q stands for the tensile strength after hardening.

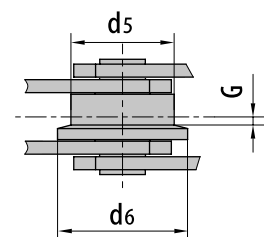
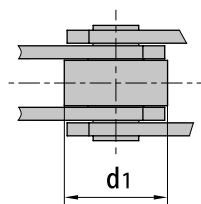
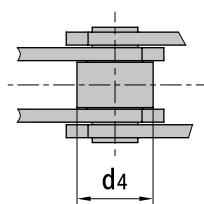
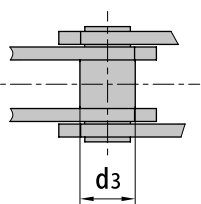


without rollers

with S small rollers type

with P large rollers type

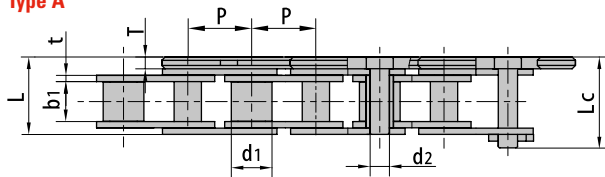
with F flanged rollers type



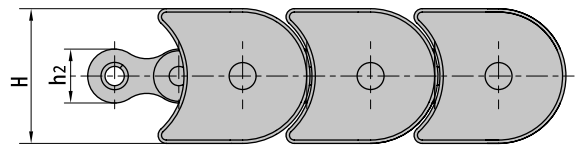
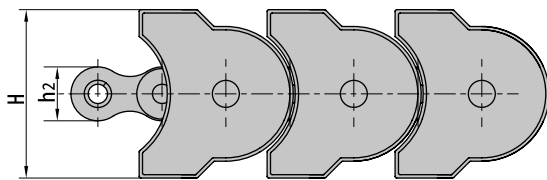
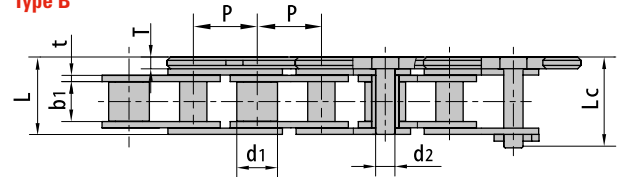
TOP PLATE CONVEYOR CHAINS

REFERENCE	PITCH	ROLLER DIAMETER	WIDTH BETWEEN INNER PLATES	PIN DIAMETER	PIN LENGTH		PLATE DIMENSION		ATTACHMENT DIMENSION		TENSILE STRENGTH	WEIGHT PER METER	TYPE
	P mm	d1 max mm	b1 min mm	d2 max mm	L max mm	Lc max mm	h2 max mm	t mm	H mm	T mm	Q min kN/lbf	q Kg/m	
TL-TOS50	19,05	12,07	11,68	5,72	23,3	27,28	16,0	1,85	50,0	3,50	29,0/6591	2,35	A
TLTOS50F1	25,40	12,07	11,68	5,72	22,8	27,28	21,0	1,85	50,0	3,50	29,0/6591	2,95	B
TL-TOS80	38,10	15,88	15,75	7,92	32,4		27,3	3,25	82,6	3,25	55,6/12636	4,91	B

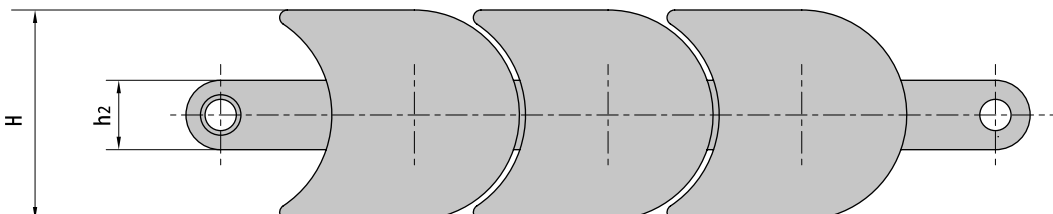
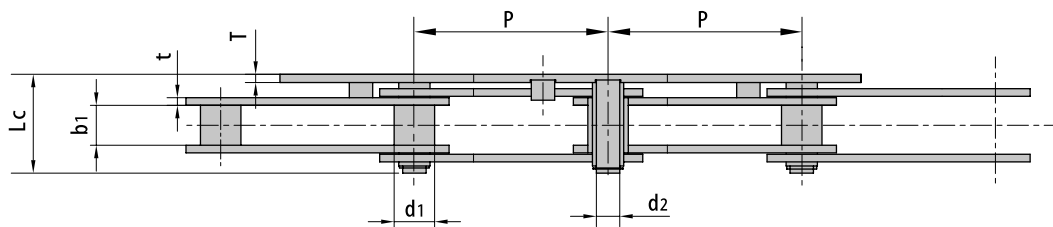
Type A



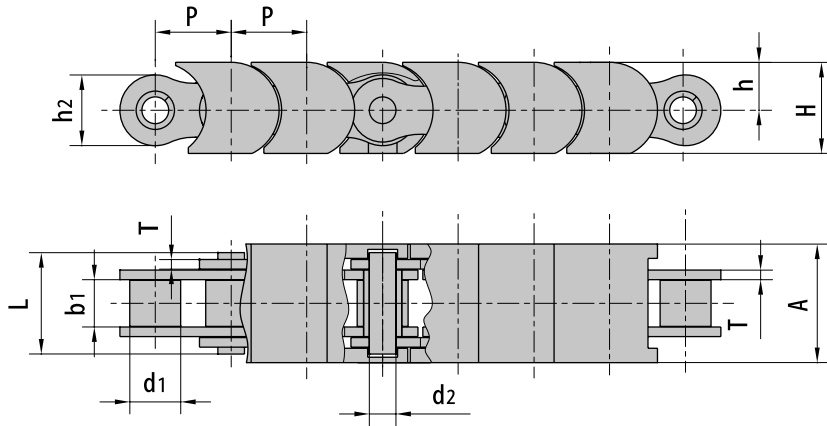
Type B



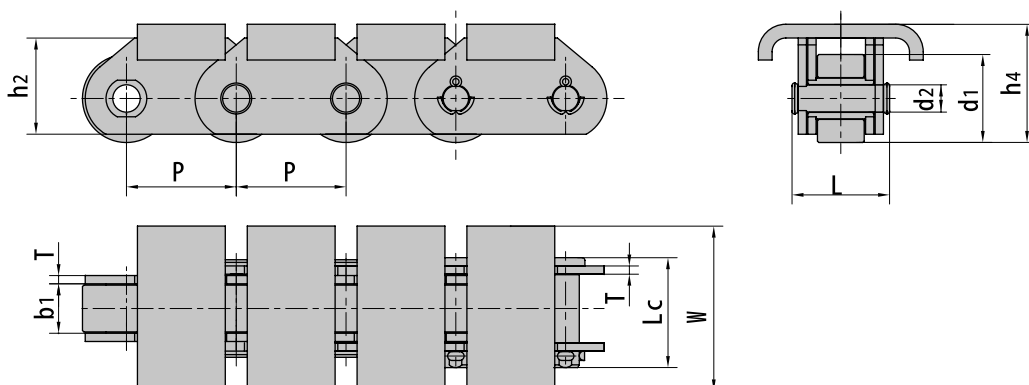
REFERENCE	PITCH	ROLLER DIAMETER	WIDTH BETWEEN INNER PLATES	PIN DIAMETER	PIN LENGTH	PLATE DIMENSION		ATTACHMENT DIMENSION		TENSILE STRENGTH	WEIGHT PER METER
	P mm	d1 max mm	b1 min mm	d2 max mm	Lc max mm	h2 max mm	t mm	H mm	T mm	Q min kN/lbf	q Kg/m
TL-76HP	76,2	15,92	15,7	9,2	37,5	27,3	3,0	82,6	3,0	45,0/10227	2,76



REFERENCE	PITCH	ROLLER DIAMETER	WIDTH BETWEEN INNER PLATES	PIN DIAMETER	PIN LENGTH	PLATE DIMENSION		PLASTIC ATTACHMENT DIMENSION			TENSILE STRENGTH
						h2 max mm	T max mm	A mm	h mm	H mm	Q min kN/lbf
TL-08B-TP	12,700	8,51	7,75	4,45	16,7	11,8	1,60	19,8	8,0	15,2	18,0/4091
TL-10B-TP	15,875	10,16	9,65	5,08	19,5	14,7	1,70	24,8	9,5	17,5	22,4/5091
TL-12B-TP	19,050	12,07	11,68	5,72	22,5	16,0	1,85	29,8	11,0	19,8	29,0/6591



REFERENCE	PITCH	ROLLER DIAMETER	WIDTH BETWEEN INNER PLATES	PIN DIAMETER	PIN LENGTH		PLATE DEPTH	PLATE THICKNESS	ATTACHMENT DIMENSION		TENSILE STRENGTH	WEIGHT PER METER
					L max mm	Lc max mm			h2 max mm	T max mm	W mm	h4 mm
TL-P40F3	40,0	32,0	18,0	10,00	36,1	40,2	35,0	3,0	60,0	43,00	40,0/9091	7,27
TL-P40F5	40,0	32,0	18,0	10,00	36,1	40,2	35,0	3,0	59,5	42,00	40,0/9091	7,16
TL-P63F6	63,0	48,0	25,0	14,00	52,0	57,0	45,0	5,0	130,0	56,50	63,0/14172,3	16,22
TL-P63F9	63,0	48,0	25,0	14,00	52,0	57,0	45,0	5,0	80,0	56,50	63,0/14172,3	13,66
TL-P63F26	63,0	48,0	25,0	14,00	56,0	61,0	45,0	6,0	95,0	56,50	70,0/15736	14,10
TL-P63F15	63,0	40,0	20,0	12,00	43,2	47,0	40,0	4,0	90,0	30,00	60,0/13488	12,14
TL-P63F31	63,0	48,0	25,0	14,00	52,0	57,0	45,0	5,0	105,0	55,50	120,0/26976	14,05
TL-P63F32	63,0	48,0	25,0	14,00	56,0	61,0	45,0	6,0	110,0	56,50	70,0/15736	16,80
TL-P76.2F19	76,2	38,1	27,5	11,10	59,1	63,5	35,0	6,4	63,5	50,05	150,0/33721	11,35
TL-P76.2F27	76,2	47,6	19,0	19,05	69,5	77,0	50,0	10,0	82,0	78,80	90,0/20232	15,47
TL-P100F174	100,0	48,0	25,4	14,00	59,0	63,4	44,5	6,4	101,6	54,90	90,0/20232	14,05

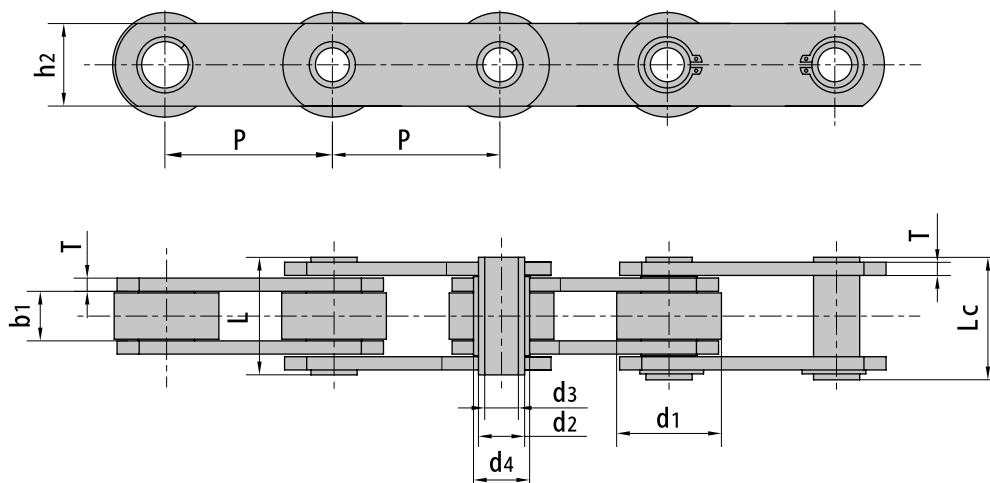


HOLLOW PIN CONVEYOR CHAINS. MC SERIES

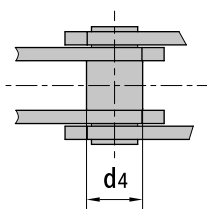
REFERENCE	PITCH						ROLLER DIMENSION				BUSH DIAMETER	PLATE DEPTH
	P mm						d1 max mm	d7 max mm	d5 max mm	b11 mm	d4 max mm	h2 max mm
TL-MC28	63,0	80,0	100,0	125,0	160,0		36,0	25,0	45,0	4,5	17,5	25,0
TL-MC56	80,0	100,0	125,0	160,0	200,0	250,0	50,0	30,0	60,0	5,0	21,0	35,0
TL-MC112	100,0	125,0	160,0	200,0	250,0	315,0	70,0	42,0	85,0	7,0	29,0	50,0
TL-MC224	160,0	200,0	250,0	315,0	400,0	500,0	100,0	60,0	120,0	10,0	41,0	70,0

DIN	WIDTH BETWEEN INNER PLATES	PIN DIAMETER		PIN LENGTH		PLATE THICKNESS	TENSILE STRENGTH	
	b1 min mm	d2 max mm	d3 min mm	L max mm	Lc max mm	T max mm	Q min kN/lbf	*Q min kN/lbf
TL-MC28	20,0	13,0	8,2	36,0	38,5	3,5	28,0/6364	40,0/9091
TL-MC56	24,0	15,5	10,2	45,0	47,5	4,0	56,0/12727	90,0/20454
TL-MC112	32,0	22,0	14,3	62,5	64,3	6,0	112,0/25454	180,0/40908
TL-MC224	43,0	31,0	20,3	83,0	85,5	8,0	224,0/50909	350,0/79544

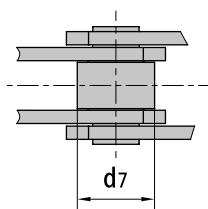
*Q stands for the tensile strength after hardening.



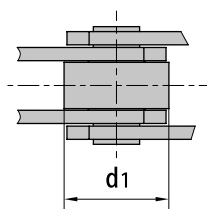
without rollers



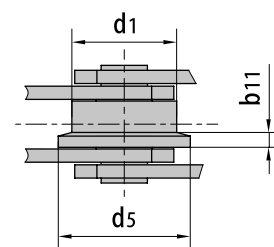
with S small rollers type



with P large rollers type

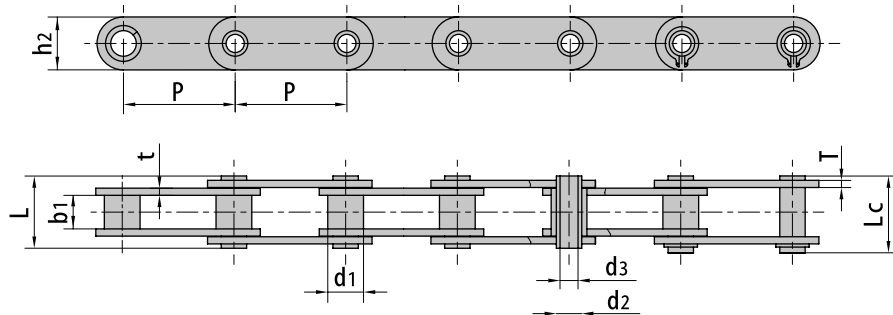


with F flanged rollers type

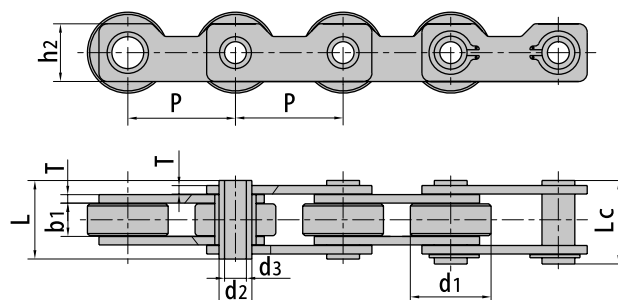


HOLLOW PIN CONVEYOR CHAINS

REFERENCE	PITCH	BUSH DIAMETER	WIDTH BETWEEN INNER PLATES	PIN DIAMETER		PIN LENGTH		INNER PLATE DEPTH	PLATE THICKNESS	TENSILE STRENGTH	AVERAGE TENSILE STRENGTH	WEIGHT PER METER
				d2 max mm	d3 min mm	L max mm	Lc max mm					
TL-HP12.5	12,500	8,51	8,20	6,65	4,50	16,4	17,6	11,60	1,50/1,30	8,0/1819	8,8	0,61
TL-C08BHP	12,700	8,51	7,75	6,55	4,50	16,4	17,6	11,80	1,60/1,30	11,0/2500	11,5	0,62
TL-C40HP	12,700	7,95	7,85	5,63	4,00	16,5	17,6	12,00	1,50	11,0/2500	12,2	0,64
TL-C50HP	15,875	10,16	9,40	7,03	5,13	20,7	21,9	15,09	2,03	20,0/4545	22,6	1,05
TL-C60HP	19,050	11,91	12,70	8,31	6,00	25,8	26,8	18,00	2,42	24,0/5455	26,9	1,52
TL-C80HP	25,400	15,88	15,75	11,40	8,05	32,5	33,8	24,00	3,25	50,0/11364	52,0	2,63
TL-C2040HP	25,400	7,95	7,85	5,63	4,00	16,5	17,6	12,00	1,50	11,0/2500	12,6	0,46
TL-C2040HPF1	25,400	7,95	7,85	5,63	M4	16,5	17,6	12,00	1,50	9,0/2045	9,9	0,44
TL-C2050HP	31,750	10,16	9,40	7,22	5,12	20,5	21,8	15,00	2,03	20,4/4636	22,8	0,76
TL-C2060HP	38,100	11,91	12,70	8,31	6,00	25,8	26,8	17,00	2,42	24,0/5455	27,1	1,02
TL-C2060H-HP	38,100	11,91	12,70	8,31	6,00	29,2	30,2	17,00	3,25	24,0/5455	27,1	1,29
TL-HB38.1F8	38,100	10,16	9,65	7,10	5,40	20,4		16,00	2,03	13,0/2954	14,3	0,67
TL-HB38.1F15	38,100	18,00	21,00	12,00	8,10	47,8	49,0	34,00	5,60	50,0/11364	52,0	5,72
TL-HP40F1	40,000	18,00	22,00	12,00	8,00	47,5	48,2	35,00	5,00	57,0/13049	63,8	5,38
TL-HP40F2	40,000	18,00	22,00	12,00	8,20	47,5	48,2	35,00	5,00	57,0/13049	63,0	5,37
TL-HP50F1	50,000	26,00	14,50	20,00	14,70	35,3	36,2	40,00	3,10	30,0/6818	33,6	3,98
TL-HP50F7	50,000	18,00	15,00	14,00	10,20	36,0	37,5	26,00	4,00	40,0/9091	43,2	2,56
TL-HP50F10	50,000	18,00	22,00	12,10	8,30	39,5	40,6	30,00	3,00	45,0/10227	48,0	2,73
TL-HP50F16	50,000	18,00	17,00	14,50	10,20	39,0	40,0	27,00	4,00	40,0/9091	44,0	2,83
TL-C2080HP	50,800	15,88	15,75	11,40	8,05	32,5	33,8	24,00	3,25	50,0/11364	52,0	1,81
TL-HB55	55,000	18,00	22,00	14,00	10,00	43,4	44,5	30,00	4,00	50,0/11364	52,0	3,31
TL-HB55F1	55,000	24,00	24,00	17,00	12,00	52,0	53,5	40,00	5,00	90,0/20455	100,0	6,34



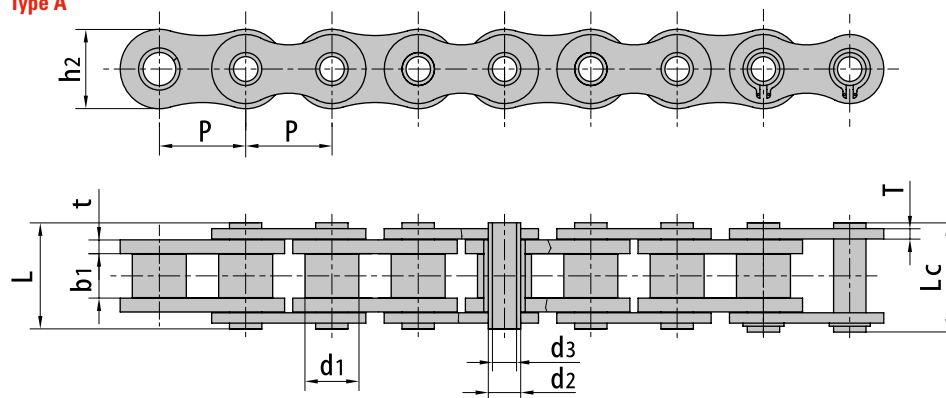
REFERENCE	PITCH	ROLLER DIAMETER	WIDTH BETWEEN INNER PLATES	PIN DIAMETER		PIN LENGTH		INNER PLATE DEPTH	PLATE THICKNESS	TENSILE STRENGTH	AVERAGE TENSILE STRENGTH	WEIGHT PER METER
				d2 max mm	d3 min mm	L max mm	Lc max mm					
TL-HB50.8F1	50,8	38,1	15,7	15,5	10,3	35,2	36,7	27,2	4,00	55,46/51650	58,8	4,97



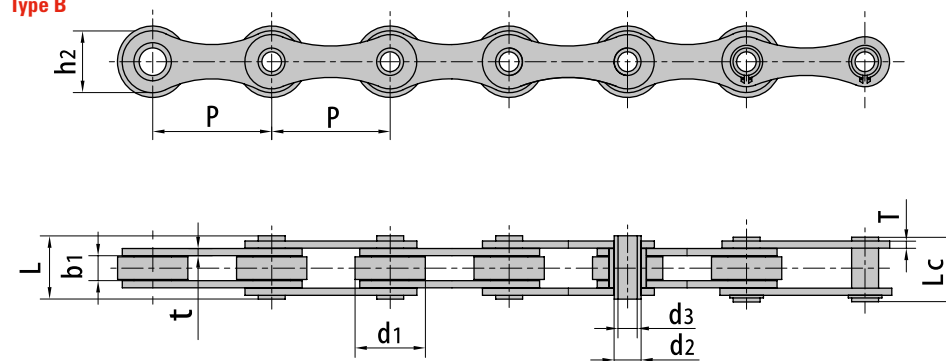
HOLLOW PIN CONVEYOR CHAINS

REFERENCE	PITCH	ROLLER DIAMETER	WIDTH BETWEEN INNER PLATES	PIN DIAMETER		PIN LENGTH		INNER PLATE DEPTH	PLATE THICKNESS	TENSILE STRENGTH	AVERAGE TENSILE STRENGTH	WEIGHT PER METER	TYPE
				d2 max mm	d3 min mm	L max mm	Lc max mm						
TL-HP41.75F3	41,750	17,00	20,50	11,00	8,30	36,00	39,50	21,40	3,00	27,00/6136	28,00	1,62	A
TL-HP41.75F6	41,750	17,10	20,20	11,11	8,20	36,70	37,50	25,26	3,10	49,00/11015	53,90	2,04	A
TL-HP50F2	50,000	31,00	15,00	13,20	10,20	36,50	38,00	25,00	4,00	40,00/9091	43,20	3,40	B
TL-DH16500HP	50,000	30,00	10,50	11,40	8,20	27,40	28,60	26,00	3,10	50,00/11240	53,60	2,23	B
TL-HB50F4	50,000	30,00	10,00	11,60	8,00	26,60	30,00	25,40	3,00	60,00/13635	67,20	2,03	B
TL-HB50F1-C30	50,000	30,00	10,00	12,00	8,20	26,50	28,10	26,00	3,00	45,00/11016	49,50	2,36	B
TL-HB50.8	50,800	30,00	10,50	11,40	8,20	27,40	28,60	26,00	3,10	50,00/11240	53,60	2,56	B
TL-HB50.8F4	50,800	30,00	10,50	13,60	8,20	27,40	28,90	26,00	3,10	42,00/9545	48,20	2,28	B
TL-HB50.8F14	50,800	30,00	10,00	11,60	8,00	26,60	30,00	25,40	3,00	60,00/13635	67,20	2,01	B
TL-HB60F6	60,000	30,00	10,00	11,60	8,00	26,60	30,00	26,00	3,00	46,00/10341	50,60	2,06	B
TL-HB60F7	60,000	30,00	10,00	11,60	8,00	26,60	30,00	25,40	3,00	60,00/13635	66,00	1,82	B
TL-HB63	63,000	30,00	10,00	11,40	8,10	26,70	28,10	26,50	3,10	50,00/11240	53,60	2,07	B
TL-HB63F1	63,000	40,00	10,00	11,40	8,10	26,70	28,10	26,50	3,10	50,00/11240	53,60	2,27	B
TL-HB63F2	63,000	40,00	20,00	11,40	8,10	36,70	38,10	26,50	3,10	50,00/11240	53,60	3,20	B
TL-HB63F3	63,000	40,00	15,00	11,40	8,20	35,60	37,00	26,50	4,00	35,00/7955	38,50	3,90	B
TL-HB63F4	63,000	30,00	20,00	11,40	8,10	36,70	38,10	26,50	3,10	50,00/11240	53,60	2,97	B
TL-HB63F6	63,000	30,00	10,00	11,70	8,20	26,70	28,10	26,50	3,10	50,00/11240	56,70	2,08	B
TL-HB63F7	63,000	40,00	18,00	14,00	10,20	38,00	39,50	28,00	4,00	50,00/11240	56,70	4,26	B
TL-HB63F8	63,000	30,00	20,00	11,70	8,10	36,50	38,00	26,50	3,10	50,00/11240	56,70	2,91	B
TL-HB63F14	63,000	30,00	10,00	11,40	8,10	30,20	31,60	26,50	4,00	50,00/11240	55,00	2,45	B
TL-HB63.5F3	63,500	31,00	15,00	14,00	8,20	31,00	33,00	28,00	3,00	34,00/7647	38,00	2,75	B
TL-HB80F3	80,000	45,00	20,00	24,00	18,00	39,00	40,60	40,00	3,50	75,00/16858	82,50	4,60	B
TL-HB100	100,000	30,00	10,50	11,40	8,20	27,40	28,60	26,00	3,10	50,00/11240	53,60	1,56	B
TL-HB100F8	100,000	30,00	10,00	11,60	8,00	26,60	30,00	25,40	3,00	60,00/13635	67,20	1,37	B
TL-HB100F16	100,000	35,00	16,00	13,00	8,20	38,60	40,00	30,00	4,00	86,24/19337	95,00	3,26	B

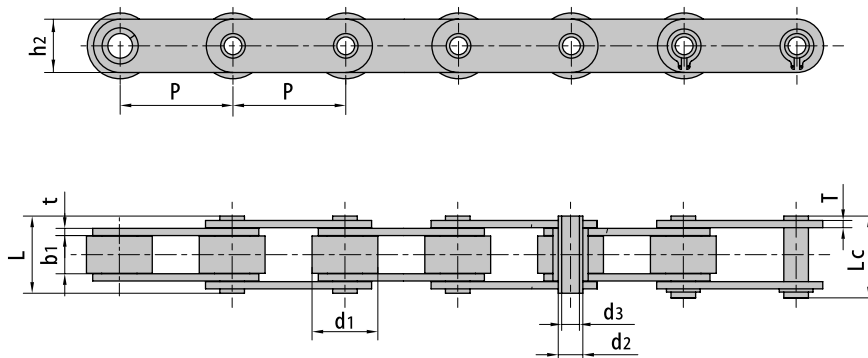
Type A



Type B

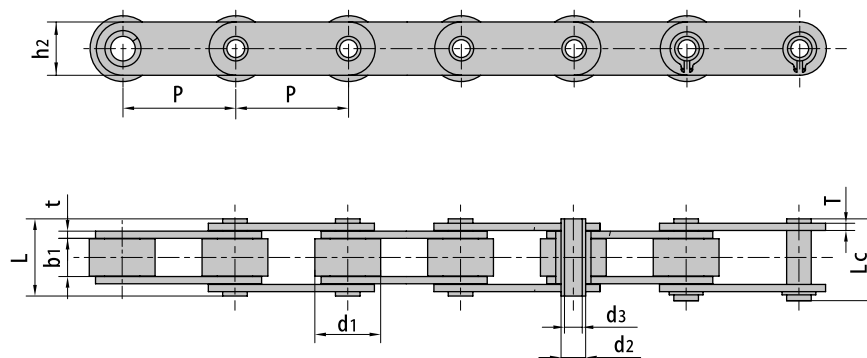


REFERENCE	PITCH	ROLLER DIAMETER	WIDTH BETWEEN INNER PLATES	PIN DIAMETER		PIN LENGTH		INNER PLATE DEPTH	PLATE THICKNESS	TENSILE STRENGTH	AVERAGE TENSILE STRENGTH	WEIGHT PER METER
				d2 max mm	d3 min mm	L max mm	Lc max mm					
TL-C12AHB	19,05	11,91	12,70	7,00	5,01	25,50	26,6	18,00	2,42	20,0/4545	22,40	1,58
TL-C12BHP	19,05	12,07	11,68	6,50	4,00	21,60	22,8	15,90	1,85	20,0/4545	22,40	1,22
TL-C2042HP	25,40	15,88	7,85	5,63	4,00	16,50	17,6	12,00	1,50	11,0/2500	12,60	0,78
TL-C2042H-HP	25,40	15,88	7,85	5,63	4,00	18,80	19,9	12,00	2,03	11,0/2500	13,20	0,95
TL-C2052HP	31,75	19,05	9,53	7,22	5,12	20,50	21,8	15,00	2,03	20,4/4636	22,80	1,25
TL-C2052HPF1	31,75	19,05	9,40	7,03	5,12	20,00	21,5	15,30	1,85	15,0/3409	17,30	1,21
TL-C2052HPF3	31,75	19,05	9,53	7,02	5,13	20,10	21,6	15,09	2,03	19,6/4455	21,60	1,20
TL-C2052H-HP	31,75	19,05	9,53	7,22	5,12	22,10	23,4	15,00	2,42	20,4/4545	23,50	1,44
TL-C2062HP	38,10	22,23	12,70	8,31	6,00	25,80	26,8	17,00	2,42	24,0/5455	27,10	1,72
TL-C2062H-HP	38,10	22,23	12,70	8,31	6,00	29,20	30,2	17,00	3,25	24,0/5455	27,60	1,99
TL-C2062H-HPF3	38,10	22,23	12,70	8,31	6,00	25,80	26,8	17,00	2,42	24,0/5455	27,10	1,72
TL-C2082HP	50,80	28,58	15,75	11,40	8,05	32,40	33,8	24,00	3,25	50,0/11364	52,00	2,82
TL-C2082H-HP	50,80	28,58	15,75	11,40	8,05	35,70	37,0	24,00	4,00	50,0/11364	56,50	3,34
TL-C1655HP	50,80	30,00	10,50	13,00	8,20	27,40	28,9	26,00	3,10	42,0/9545	48,20	2,72
TL-63HPF1	63,00	40,00	15,00	16,00	12,10	35,00	36,2	28,50	4,00	50,0/11364	56,70	4,20
TL-C2102HP	63,50	39,67	18,90	13,60	9,50	40,30	42,0	30,00	4,00	60,0/13636	72,00	5,13
TL-DH4202HP	50,80	31,80	15,00	14,00	10,10	36,30	39,0	26,00	3,80	42,0/9545	51,60	3,75
TL-DH4203HP	76,20	31,80	15,00	14,00	10,10	36,30	39,0	26,00	3,80	42,0/9545	47,10	3,01
TL-DH8403HP	76,20	47,60	19,00	19,05	13,60	43,80	46,3	39,00	5,10/3,80	84,3/19159	130,30	6,81
TL-DH42035HP	88,90	31,80	15,00	14,00	10,10	36,30	39,0	26,00	3,80	42,0/9545	51,10	2,79
TL-DH4204HP	101,60	31,80	15,00	14,00	10,10	36,30	39,0	26,00	3,80	42,0/9545	51,60	2,63
TL-DH8404HP	101,60	47,60	19,00	19,05	13,60	43,80	46,3	39,00	5,10/3,80	84,3/19159	130,30	5,78
TL-DH8406HP	152,40	47,60	19,00	19,05	13,60	43,80	46,3	39,00	5,10/3,80	84,0/19091	130,30	5,18
TL-HB25.4F2	25,40	15,89	17,26	9,00	6,35	31,30	32,5	20,00	2,50	20,0/4545	22,40	1,97
TL-HB25.4F4	25,40	20,00	11,00	12,00	8,35	27,00	28,4	24,00	3,00	32,0/7273	35,80	2,48
TL-HB38.1F2	38,10	25,40	12,70	9,50	6,60	26,60	28,0	19,10	2,30	20,0/4545	22,40	2,07
TL-HB38.1F6-R	38,10	25,40	15,20	14,00	10,20	34,50	36,5	27,00	3,70	45,0/10228	49,50	3,20
TL-HB40F1	40,00	22,00	9,00	9,00	6,00	23,00	24,5	18,00	2,50	20,0/4546	22,00	1,58
TL-HB41.4	41,40	25,40	15,00	13,80	10,50	35,50	37,0	32,00	4,00	45,0/10227	48,00	4,20



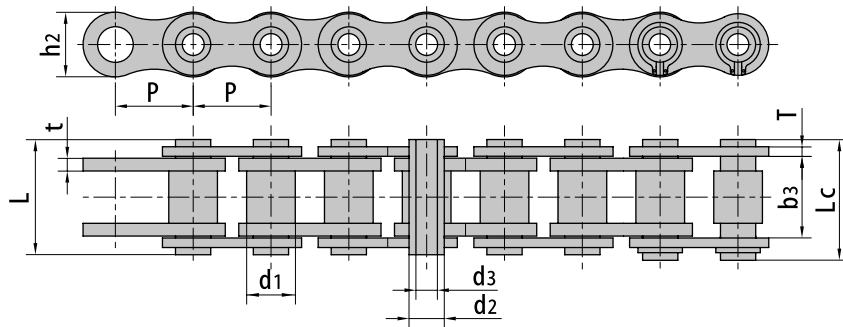
HOLLOW PIN CONVEYOR CHAINS

REFERENCE	PITCH	ROLLER DIAMETER	WIDTH BETWEEN INNER PLATES	PIN DIAMETER		PIN LENGTH		INNER PLATE DEPTH	PLATE THICKNESS	TENSILE STRENGTH	AVERAGE TENSILE STRENGTH	WEIGHT PER METER
	P mm	d1 max mm	b1 min mm	d2 max mm	d3 min mm	L max mm	Lc max mm	h2 max mm	t/T max mm	Q min kN/lbf	Qo kN	q Kg/m
TL-HB50	50,00	31,00	15,00	14,00	10,20	36,00	37,5	25,0	4,00	40,0/9091	43,20	3,98
TL-HB50F9	50,00	18,00	11,50	8,20	6,00	27,40	28,4	25,0	3,00	15,0/3409	17,30	2,00
TL-HB50F12	50,00	25,00	11,60	9,00	6,20	26,00	27,4	20,0	2,50	20,0/4545	22,40	1,77
TL-HB50.42	50,42	37,30	15,00	14,00	10,20	36,00	37,5	26,2	4,00	40,0/9090	44,80	4,46
TL-HB50.8F3	50,80	30,00	16,00	14,00	9,00	36,40	37,5	25,5	3,10	42,0/9545	47,00	3,20
TL-HB50.8F8	50,80	32,00	20,00	19,10	12,40	44,60	46,4	40,0	5,00/4,00	100,0/22727	108,00	6,75
TL-HB50.8F9	50,80	35,00	12,00	15,50	10,20	36,00	37,3	30,0	5,00	70,0/15909	77,00	4,92
TL-HB50.8F11	50,80	38,10	16,00	13,80	9,70	37,20	39,5	25,4	3,90	57,0/12814	62,70	5,01
TL-HB50.8F12	50,80	28,58	16,00	14,00	9,00	36,40	37,5	25,5	3,50	42,0/9545	47,00	3,26
TL-HB50.8F18	50,80	38,10	16,00	13,80	9,70	37,20	39,5	25,4	4,80/3,90	57,0/12814	62,70	4,85
TL-HB50.8F20	50,80	38,10	15,20	14,28	9,50	36,60	37,2	26,4	4,00	40,0/8992	44,00	4,88
TL-HB50.8F26	50,80	30,00	16,00	14,00	9,00	38,40	39,5	27,0	4,00	60,0/13635	67,20	3,98
TL-HB55F2	55,00	20,00	14,00	9,00	6,00	29,00	31,0	20,0	2,50	18,0/4180	19,20	1,54
TL-HB57	57,00	30,00	10,00	13,00	10,20	26,40	27,5	26,0	3,00	28,0/6298	30,00	1,84
TL-HB63F11	63,00	40,00	20,00	20,00	18,00	42,50	43,5	42,0	4,00	46,0/10454	50,60	5,83
TL-HB63F12	63,00	30,00	10,00	11,40	8,10	26,70	28,1	26,5	3,10	50,0/11364	56,50	2,39
TL-HB63.5F1	63,50	32,00	15,00	16,00	12,20	32,00	33,0	25,0	3,00	20,4/4636	22,80	2,69
TL-HB65	65,00	45,00	20,00	25,00	18,00	38,00	40,0	40,0	3,00	46,0/10454	50,60	4,49
TL-HB65F1	65,00	40,00	20,00	14,00	10,05	40,40	42,0	35,0	4,00	50,0/11364	55,00	5,93
TL-HB75	75,00	40,00	22,00	18,00	12,20	42,00	44,0	35,0	4,00	60,0/13636	72,00	5,57
TL-HB76.2	76,20	31,75	15,50	12,70	9,50	35,50	37,0	26,0	4,00	42,0/9545	49,20	3,25
TL-HB76.2F2	76,20	47,60	20,00	24,00	18,50	44,50	46,1	40,0	5,00/4,00	79,0/17935	92,50	6,77
TL-HB76.2F6	76,20	44,45	23,00	17,48	13,49	44,20	46,5	35,0	4,00	75,0/17044	82,50	6,27
TL-HB76.2F9	76,20	47,60	17,50	22,00	16,60	46,00	47,6	38,0	6,00	56,0/12596	61,50	7,52
TL-HB80	80,00	50,00	20,00	24,00	18,50	44,50	46,1	40,0	5,00/4,00	79,0/17953	92,50	6,81
TL-HB80F4	80,00	50,00	20,00	24,00	18,50	50,50	51,8	40,0	6,00	120,0/26977	132,00	8,10
TL-HB86	86,00	45,00	15,00	19,00	14,50	40,00	41,5	35,0	5,00/4,00	85,0/19119	95,00	5,14
TL-HB100F3	100,00	30,00	24,00	15,95	10,30	46,00	47,3	35,0	4,00	75,0/17046	84,70	4,04
TL-HB100F6	100,00	60,00	31,00	27,00	19,00	59,00	60,8	50,0	6,00/5,00	150,0/34088	160,00	11,50

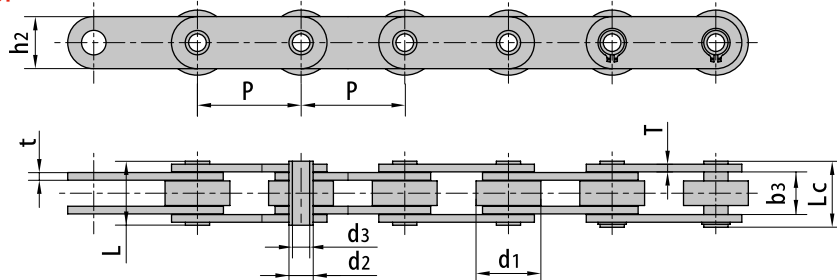


REFERENCE	PITCH	BUSH DIAMETER	WIDTH BETWEEN PLATES	PIN DIAMETER		PIN LENGTH		INNER PLATE DEPTH	PLATE THICKNESS	TENSILE STRENGTH	AVERAGE TENSILE STRENGTH	WEIGHT PER METER	TYPE
				d2 max mm	d3 max mm	L max mm	Lc max mm						
TL-08BHPPF2	12,700	8,51	13,20	6,65	5,20	18,00	19,2	11,8	1,60/1,30	10,0/2273	11,4	0,50	A
TL-08BHPPF3	12,700	8,51	13,40	6,65	4,00	19,00	20,2	11,8	1,70	14,0/3182	16,8	0,69	A
TL-HB12.7	12,700	8,51	13,40	6,65	4,10	19,00	20,2	11,8	1,70	14,0/3182	16,8	0,69	A
TL-08BHPPF8	12,700	8,51	11,30	6,30	4,50	16,70	18,5	11,8	1,60	11,0/2500	12,1	0,80	A
TL-40HPPF1-D3	12,700	8,51	11,60	6,35	4,36	20,60	20,6	12,0	1,50	11,0/2500	12,1	0,77	A
TL-41HP	12,700	7,77	9,20	5,63	4,19	13,75	16,0	9,91	1,30	4,0/899	4,4	0,35	A
TL-10BHPPF1	15,875	10,16	13,41	7,03	5,00	19,20	20,2	14,0	1,85	17,0/3864	20,6	0,83	A
TL-10BHPPF2	15,875	10,16	10,40	7,03	5,00	17,00	18,0	14,0	1,85	15,0/3409	17,3	0,74	A
TL-50HPPF1	15,875	10,16	13,60	7,03	5,13	20,70	21,9	14,4	2,03	18,0/4091	21,6	0,92	A
TL-12BHPPF1	19,050	12,07	16,00	8,03	5,40	22,70	23,9	15,8	1,85	25,0/5682	28,8	1,09	A
TL-60HPPF2	19,050	11,91	11,23	5,63	4,05	16,50	17,6	10,4	1,50	10,0/2273	10,8	0,62	A
TL-C12BHPPF9	19,050	12,07	15,80	8,03	5,00	22,40	23,9	16,1	1,85	25,0/5682	28,8	1,26	B
TL-12BHPPF9	19,050	12,07	15,80	8,03	5,00	22,40	23,9	16,1	1,85	25,0/5682	28,8	1,18	A
TL-60HPPF3	19,050	11,91	17,20	8,40	6,10	24,70	26,0	18,0	2,03	20,0/4546	24,0	1,54	A
TL-16BHPPF1	25,400	15,88	25,58	11,50	8,10	36,50	37,6	21,0	4,15/3,10	45,0/10227	52,2	2,21	A
TL-HB38.1F7	38,100	22,20	17,50	11,00	8,30	25,00	26,6	18,0	2,50	20,0/4545	22,4	1,46	A
TL-HB38.1F9	38,100	18,00	22,60	14,00	10,00	32,50	34,5	26,5	3,00	40,0/9090	44,0	2,40	B
TL-HB38.1F10	38,100	17,95	23,50	13,60	10,44	36,00	37,3	28,4	3,70	70,0/15736	77,0	2,66	A
TL-32BHP	50,800	29,21	45,70	24,10	18,25	66,00	68,0	42,0	7,00/6,00	155,0/34864	170,0	7,40	A
TL-63HP	63,000	40,00	23,50	16,00	12,00	35,30	38,3	28,6	4,00	65,0/14773	71,5	4,14	B
TL-63HPPF2	63,000	40,00	25,80	14,00	8,08	39,10	41,1	20,0	5,00	50,0/11364	65,7	4,17	B
TL-63HPPF4	63,000	40,00	23,50	16,00	12,20	34,70	37,7	28,6	4,00	44,0/10000	57,2	4,13	B
TL-63HPPF6	63,000	40,00	28,94	16,00	10,30	41,80	43,4	28,6	4,00	44,0/10000	57,2	5,18	B
TL-63HPPF11	63,000	40,00	23,50	16,00	12,20	34,70	37,7	28,6	4,00	65,0/147333	71,5	4,25	B
TL-63HPPF12	63,000	40,00	23,50	16,00	12,20	34,70	37,7	28,0	4,00	44,0/10000	57,2	4,02	B
TL-HB63F17	63,000	40,00	23,40	18,00	12,20	37,00	38,0	25,0	4,00	40,0/9090	44,0	4,13	B
TL-C2122HPPF1	76,200	47,60	29,00	17,81	12,70	43,30	44,7	38,1	4,80	53,3/12123	59,2	7,05	B
TL-HP101.6F6	101,600	47,60	30,50	21,00	16,11	45,00	46,5	40,0	5,00/4,00	60,0/13636	72,0	6,20	B
TL-HP130	130,000	40,00	29,20	18,10	12,10	41,30	42,5	35,0	3,80	80,0/17994	88,0	3,90	B
TL-HP150F1	150,000	60,00	43,50	24,00	18,20	59,00	61,0	45,0	5,00	140,0/31490	154,0	8,52	B

Type A



Type B

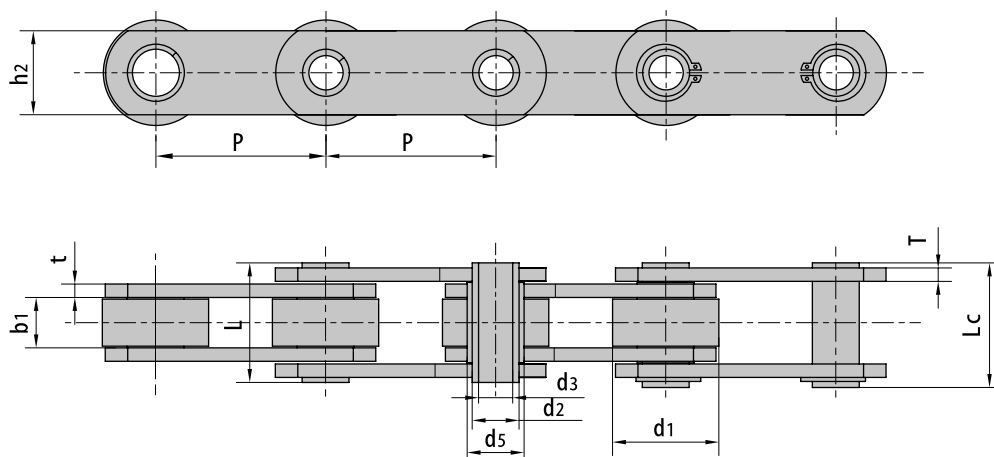


HOLLOW PIN CONVEYOR CHAINS. ZC SERIES

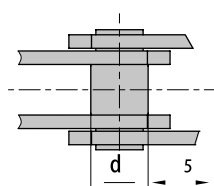
REFERENCE	PITCH						ROLLER DIMENSION			BUSH DIAMETER	PLATE DEPTH	
	P mm						d1 max mm	d4 max mm	G mm	d5 max mm	h2 max mm	
TL-ZC21	38,1	50,8	63,5	76,2			25,40			11,0	18,0	
TL-ZC40	50,8	63,5	76,2	88,9	101,6	127,0	152,4	31,75	40,0	2,5	17,0	25,0
TL-ZC60	76,2	88,9	101,6	127,0	152,4	177,8	203,2	47,50	60,0	3,5	23,0	40,0
TL-ZC150	101,6	127,0	152,4	177,8	203,2	228,6	254,0	66,70	82,0	4,0	33,0	50,0
TL-ZC300	152,4	177,8	203,2	254,0	304,8			88,90	114,0	8,5	38,0	60,0

REFERENCE	WIDTH BETWEEN INNER PLATES	PIN DIAMETER		PIN LENGTH		PLATE THICKNESS	TENSILE STRENGTH	
	b1 min mm	d2 max mm	d3 min mm	L max mm	Lc max mm	t/T max mm	Q min kN/lbf	*Q min kN/lbf
TL-ZC21	12,7	9,0	6,5	26,0	27,5	2,5	21,0/4772	27,1/6159
TL-ZC40	15,0	14,0	10,2	36,4	37,7	4,0	40,0/9091	50,0/11362
TL-ZC60	19,0	19,0	13,2	45,0	46,5	5,0/4,0	60,0/13636	120,0/27270
TL-ZC150	26,0	26,9	20,2	58,0	60,5	7,0/5,0	150,0/34087	190,0/43177
TL-ZC300	38,0	32,0	22,5	83,0	85,0	10,0/8,0	300,0/68175	380,0/86362

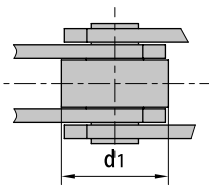
*Q stands for the tensile strength after hardening.



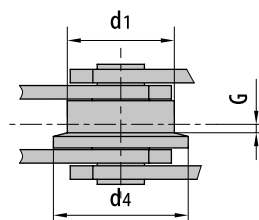
without rollers



with P large rollers type



with F flanged rollers type



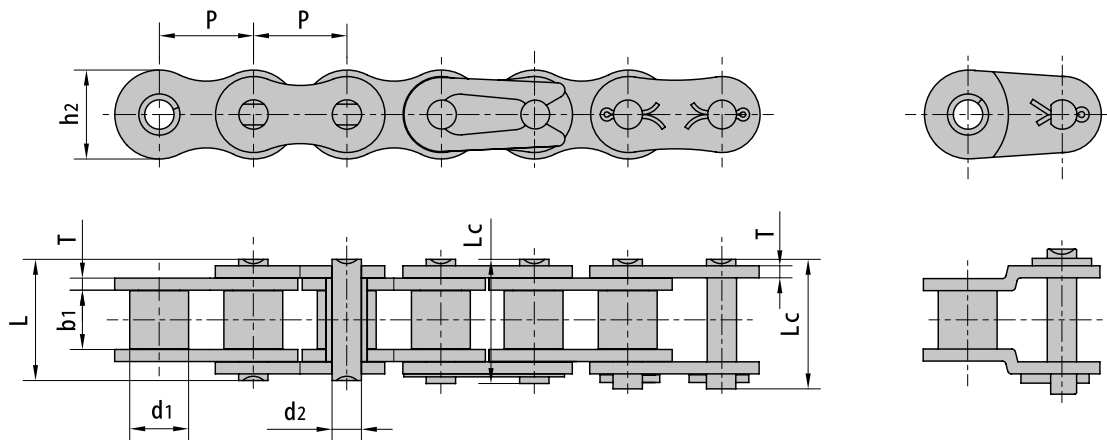
STAINLESS STEEL CHAINS

ANSI & ISO/DIN STAINLESS STEEL SHORT PITCH ROLLER CHAIN. SIMPLEX

REFERENCE	PITCH	ROLLER DIAMETER	WIDTH BETWEEN INNER PLATES	PIN DIAMETER	PIN LENGTH		INNER PLATE DEPTH	PLATE THICKNESS	BREAKING LOAD	WEIGHT PER METER
	P mm	d1 max mm	b1 min mm	d2 max mm	L max mm	Lc max mm	h2 max mm	t/T max mm	Q kN/lbf	q Kg/m
TL-*04CSS-1	6,350	3,30	3,18	2,31	7,90	8,40	6,00	0,80	2,5/568	0,15
TL-*06CSS-1	9,525	5,08	4,77	3,58	12,40	13,17	9,00	1,30	5,5/1250	0,33
TL-08ASS-1	12,700	7,95	7,85	3,96	16,60	17,80	12,00	1,50	9,6/2182	0,63
TL-41SS-1	12,700	7,77	6,25	3,58	13,75	15,00	9,91	1,30	6,0/1360	0,46
TL-10ASS-1	15,875	10,16	9,40	5,08	20,70	22,20	15,09	2,03	15,2/3455	1,03
TL-12ASS-1	19,050	11,91	12,57	5,94	25,90	27,70	18,00	2,42	21,7/4932	1,51
TL-16ASS-1	25,400	15,88	15,75	7,92	32,70	35,00	24,00	3,25	38,9/8841	2,62
TL-20ASS-1	31,750	19,05	18,90	9,53	40,40	44,70	30,00	4,00	60,0/13636	3,94
TL-24ASS-1	38,100	22,23	25,22	11,10	50,30	54,30	35,70	4,80	75,0/16861	5,72
TL-28ASS-1	44,450	25,40	25,22	12,70	54,40	59,00	41,00	5,60	102,0/22931	7,70
TL-32ASS-1	50,800	28,58	31,55	14,27	64,80	69,60	47,80	6,40	133,8/30079	10,20
TL-04BSS-1	6,000	4,00	2,80	1,85	6,80	7,80	5,00	0,60	2,0/455	0,11
TL-05BSS-1	8,000	5,00	3,00	2,31	8,20	8,90	7,10	0,80	3,5/795	0,20
TL-#06BSS-1	9,525	6,35	5,72	3,28	13,15	14,10	8,20	1,30	6,2/1409	0,41
TL-08BSS-1	12,700	8,51	7,75	4,45	16,70	18,20	11,80	1,60	12,0/2727	0,70
TL-10BSS-1	15,875	10,16	9,65	5,08	19,50	20,90	14,70	1,70	14,5/3295	0,94
TL-12BSS-1	19,050	12,07	11,68	5,72	22,50	24,20	16,00	1,85	18,5/4205	1,16
TL-16BSS-1	25,400	15,88	17,02	8,28	36,10	37,40	21,00	4,15/3,10	40,0/9091	2,73
TL-20BSS-1	31,750	19,05	19,56	10,19	41,30	45,00	26,40	4,50/3,50	59,0/13409	3,73
TL-24BSS-1	38,100	25,40	25,40	14,63	53,40	57,80	33,20	6,00/4,80	104,0/25454	7,20
TL-28BSS-1	44,450	27,94	30,99	15,90	65,10	69,50	36,70	7,50/6,00	120,0/26977	9,21
TL-32BSS-1	50,800	29,21	30,99	17,81	66,00	71,00	42,00	7,00/6,00	150,0/34090	10,22

* Bush chain: d1 indicates the outer diameter of the chain.

Straight side plates.

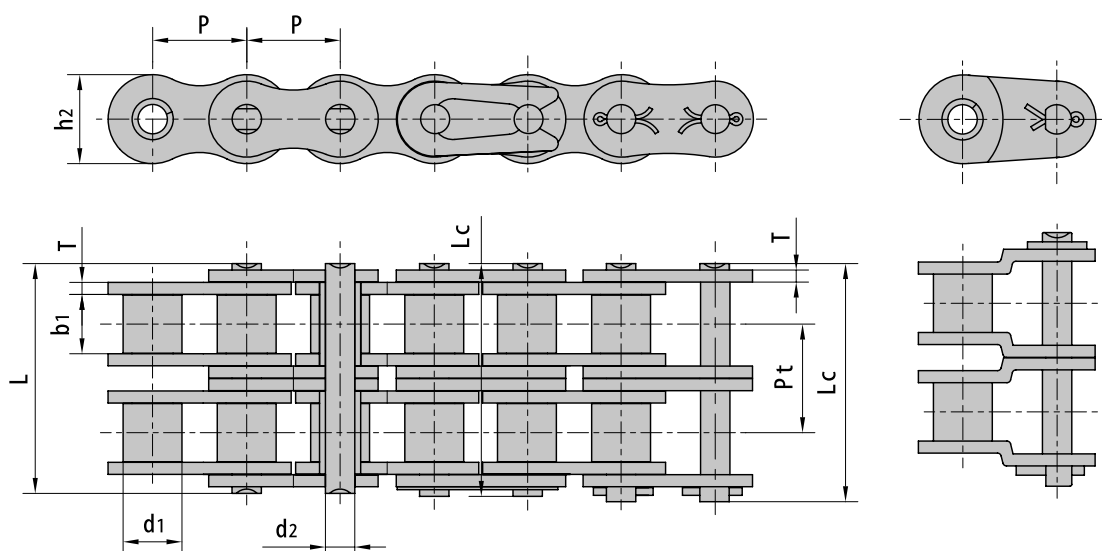


ANSI & ISO/DIN STAINLESS STEEL SHORT PITCH ROLLER CHAIN. DUPLEX

REFERENCE	PITCH	ROLLER DIAMETER	WIDTH BETWEEN PLATES	PIN DIAMETER	PIN LENGTH		INNER PLATE DEPTH	PLATE THICKNESS	TRANSVERSE PITCH	BREAKING LOAD	WEIGHT PER METER
					L max mm	Lc max mm					
TL-*04CSS-2	6,350	3,30	3,18	2,31	14,50	15,00	6,00	0,80	6,40	5,0/1124	0,28
TL-*06CSS-2	9,525	5,08	4,77	3,58	22,50	23,30	9,00	1,30	10,13	11,0/2473	0,70
TL-08ASS-2	12,700	7,95	7,85	3,96	31,00	32,20	12,00	1,50	14,38	19,2/4316	1,30
TL-41SS-2	12,700	7,77	6,25	3,53	25,70	26,90	9,91	1,30	11,95	12,0/2698	0,91
TL-10ASS-2	15,875	10,16	9,40	5,08	38,90	40,40	15,09	2,03	18,11	30,4/6834	2,18
TL-12ASS-2	19,050	11,91	12,57	5,94	48,80	50,50	18,00	2,42	22,78	43,4/9757	2,92
TL-16ASS-2	25,400	15,88	15,75	7,92	62,70	64,30	24,00	3,25	29,29	77,8/17490	5,15
TL-20ASS-2	31,750	19,05	18,90	9,53	76,40	80,50	30,00	4,00	35,76	120,0/26977	7,80
TL-24ASS-2	38,100	22,23	25,22	11,10	95,80	99,70	35,70	4,80	45,44	150,0/33720	11,70
TL-28ASS-2	44,450	25,40	25,22	12,70	103,30	107,90	41,00	5,60	48,87	204,0/45859	15,14
TL-32ASS-2	50,800	28,58	31,55	14,27	123,30	128,10	47,80	6,40	58,55	267,6/60156	20,14
TL-04BSS-2	6,000	4,00	2,80	1,85	12,30	13,30	5,00	0,60	5,50	4,0/899	0,22
TL-05BSS-2	8,000	5,00	3,00	2,31	13,90	14,50	7,10	0,80	5,64	6,2/1394	0,37
TL-#06BSS-2	9,525	6,35	5,72	3,28	23,40	24,40	8,20	1,30	10,24	11,8/2653	0,87
TL-08BSS-2	12,700	8,51	7,75	4,45	31,00	32,20	11,80	1,60	13,92	21,0/4721	1,40
TL-10BSS-2	15,875	10,16	9,65	5,08	36,10	37,50	14,70	1,70	16,59	29,1/6542	1,96
TL-12BSS-2	19,050	12,07	11,68	5,72	42,00	43,60	16,00	1,85	19,46	37,0/8318	2,46
TL-16BSS-2	25,400	15,88	17,02	8,28	68,00	71,00	21,00	4,15/3,10	31,88	70,7/15894	5,42
TL-20BSS-2	31,750	19,05	19,56	10,19	77,80	81,50	26,40	4,50/3,50	36,45	105,6/23740	7,87
TL-24BSS-2	38,100	25,40	25,40	14,63	101,70	106,20	33,20	6,00/4,80	48,36	182,0/40915	12,43
TL-28BSS-2	44,450	27,94	30,99	15,90	124,60	129,10	36,70	7,50/6,00	59,56	216,0/48557	16,60
TL-32BSS-2	50,800	29,21	30,99	17,81	124,60	129,60	42,00	7,00/6,00	58,55	270,0/60698	20,34

* Bush chain: d1 indicates the outer diameter of the chain.

Straight side plates.

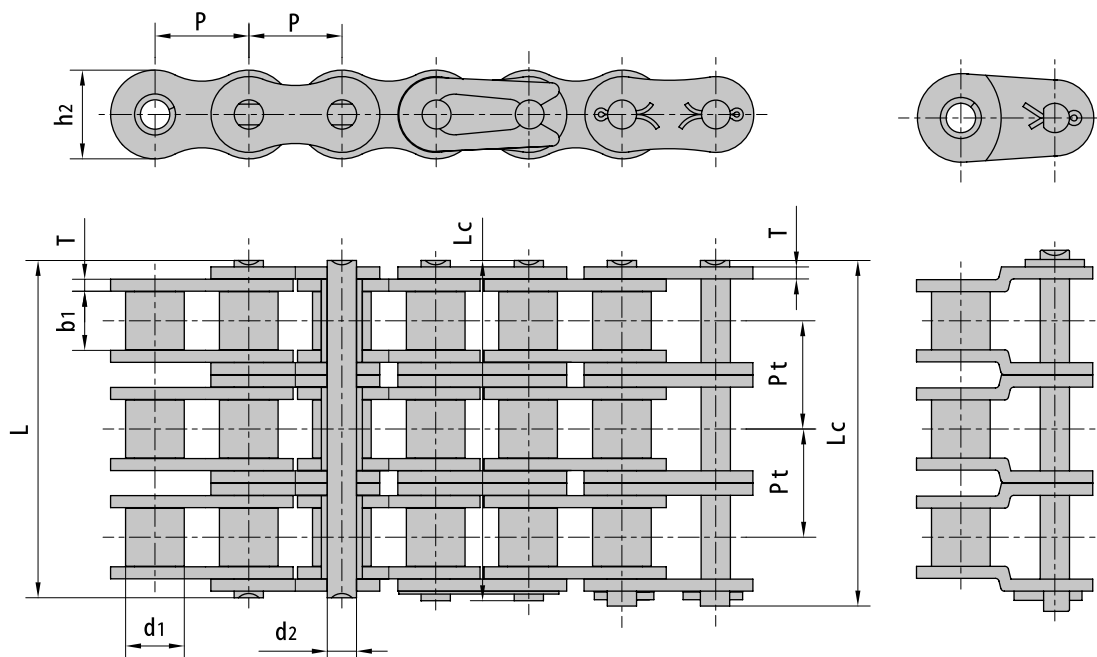


ANSI & ISO/DIN STAINLESS STEEL SHORT PITCH ROLLER CHAIN. TRIPLEX

REFERENCE	PITCH	ROLLER DIAMETER	WIDTH BETWEEN INNER PLATES	PIN DIAMETER	PIN LENGTH		INNER PLATE DEPTH	PLATE THICKNESS	TRANSVERSE PITCH	BREAKING LOAD	WEIGHT PER METER
	P mm	d1 max mm	b1 min mm	d2 max mm	L max mm	Lc max mm	h2 max mm	t/T max mm	Pt mm	Q kN/lbf	q Kg/m
TL-*04CSS-3	6,350	3,30	3,18	2,31	21,00	21,50	6,00	0,80	6,40	7,5/1686	0,44
TL-*06CSS-3	9,525	5,08	4,77	3,58	32,70	33,50	9,00	1,30	10,13	16,5/3709	1,04
TL-08ASS-3	12,700	7,95	7,85	3,96	45,40	46,60	12,00	1,50	14,38	28,8/6474	1,97
TL-10ASS-3	15,875	10,16	9,40	5,08	57,00	58,50	15,09	2,03	18,11	45,6/1025	3,24
TL-12ASS-3	19,050	11,91	12,57	5,94	71,50	73,30	18,00	2,42	22,78	65,1/14635	4,54
TL-16ASS-3	25,400	15,88	15,75	7,92	91,70	95,10	24,00	3,25	29,29	116,7/26235	7,89
TL-20ASS-3	31,750	19,05	18,90	9,53	112,20	116,30	30,00	4,00	35,76	180,0/40466	11,76
TL-24ASS-3	38,100	22,23	25,22	11,10	141,40	145,20	35,70	4,80	45,44	225,0/50580	17,53
TL-28ASS-3	44,450	25,40	25,22	12,70	152,20	156,80	41,00	5,60	48,87	306,0/68789	22,20
TL-32ASS-3	50,800	28,58	31,55	14,27	181,80	186,60	47,80	6,40	58,55	401,4/90238	30,02
TL-05BSS-3	8,000	5,00	3,00	2,31	19,50	20,20	7,10	0,80	5,64	8,8/1978	0,57
TL-#06BSS-3	9,525	6,35	5,72	3,28	33,50	34,60	8,20	1,30	10,24	17,3/3889	1,09
TL-08BSS-3	12,700	8,51	7,75	4,45	45,10	46,10	11,80	1,60	13,92	30,0/6744	2,08
TL-10BSS-3	15,875	10,16	9,65	5,08	52,70	54,10	14,70	1,70	16,59	43,6/9802	2,92
TL-12BSS-3	19,050	12,07	11,68	5,72	61,50	63,10	16,00	1,85	19,46	55,5/12477	3,71
TL-16BSS-3	25,400	15,88	17,02	8,28	99,80	102,90	21,00	4,15/3,10	31,88	106,7/23830	8,13
TL-20BSS-3	31,750	19,05	19,56	10,19	114,20	117,90	26,40	4,50/3,50	36,45	155,3/34913	11,80
TL-24BSS-3	38,100	25,40	25,40	14,63	150,10	154,60	33,20	6,00/4,80	48,36	276,3/62115	20,10
TL-28BSS-3	44,450	27,94	30,99	15,90	184,20	188,70	36,70	7,50/6,00	59,56	318,0/71486	26,90
TL-32BSS-3	50,800	29,21	30,99	17,81	183,20	188,20	42,00	7,00/6,00	58,55	402,0/90370	31,56

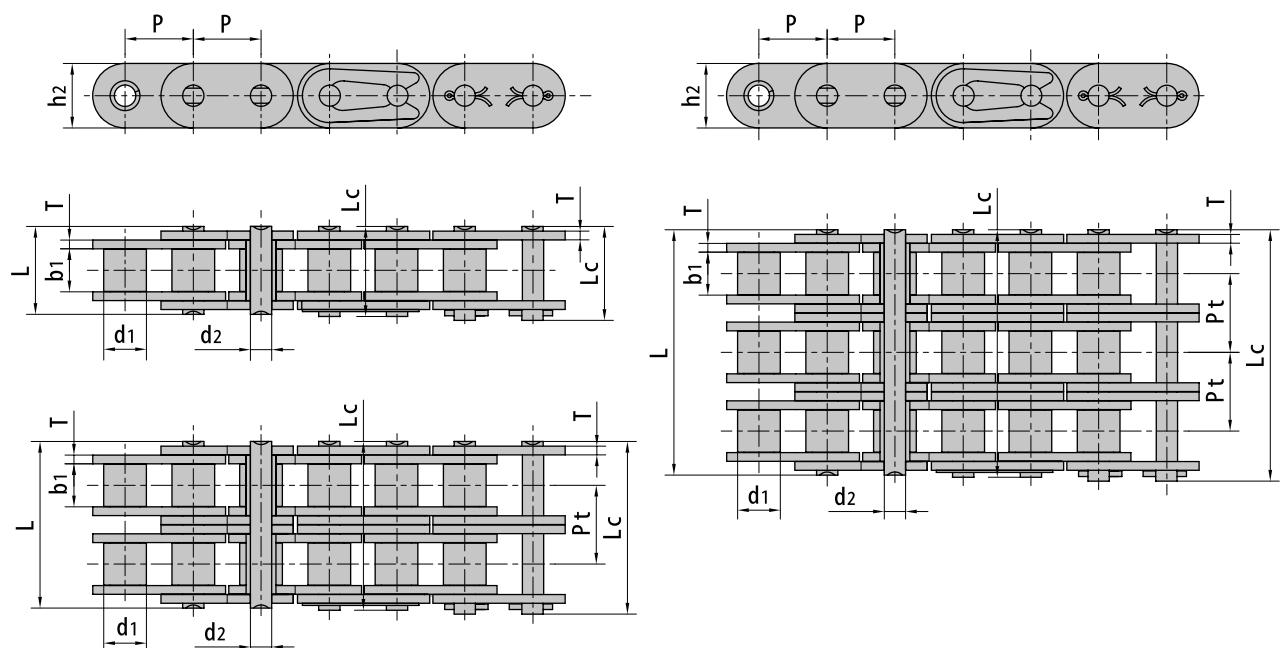
* Bush chain: d1 indicates the outer diameter of the chain.

Straight side plates.



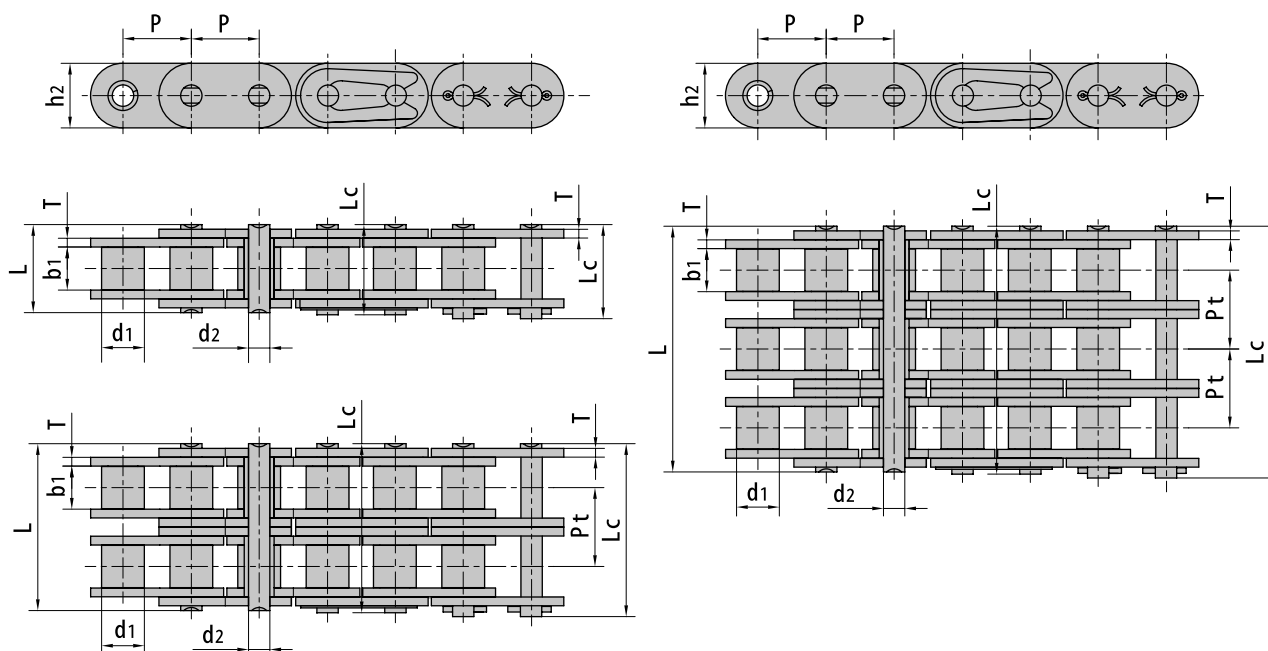
STAINLESS STEEL SHORT PITCH ROLLER CHAIN WITH STRAIGHT SIDE PLATE

REFERENCE	PITCH	ROLLER DIAMETER	WIDTH BETWEEN INNER PLATES	PIN DIAMETER	PIN LENGTH		INNER PLATE DEPTH	PLATE THICKNESS	TRANSVERSE PITCH	BREAKING LOAD	WEIGHT PER METER
Chain No.	P mm	d1 max mm	b1 min mm	d2 max mm	L max mm	Lc max mm	h2 max mm	t/T max mm	Pt mm	Q kN/lbf	q Kg/m
TL-C08ASS-1	12,700	7,95	7,85	3,96	16,60	17,80	12,00	1,50	-	9,6/2158	0,75
TL-C10ASS-1	15,875	10,16	9,40	5,08	20,70	22,20	15,09	2,03	-	15,2/3417	1,21
TL-C12ASS-1	19,050	11,91	12,57	5,94	25,90	27,70	18,00	2,42	-	21,7/4878	1,79
TL-C16ASS-1	25,400	15,88	15,75	7,92	32,70	36,50	24,00	3,25	-	38,9/8745	3,09
TL-C20ASS-1	31,750	19,05	18,90	9,53	40,40	44,70	30,00	4,00	-	60,0/13489	4,55
TL-C24ASS-1	38,100	22,23	25,22	11,10	50,30	54,30	35,70	4,80	-	75,0/16861	6,86
TL-C28ASS-1	44,450	25,40	25,22	12,70	54,40	59,00	41,00	5,60	-	102,0/22931	8,49
TL-C32ASS-1	50,800	28,58	31,55	14,27	64,80	69,60	47,80	6,40	-	133,8/30079	11,50
TL-C08ASS-2	12,700	7,95	7,85	3,96	31,00	32,20	12,00	1,50	14,38	19,2/4316	1,50
TL-C10ASS-2	15,875	10,16	9,40	5,08	38,90	40,40	15,09	2,03	18,11	30,4/6834	2,40
TL-C12ASS-2	19,050	11,91	12,57	5,94	48,80	50,50	18,00	2,42	22,78	43,4/9757	3,62
TL-C16ASS-2	25,400	15,88	15,75	7,92	62,70	65,80	24,00	3,25	29,29	77,8/17490	6,12
TL-C20ASS-2	31,750	19,05	18,90	9,53	76,40	80,50	30,00	4,00	35,76	120,0/26977	9,10
TL-C24ASS-2	38,100	22,23	25,22	11,10	95,80	99,70	35,70	4,80	45,44	150,0/33721	13,60
TL-C28ASS-2	44,450	25,40	25,22	12,70	103,30	107,90	41,00	5,60	48,87	204,0/45861	16,86
TL-C32ASS-2	50,800	28,58	31,55	14,27	123,30	128,10	47,80	6,40	58,55	267,6/60159	22,90
TL-C08ASS-3	12,700	7,95	7,85	3,96	45,40	46,60	12,00	1,50	14,38	28,8/6474	2,30
TL-C10ASS-3	15,875	10,16	9,40	5,08	57,00	58,50	15,09	2,03	18,11	45,6/10251	3,30
TL-C12ASS-3	19,050	11,91	12,57	5,94	71,50	73,30	18,00	2,42	22,78	65,1/14635	5,40
TL-C16ASS-3	25,400	15,88	15,75	7,92	91,70	95,10	24,00	3,25	29,29	116,7/26235	9,10
TL-C20ASS-3	31,750	19,05	18,90	9,53	112,20	116,30	30,00	4,00	35,76	180,0/40466	13,56
TL-C24ASS-3	38,100	22,23	25,22	11,10	141,40	145,20	35,70	4,80	45,44	225,0/50580	20,43
TL-C28ASS-3	44,450	25,40	25,22	12,70	152,20	156,80	41,00	5,60	48,87	306,0/68789	25,23
TL-C32ASS-3	50,800	28,58	31,55	14,27	181,80	186,60	47,80	6,40	58,55	401,4/90238	34,12



STAINLESS STEEL SHORT PITCH ROLLER CHAIN WITH STRAIGHT SIDE PLATES. SIMPLEX, DUPLEX, TRIPLEX

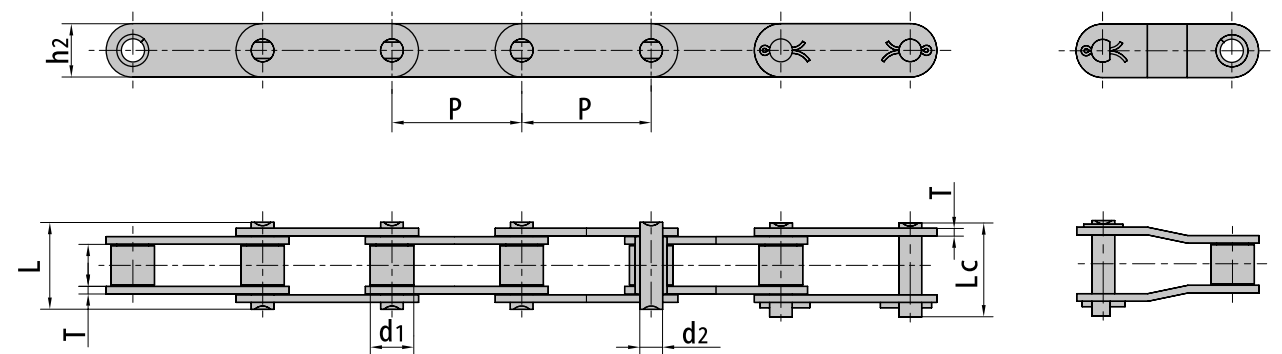
REFERENCE	PITCH	ROLLER DIAMETER	WIDTH BETWEEN INNER PLATES	PIN DIAMETER	PIN LENGTH		INNER PLATE DEPTH	PLATE THICKNESS	TRANSVERSE PITCH	BREAKING LOAD	WEIGHT PER METER
	P mm	d1 max mm	b1 min mm	d2 max mm	L max mm	Lc max mm	h2 max mm	t/T max mm	Pt mm	Q kN/lbf	q Kg/m
TL-C08BSS-1	12,700	8,51	7,75	4,45	16,70	18,20	11,80	1,60		12,0/2698	0,80
TL-C10BSS-1	15,875	10,16	9,65	5,08	19,50	20,90	14,70	1,70		14,5/3260	1,07
TL-C12BSS-1	19,050	12,07	11,68	5,72	22,50	24,20	16,00	1,85		18,5/4159	1,32
TL-C16BSS-1	25,400	15,88	17,02	8,28	36,10	39,10	21,00	4,15/3,10		40,0/8992	2,92
TL-C20BSS-1	31,750	19,05	19,56	10,19	41,30	45,00	26,40	4,50/3,50		59,0/13264	4,41
TL-C24BSS-1	38,100	25,40	25,40	14,63	53,40	57,80	33,20	6,00/4,80		104,0/23380	7,47
TL-C28BSS-1	44,450	27,94	30,99	15,90	65,10	69,50	36,70	7,50/6,00		120,0/26976	9,90
TL-C32BSS-1	50,800	29,21	30,99	17,81	66,00	71,00	42,00	7,00/6,00		150,0/33720	10,45
TL-C08BSS-2	12,700	8,51	7,75	4,45	31,00	32,20	11,80	1,60	13,92	21,0/4721	1,58
TL-C10BSS-2	15,875	10,16	9,65	5,08	36,10	37,50	14,70	1,70	16,59	29,1/16542	2,49
TL-C12BSS-2	19,050	12,07	11,68	5,72	42,00	43,60	16,00	1,85	19,46	37,0/8318	2,62
TL-C16BSS-2	25,400	15,88	17,02	8,28	68,00	71,00	21,00	4,15/3,10	31,88	70,7/15894	5,76
TL-C20BSS-2	31,750	19,05	19,56	10,19	77,80	81,50	26,40	4,50/3,50	36,45	105,6/23740	8,72
TL-C24BSS-2	38,100	25,40	25,40	14,63	101,70	106,20	33,20	6,00/4,80	48,36	182,0/40915	14,98
TL-C28BSS-2	44,450	27,94	30,99	15,90	124,60	129,10	36,70	7,50/6,00	59,56	216,0/48557	19,82
TL-C32BSS-2	50,800	29,21	30,99	17,81	124,60	129,60	42,00	7,00/6,00	58,55	270,0/60696	20,94
TL-C08BSS-3	12,700	8,51	7,75	4,45	45,10	46,10	11,80	1,60	13,92	30,0/6744	2,36
TL-C10BSS-3	15,875	10,16	9,65	5,08	52,70	54,10	14,70	1,70	16,59	43,6/9802	2,92
TL-C12BSS-3	19,050	12,07	11,68	5,72	61,50	63,10	16,00	1,85	19,46	55,5/12477	3,89
TL-C16BSS-3	25,400	15,88	17,02	8,28	99,80	102,90	21,00	4,15/3,10	31,88	106,7/23830	8,62
TL-C20BSS-3	31,750	19,05	19,56	10,19	114,20	117,90	26,40	4,50/3,50	36,45	155,3/34913	13,03
TL-C24BSS-3	38,100	25,40	25,40	14,63	150,10	154,60	33,20	6,00/4,80	48,36	276,3/62115	22,10
TL-C28BSS-3	44,450	27,94	30,99	15,90	184,20	188,70	36,70	7,50/6,00	59,56	318,0/71486	29,64
TL-C32BSS-3	50,800	29,21	30,99	17,81	183,20	188,20	42,00	7,00/6,00	58,55	402,0/90370	31,27



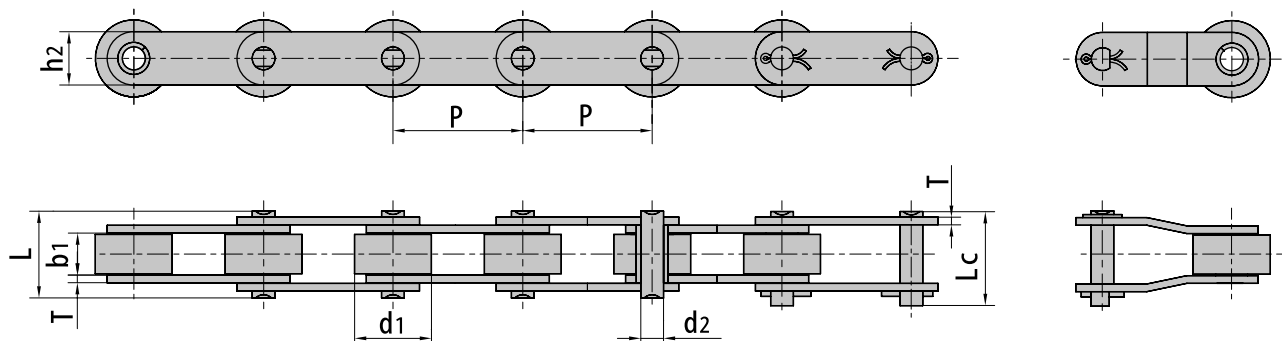
ANSI & ISO STAINLESS STEEL DOUBLE PITCH ROLLER CHAIN WITH STRAIGHT PLATES

REFERENCE	PITCH	ROLLER DIAMETER	WIDTH BETWEEN INNER PLATES	PIN DIAMETER	PIN LENGTH		INNER PLATE DEPTH	PLATE THICKNESS	BREAKING LOAD	WEIGHT PER METER
Chain No.	P mm	d1 max mm	b1 min mm	d2 max mm	L max mm	Lc max mm	h2 max mm	T max mm	Q min kN/lbf	q Kg/m
TL-C2040SS	25,40	7,95	7,85	3,96	16,6	17,8	12,0	1,50	9,6/2182	0,51
TL-C2042SS	25,40	15,88	7,85	3,96	16,6	17,8	12,0	1,50	9,6/2182	0,85
TL-C2040HSS	25,40	7,95	7,85	3,96	18,8	19,9	12,0	2,03	9,6/2182	0,66
TL-C208BSS	25,40	8,51	7,75	4,45	16,7	18,2	11,8	1,60	12,0/2727	0,56
TL-C208BLSS	25,40	15,88	7,75	4,45	16,7	18,2	11,8	1,60	12,0/2727	0,90
TL-C2050SS	31,75	10,16	9,40	5,08	20,7	22,2	15,0	2,03	15,2/3455	0,79
TL-C2052SS	31,75	19,05	9,40	5,08	20,7	22,2	15,0	2,03	15,2/3455	1,29
TL-C210BSS	31,75	10,16	9,65	5,08	19,5	20,9	14,7	1,70	13,3/2990	0,75
TL-C2060SS	38,10	11,91	12,57	5,94	25,9	27,7	18,0	2,42	21,7/4932	1,13
TL-C2062SS	38,10	22,23	12,57	5,94	25,9	27,7	18,0	2,42	21,7/4932	1,63
TL-C2060HSS	38,10	11,91	12,57	5,94	29,2	31,6	18,0	3,25	21,7/4932	1,46
TL-C2062HSS	38,10	22,23	12,57	5,94	29,2	31,6	18,0	3,25	21,7/4932	2,10
TL-C212BSS	38,10	12,07	11,68	5,72	22,5	25,2	16,0	1,85	18,5/4159	0,89
TL-C2080SS	50,80	15,88	15,75	7,92	32,7	36,5	24,0	3,25	38,9/8841	2,11
TL-C2082SS	50,80	28,58	15,75	7,92	32,7	36,5	24,0	3,25	38,9/8841	3,16
TL-C2080HSS	50,80	15,88	15,75	7,92	36,2	39,4	24,0	4,00	38,9/8841	2,57
TL-C2082HSS	50,80	28,58	15,75	7,92	36,2	39,4	24,0	4,00	38,9/8841	3,63
TL-C216BSS	50,80	15,88	17,02	8,28	36,1	39,1	21,0	4,50/3,10	40,0/8992	2,10
TL-C2100SS	63,50	19,05	18,90	9,53	40,4	44,7	30,0	4,00	60,0/13636	3,05
TL-C2102SS	63,50	39,67	18,90	9,53	40,4	44,7	30,0	4,00	60,0/13636	4,89
TL-C2100HSS	63,50	19,05	18,90	9,53	43,6	46,9	30,0	4,80	60,0/13636	3,61
TL-C2102HSS	63,50	39,67	18,90	9,53	43,6	46,9	30,0	4,80	60,0/13636	5,45
TL-C220BSS	63,50	19,05	19,56	10,19	41,3	45,0	26,4	4,50/3,50	57,0/12814	2,93

Small roller type



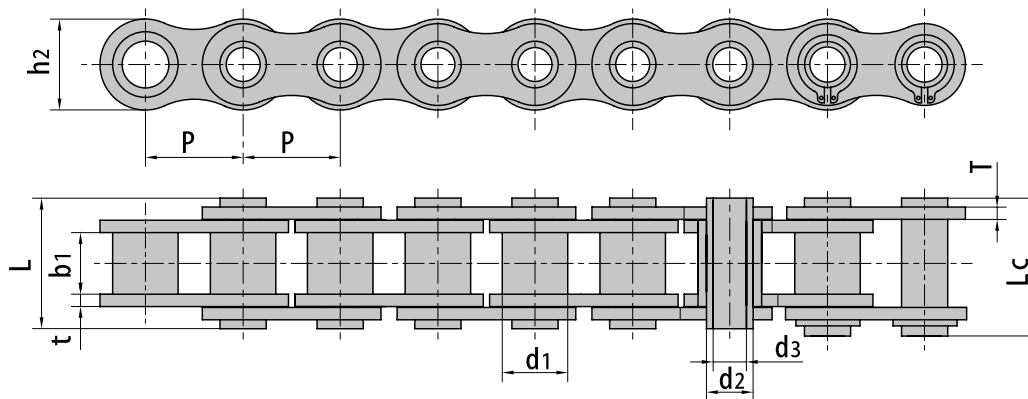
Large roller type



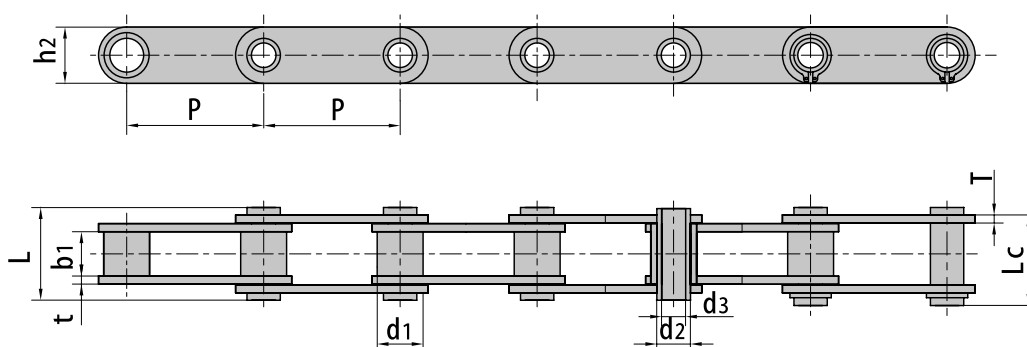
STAINLESS STEEL HOLLOW PIN CHAINS

REFERENCE	PITCH	BUSH DIAMETER	WIDTH BETWEEN INNER PLATES	PIN DIAMETER		PIN LENGTH		INNER PLATE DEPTH	PLATE THICKNESS	BREAKING LOAD	WEIGHT PER METER	TYPE
				d2 max mm	d3 min mm	L max mm	Lc max mm					
TL-08BHPSS	12,700	8,51	7,75	6,55	4,50	16,40		11,80	1,60	7,7/1731	0,56	A
TL-08BHPFSS	12,700	8,51	7,75	6,55	4,50	16,40	17,60	11,80	1,60/1,30	7,8/1753	0,50	A
TL-08BHPF5SS	12,700	8,51	7,75	6,30	4,50	16,80	18,00	12,00	1,60	6,7/1506	0,63	A
TL-C08BHPSS	12,700	8,51	7,75	6,55	4,50	16,40	17,60	11,80	1,60/1,30	7,7/1731	0,62	B
TL-40HPSS	12,700	7,95	7,85	5,63	4,00	16,50	17,60	12,00	1,50	7,7/1731	0,55	A
TL-50HPSS	15,875	10,16	9,40	7,03	5,13	20,70	21,90	15,09	2,03	14,0/3147	0,92	A
TL-10BHPF3SS	15,875	10,16	9,65	7,02	5,13	19,05	20,50	14,70	1,70	7,0/1574	0,87	A
TL-60HPSS	19,050	11,91	12,70	8,31	6,00	25,80	26,80	18,00	2,42	16,8/3777	1,31	A
TL-60HPF6SS	19,050	11,91	12,70	8,31	5,00	25,80	26,80	18,00	2,42	15,0/3409	1,40	A
TL-80HPSS	25,400	15,88	15,75	11,40	8,05	32,50	33,80	24,00	3,25	35,0/7868	2,29	A
TL-C2040HPSS	25,400	7,95	7,85	5,63	4,00	16,50	17,60	12,00	1,50	7,7/1731	0,47	B
TL-HB25.4F10SS	25,400	10,16	9,40	7,22	5,12	20,50	21,80	14,95	2,03	12,0/2698	0,84	B
TL-C2050HPSS	31,750	10,16	9,40	7,22	5,12	20,50	21,80	15,00	2,03	14,3/3215	0,77	B
TL-C2060HPSS	38,100	11,91	12,70	8,31	6,00	25,80	26,80	17,00	2,42	16,8/3777	1,03	B
TL-HP50F10SS	50,000	18,00	12,00	8,30	8,30	39,50	40,60	30,00	3,00	30,0/6744	2,71	B
TL-C2080HPSS	50,800	15,88	15,75	11,40	8,05	32,50	33,80	24,00	3,25	35,0/7868	1,83	B

Type A

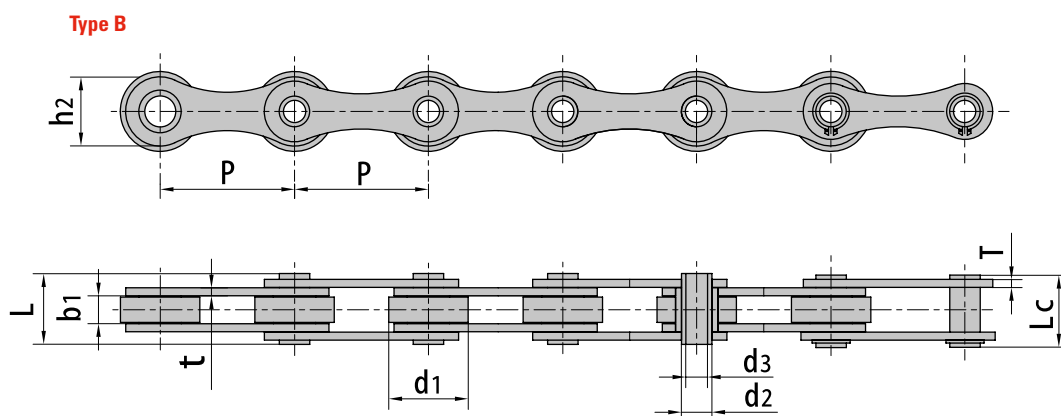
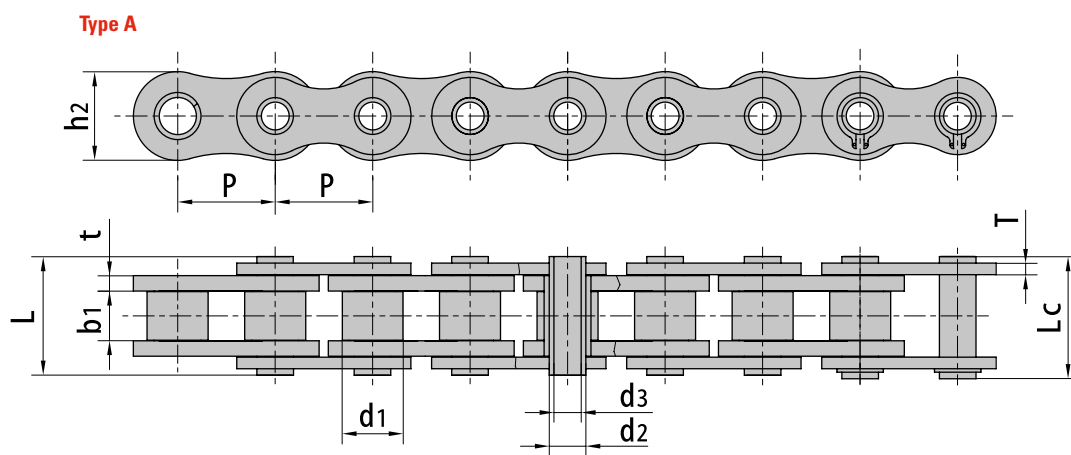


Type B



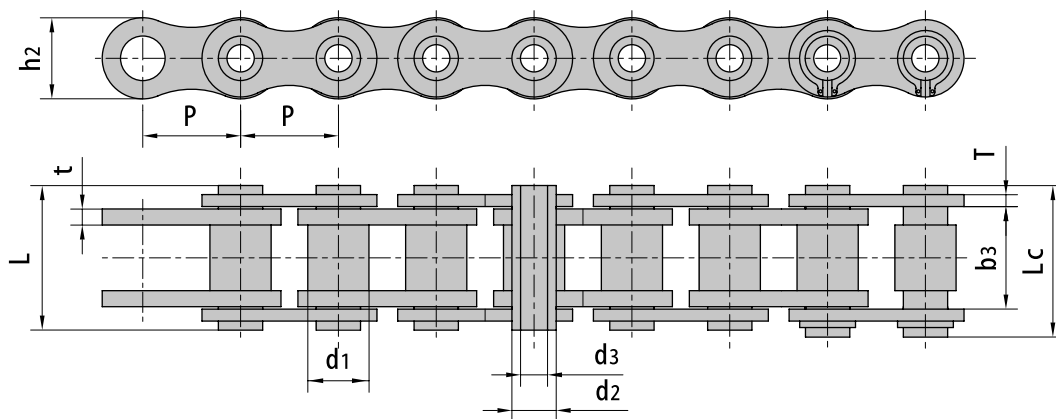
STAINLESS STEEL HOLLOW PIN CHAINS

REFERENCE	PITCH	ROLLER DIAMETER	WIDTH BETWEEN INNER PLATES	PIN DIAMETER		PIN LENGTH		INNER PLATE DEPTH	PLATE THICKNESS	BREAKING LOAD	WEIGHT PER METER	TYPE
				d2 max mm	d3 min mm	L max mm	Lc max mm					
TL-10BHPSS	15,875	10,16	9,65	5,94	4,04	19,30	20,50	14,70	1,70	11,0/2473	0,87	A
TL-12BHPSS	19,050	12,07	11,68	6,50	4,00	21,60	22,80	15,90	1,85	14,0/3147	1,12	A
TL-16BHPSS	25,400	15,88	17,02	8,28	4,20	35,20	36,50	21,00	4,15/3,10	25,4/5710	2,50	A
TL-16BHPF1SS	25,400	15,88	12,70	9,53	7,05	30,80	32,20	23,00	4,15/3,10	25,0/5620	2,30	A
TL-HB25.4F6SS	25,400	16,00	8,00	6,05	4,20	19,20	20,20	12,00	2,03	6,0/1349	0,90	B
TL-HP35SS	35,000	20,00	16,00	13,35	10,20	30,40	31,60	26,30	2,50	16,4/3687	2,13	A
TL-HP41.75F1SS	41,750	17,10	20,20	11,11	8,20	35,70	39,00	21,65	3,10	13,2/2967	1,60	A
TL-HP41.75F3SS	41,750	17,00	20,50	11,00	8,30	36,00	39,50	21,40	3,00	13,2/2967	1,64	A
TL-DH16500HPSS	50,000	30,00	10,50	11,40	8,20	27,40	28,60	26,00	3,10	29,0/6519	2,24	B
TL-HB50F4SS	50,000	30,00	10,00	11,60	8,20	26,60	28,40	25,40	3,00	36,0/8093	1,47	B
TL-HP50F8SS	50,000	25,00	11,20	8,95	6,30	26,00	26,70	20,20	2,50	19,5/4384	1,79	B
TL-HB50.8SS	50,800	30,00	10,50	11,40	8,20	27,40	28,60	26,00	3,10	35,0/7868	2,60	A
TL-HB50.8F13SS	50,800	30,60	13,25	11,40	8,20	30,50	31,70	25,50	3,10	32,0/7194	1,66	B
TL-HB50.8F42SS	50,800	30,00	10,00	11,60	8,00	26,60	30,00	25,40	3,00	50,0/11240	2,00	B
TL-1650HPPF3SS	50,800	30,00	10,50	11,20	8,20	27,40	28,60	26,00	3,10	32,0/7164	1,80	B
TL-HB50.8F21SS	50,800	30,00	10,00	11,60	8,20	26,60	28,40	25,40	3,00	36,0/8093	1,46	B
TL-DH16500HPSS	50,800	30,00	10,50	11,40	8,20	27,40	28,60	26,00	3,10	32,0/7194	1,60	B
TL-HB63F6SS	63,000	30,00	10,00	11,70	8,20	26,70	28,10	26,50	3,10	35,0/7868	2,09	B
TL-HB100F7SS	100,000	30,00	10,00	11,50	8,20	26,50	27,70	25,50	3,00	35,0/7868	1,28	B

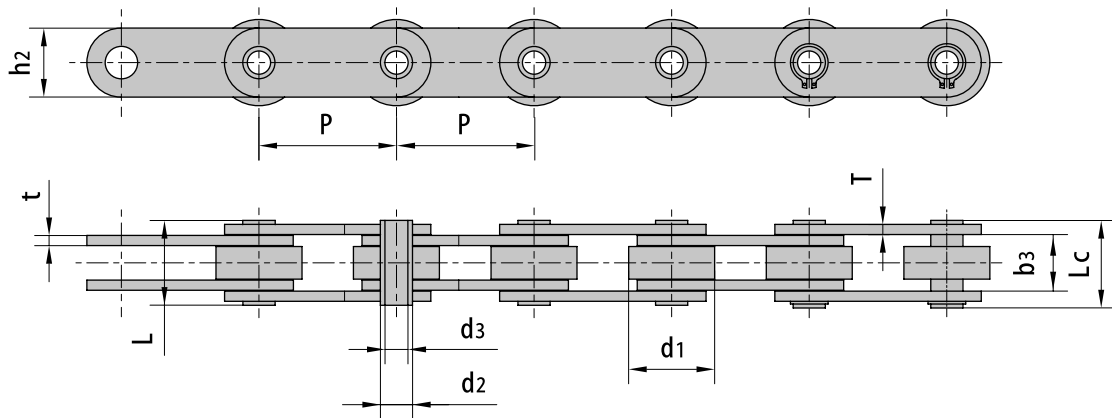


REFERENCE	PITCH	ROLLER DIAMETER	WIDTH BETWEEN OUTER PLATES	PIN DIAMETER		PIN LENGTH		INNER PLATE DEPTH	PLATE THICKNESS	BREAKING LOAD	WEIGHT PER METER	TYPE
				d2 max mm	d3 min mm	L max mm	Lc max mm					
TL-08BHPF2SS	12,700	8,51	13,20	6,65	5,20	18,00	19,20	11,80	1,60	7,0/1591	0,50	A
TL-08BHPF3SS	12,700	8,51	13,40	6,65	4,00	19,00	20,20	11,80	1,70	9,8/2227	0,69	A
TL-10BHPF9SS	15,875	10,16	15,80	7,03	5,10	19,20	20,20	14,00	1,85	11,9/2705	0,87	A
TL-12BHPF1SS	19,050	12,07	15,80	8,03	5,40	22,70	23,90	15,80	1,85	13,0/2955	1,20	A
TL-12BHPF8SS	19,050	12,07	12,70	8,03	5,70	22,40	23,90	15,80	1,85	13,0/2955	1,04	A
TL-60HPF3SS	19,050	11,91	12,70	8,40	6,10	24,70	26,00	18,00	2,03	12,0/2727	1,54	A
TL-HP20SS	20,000	12,00	28,80	8,40	6,00	38,00	40,00	18,00	3,00	18,0/4091	3,00	A
TL-HB38.1F5SS	38,100	18,00	22,50	14,00	10,20	32,80	34,30	28,00	3,50	40,0/9091	2,80	B

Type A

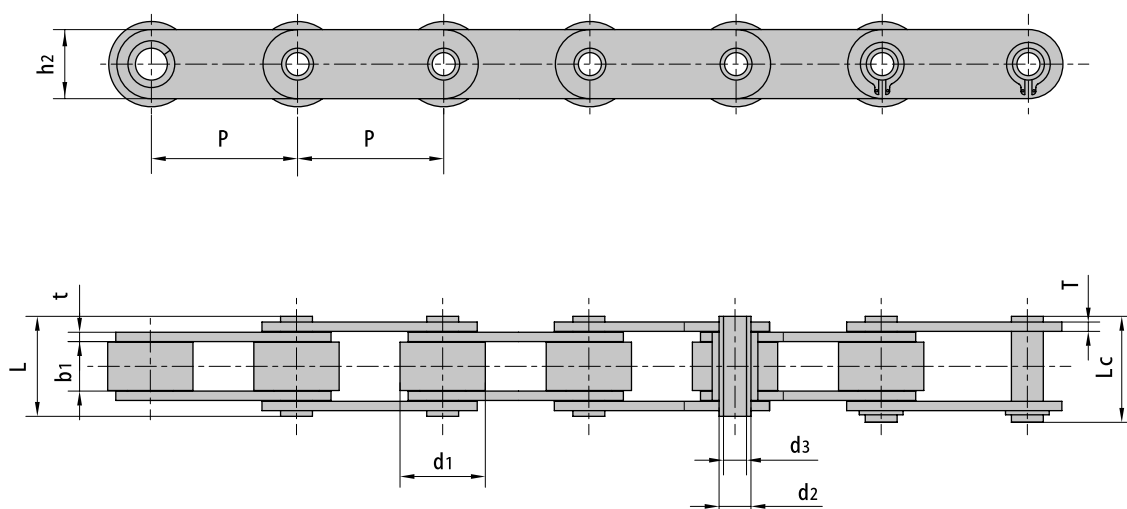


Type B



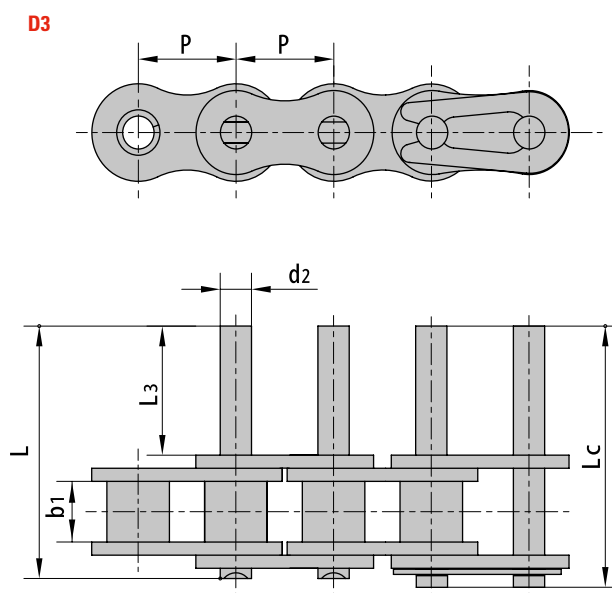
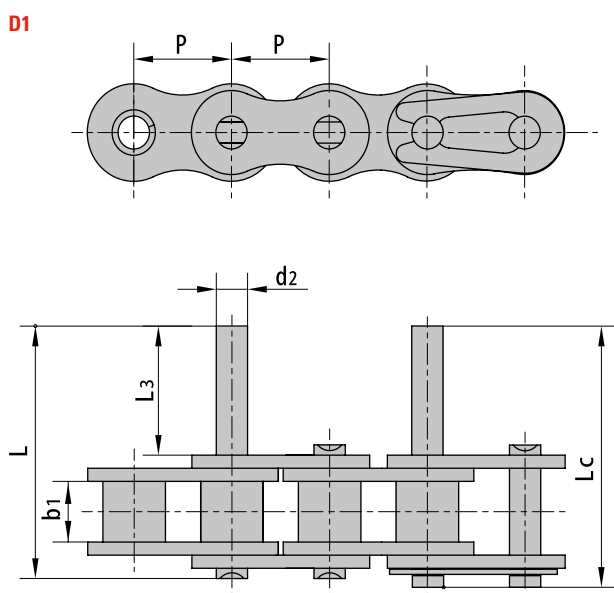
STAINLESS STEEL HOLLOW PIN CHAINS

REFERENCE	PITCH	ROLLER DIAMETER	WIDTH BETWEEN INNER PLATES	PIN DIAMETER		PIN LENGTH		INNER PLATE DEPTH	PLATE THICKNESS	BREAKING LOAD	WEIGHT PER METER
				d2 max mm	d3 min mm	L max mm	Lc max mm				
TL-C2042HPSS	25,400	15,88	7,85	5,63	4,00	16,50	17,60	12,00	1,50	7,7/1731	0,79
TL-C2052HPSS	31,750	19,05	9,53	7,22	5,12	20,50	21,80	15,00	2,03	14,3/3215	1,27
TL-C2062HPSS	38,100	22,23	12,70	8,31	6,00	25,80	26,80	17,00	2,42	16,8/3777	1,74
TL-C2082HPSS	50,800	28,58	15,75	11,40	8,05	32,40	33,80	24,00	3,25	35,0/7868	2,86
TL-C2042H-HPSS	25,400	15,88	7,85	5,63	4,00	18,80	19,90	12,00	2,03	7,7/1731	0,96
TL-C2052H-HPSS	31,750	19,05	9,53	7,22	5,12	22,10	23,40	15,00	2,42	14,3/3215	1,46
TL-C2062H-HPSS	38,100	22,23	12,70	8,31	6,00	29,20	30,20	17,00	3,25	16,8/3777	2,02
TL-C2082H-HPSS	50,800	28,58	15,75	11,40	8,05	36,20	37,60	24,00	4,00	35,0/7868	3,30
TL-HB25.4F2SS	25,400	15,89	17,26	9,00	6,35	31,30	32,50	20,00	2,50	24,0/5395	1,99
TL-HB30SS	30,000	20,00	14,70	9,00	6,30	29,00	31,00	20,00	2,50	18,0/4046	2,23
TL-HB45SS	45,000	28,00	17,75	10,00	6,00	34,50	36,60	25,40	3,00	35,0/7868	3,60
TL-HB50F3SS	50,000	25,00	11,50	9,00	6,00	25,00	26,50	20,00	2,50	21,0/4721	1,24
TL-HB50F5SS	50,000	28,00	17,75	10,00	6,00	34,50	36,60	25,00	3,00	35,0/7868	3,43
TL-HB50F6SS	50,000	20,00	17,75	10,00	6,00	34,50	36,60	25,00	3,00	35,0/7868	2,51
TL-C10BHBSS	15,875	10,16	9,65	5,94	4,04	19,30	20,50	14,70	1,70	10,0/2248	0,99
TL-C60HBF4SS	19,080	11,91	12,70	7,00	4,00	25,50	36,60	18,00	2,42	15,0/3372	1,70
TL-MC35SS-P-50	50,000	31,00	14,80	14,00	10,20	31,00	33,00	25,00	3,00	21,0/4721	2,90
TL-DH4203HPSS	76,200	31,75	15,00	14,00	10,10	25,00	39,00	26,00	3,80	29,4/6609	3,05



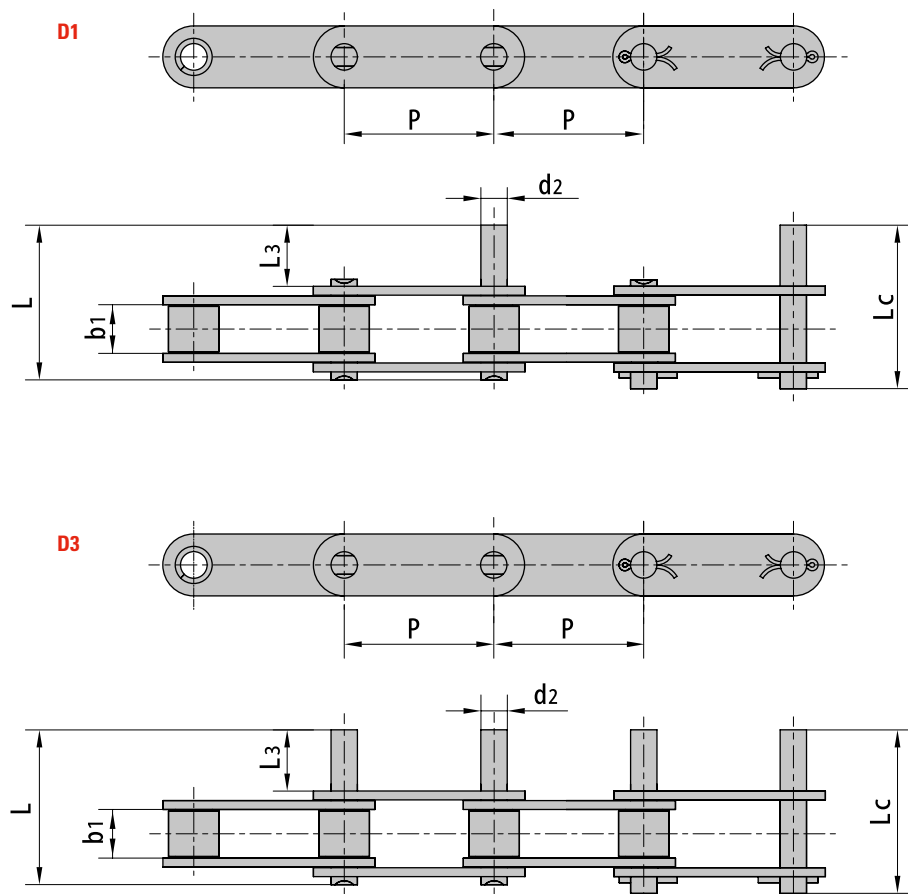
STAINLESS STEEL SHORT PITCH CONVEYOR CHAINS WITH EXTENDED PINS

REFERENCE	P	b1	d2	L3	L	Lc
	mm	mm	mm	mm	mm	mm
TL-06CSS-EP	9,525	4,77	3,58	9,5	20,8	21,6
TL-08ASS-EP	12,700	7,85	3,96	9,5	25,1	26,2
TL-10ASS-EP	15,875	9,40	5,08	11,9	31,3	33,1
TL-12ASS-EP	19,050	12,57	5,94	14,3	38,6	40,6
TL-16ASS-EP	25,400	15,75	7,92	19,1	50,3	53,3
TL-20ASS-EP	31,750	18,90	9,53	23,8	61,8	66,1
TL-24ASS-EP	38,100	25,22	11,10	28,6	76,4	80,4
TL-28ASS-EP	44,450	25,22	12,70	33,3	84,8	89,4
TL-32ASS-EP	50,800	31,55	14,27	38,1	99,6	104,4
TL-08BSS-EP	12,700	7,75	4,45	9,5	25,1	26,6
TL-10BSS-EP	15,875	9,65	5,08	11,9	30,1	31,5
TL-12BSS-EP	19,050	11,68	5,72	14,3	35,4	37,1
TL-16BSS-EP	25,400	17,02	8,28	19,1	53,0	54,3
TL-20BSS-EP	31,750	19,56	10,19	41,0	79,9	83,6
TL-24BSS-EP	38,100	25,40	14,63	50,7	101,4	105,8
TL-28BSS-EP	44,450	30,99	15,90	61,9	124,0	128,4
TL-32BSS-EP	50,800	30,99	17,81	64,8	126,8	131,8



STAINLESS STEEL DOUBLE PITCH CONVEYOR CHAINS WITH EXTENDED PINS

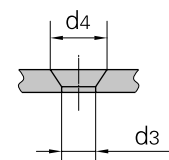
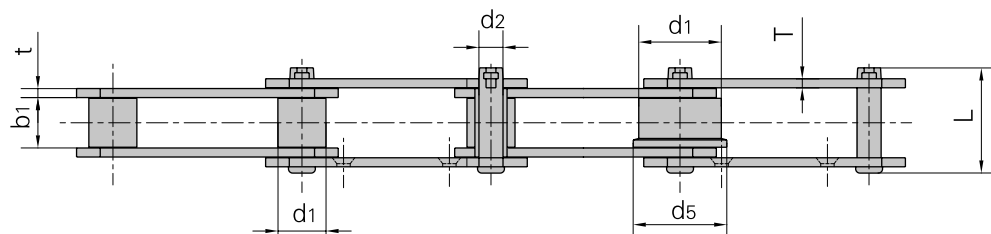
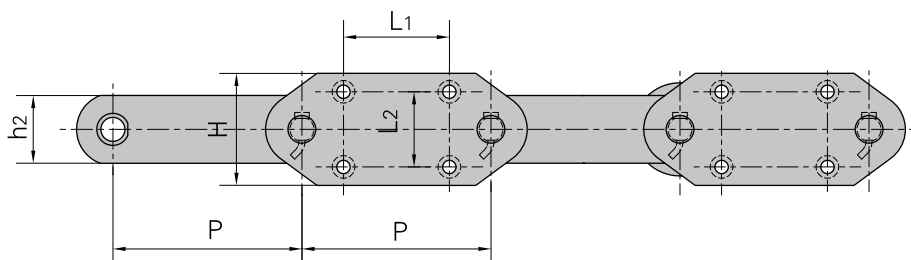
REFERENCE	P	b ₁	d ₂	L ₃	L	L _c
	mm	mm	mm	mm	mm	mm
TL-C2040SS-EP	25,40	7,85	3,96	9,5	25,1	26,2
TL-C2042SS-EP	25,40	7,85	3,96	9,5	25,1	26,2
TL-C2050SS-EP	31,75	9,40	5,08	11,9	31,3	33,1
TL-C2052SS-EP	31,75	9,40	5,08	11,9	31,3	33,1
TL-C2060SS-EP	38,10	12,57	5,94	14,3	38,6	40,6
TL-C2062SS-EP	38,10	12,57	5,94	14,3	38,6	40,6
TL-C2060HSS-EP	38,10	12,57	5,94	14,3	42,0	43,8
TL-C2062HSS-EP	38,10	12,57	5,94	14,3	42,0	43,8
TL-C2080SS-EP	50,80	15,75	7,92	19,1	50,3	53,3
TL-C2082SS-EP	50,80	15,75	7,92	19,1	50,3	53,3
TL-C2080HSS-EP	50,80	15,75	7,92	19,1	53,5	55,0
TL-C2082HSS-EP	50,80	15,75	7,92	19,1	53,5	55,0
TL-C2100SS-EP	63,50	18,90	9,53	23,8	61,8	66,1
TL-C2102SS-EP	63,50	18,90	9,53	23,8	61,8	66,1
TL-C2100HSS-EP	63,50	18,90	9,53	23,8	65,0	68,3
TL-C2102HSS-EP	63,50	18,90	9,53	23,8	65,0	68,3
TL-C2120HSS-EP	76,20	25,22	11,10	28,6	79,6	83,6
TL-C2122HSS-EP	76,20	25,22	11,10	28,6	79,6	83,6
TL-C2160HSS-EP	101,60	31,75	14,27	38,1	103,0	107,8
TL-C2162HSS-EP	101,60	31,75	14,27	38,1	103,0	107,8



ENGINEERING CHAINS

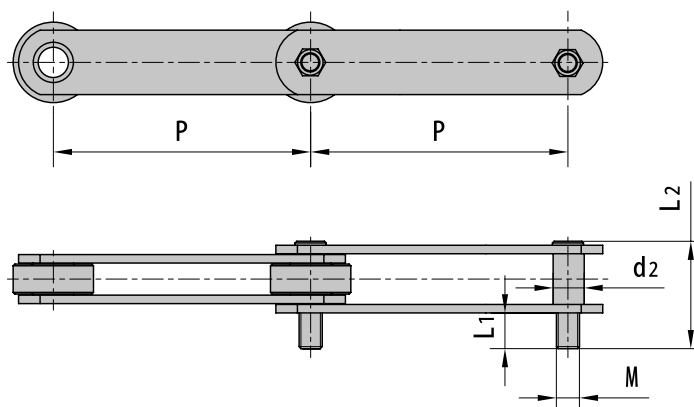
CONVEYOR CHAINS FOR ELEVATOR

REFERENCE	PITCH	ROLLER DIAMETER		WIDTH BETWEEN PLATES	PIN DIAMETER	PIN LENGTH	PLATE DEPTH	PLATE THICKNESS	TENSILE STRENGTH	AVERAGE TENSILE STRENGTH	WEIGHT PER METER
		d1 max mm	d5 mm								
TL-P95	95,0	50,8	58,0	30,0	13,5	70,0	38,0	6,0	75,0/16871	82,5	9,93
TL-P100F225-G4	100,0	40,0		22,0	11,3	53,5	32,0	4,5	69,0/15511	75,9	5,00
TL-P100F269-G4	100,0	48,5		57,6	25,4	120,0	75,0	10,0	550,0/123640	605,0	31,10
TL-P125F61-G4	125,0	63,5		67,4	32,0	141,0	90,0	12,0	750,0/168600	825,0	47,00
TL-P125F62-G4	125,0	70,0		75,0	36,0	168,0	100,0	16,0	1000,0/224800	1100,0	68,60
TL-P150F142-G4	150,0	78,0		80,0	39,0	172,0	120,0	16,0	1350,0/303480	1485,0	78,90
TL-RF10150RF1	150,0	50,0	60,0	30,0	14,5	69,0	38,1	8,0/6,3	200,0/44992	220,0	8,64
TL-P150F47	150,0	54,0		40,0	27,0	112,0	68,5	12,0	600,0/67487	680,0	25,70
TL-RF10150RF1-G4	150,0	29,0		30,0	14,5	69,0	38,1	6,3	200,0/44960	220,0	16,70
TL-P152F41	152,4	38,1		36,0	15,5	90,0	50,0	8,0	150,0/33743	165,0	11,91
TL-P152F236-G4	152,4	36,0		36,5	18,0	87,0	50,0	8,0	280,0/62944	308,0	12,10
TL-RF17200MF1-G-4	200,0	44,5		51,4	19,1	120,0	60,0	10,0	245,0/55114	269,5	17,60
TL-RF17200MF2-G-4	200,0	44,5		51,4	19,1	109,5	50,8	9,5	213,0/47916	243,0	15,10
TL-P200F128-G4	200,0	50,8		56,6	24,0	120,0	70,0	9,5	450,0/101164	490,0	19,40
TL-P200F130-G4	200,0	44,5		51,8	19,1	113,0	60,0	10,0	321,0/72164	353,1	17,80
TL-P250F6	250,0	63,5		67,0	31,8	146,0	90,0	12,0	900,0/101230	495,0	31,70
TL-P250F66	250,0	80,0		51,4	19,1	109,5	50,8	9,5	329,0/73962	378,0	19,79
TL-P250F71SS	250,0	100,0	125,0	79,0	22,0	120,0	64,0	10,0	320,0/71939	368,0	29,80
TL-P250F87-G4	250,0	80,0		51,4	22,0	109,0	50,8	9,5	329,0/73969	361,9	19,60
TL-P250F110-G4	250,0	80,0	105,0	51,5	19,1	110,0	50,0	9,0	356,4/80119	392,0	18,30
TL-P250F163	250,0	70,0		76,0	35,0	165,0	100,0	16,0	1100,0/247280	1210,0	44,10
TL-P300F1	300,0	70,0		75,0	35,0	174,0	100,0	16,0	1065,0/239580	1118,0	47,47
TL-P350F2-G4	350,0	85,0		85,0	41,8	189,5	115,0	16,0	1200,0/269772	1372,0	48,43

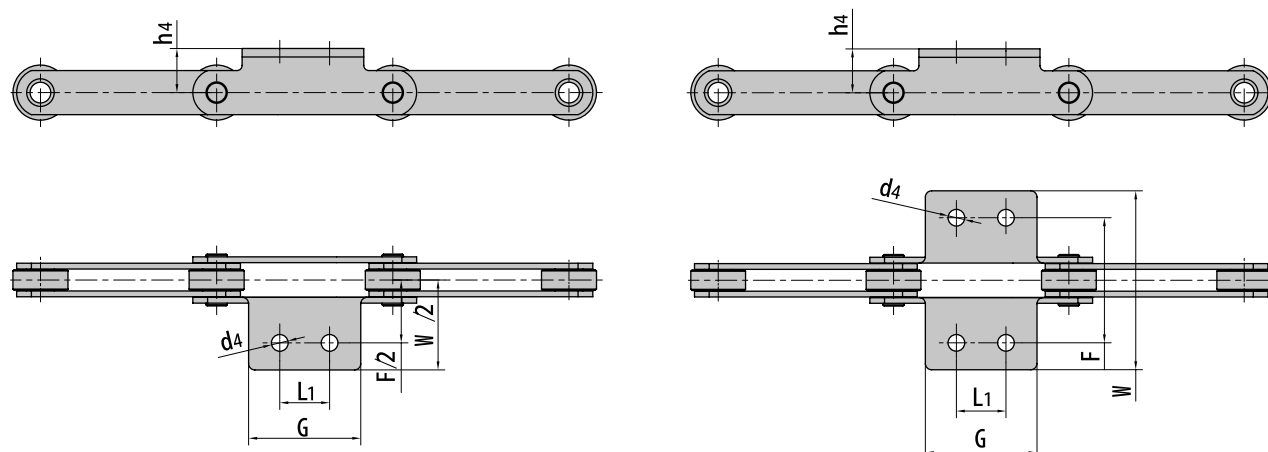


PALM OIL CHAINS

REFERENCE	PITCH	PIN DIAMETER	DIAMETER OF THREAD	EXTENDED PART SIZE OF THE EXTENDED PIN	PIN LENGTH
	P mm	d2 max mm	M mm	L1 mm	L2 max mm
TL-P101.6F2	101,60	19,10	M16	36,00	80,00
TL-P152F5	152,40	26,90	M20	24,00	80,00
TL-P152F17	152,40	27,00	M24	50,00	115,00
TL-PO152F1	152,40	32,00	M30	64,00	154,00
TL-PO152F3	152,40	27,00	M20	45,00	110,00
TL-PO152F4	152,40	21,84	0.75-UNC-2	88,10	134,10
TL-PO152F25	152,40	32,00	M24	50,00	136,00



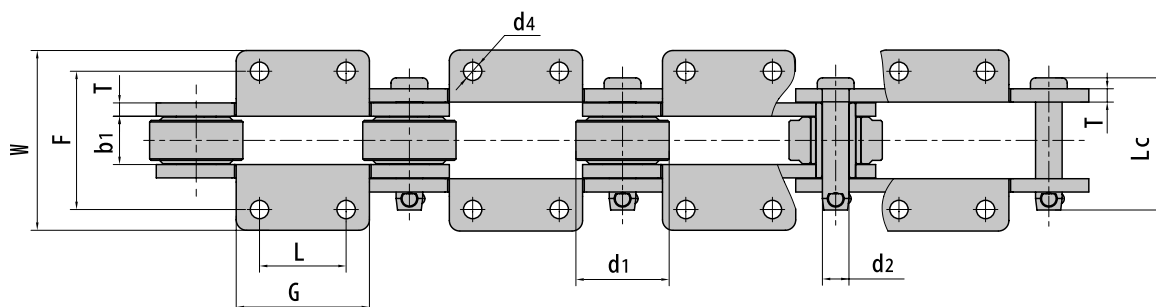
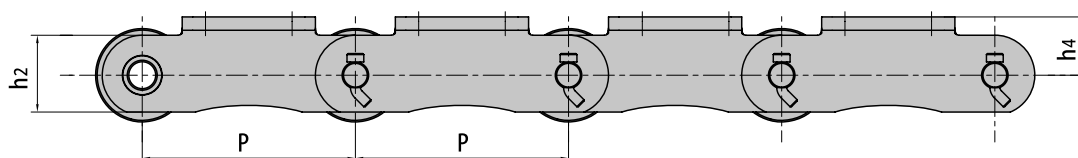
REFERENCE	P	L1	G	F	W	d4	h4
	mm	mm	mm	mm	mm	mm	mm
TL-90R-S	101,60	31,80	63,50	89,00	124,00	15,90	10,70
TL-P101.6F2	101,60	31,80	71,60	88,80	123,40	31,80	10,70
TL-P101.6F2K2(d)	101,60	40,00	70,00	78,00	105,00	32,00	11,50
TL-P152F17	152,40	57,20	106,70	116,00	154,00	38,10	12,30
TL-P152F29	152,40	57,20	106,70	118,00	156,00	38,10	12,30
TL-P76.7	76,70		47,00	111,10	145,00	25,40	12,00



SUGAR MILL CHAINS

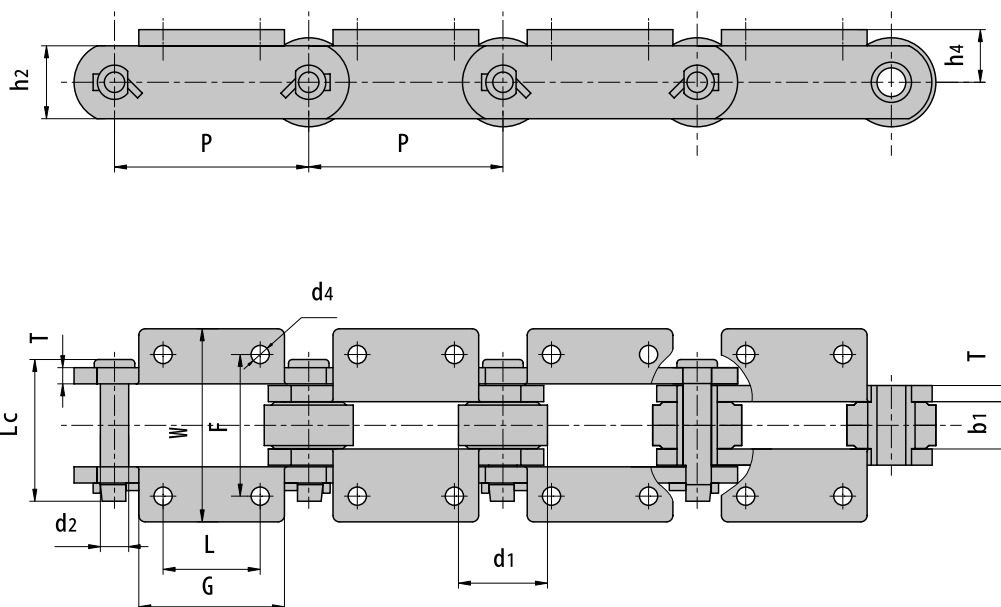
REFERENCE	PITCH	ROLLER DIAMETER	WIDTH BETWEEN INNER PLATES	PIN DIAMETER	PIN LENGTH	PLATE DEPTH	PLATE THICKNESS	TENSILE STRENGTH	AVERAGE TENSILE STRENGTH	WEIGHT PER METER
	P mm	d1 max mm	b1 mm	d2 max mm	Lc max mm	h2 max mm	T max mm	Q min kN/lbf	Qo kN	q Kg/m
TL-P152F68K2	152,4	69,85	37,10	22,23	111,2	57,2	12,70	413/92842	455,0	26,50
TL-P152F97K2	152,4	76,20	38,10	26,90	116,6	60,3	12,70	450/101160	495,0	30,70
TL-P152F101K2	152,4	69,85	37,10	18,90	96,6	54,1	9,52	311/69913	345,0	24,68
TL-SM203.2F3K2	203,2	88,90	46,00	25,32	126,0	71,4	12,70	520/116900	545,0	37,70
TL-SM203.2F4K2	203,2	88,90	46,00	25,32	126,0	73,2	12,70	585/131513	614,0	35,90
TL-SM203.2F5K2	203,2	88,90	46,00	25,32	126,0	70,0	12,70	480/107908	504,0	37,60

REFERENCE	P	G	L	F	W	h4	d4
	mm	mm	mm	mm	mm	mm	mm
TL-P152F68K2	152,4	114,3	76,2	111,10	151,5	41,30	14,30
TL-P152F97K2	152,4	111,3	76,2	111,10	148,6	42,92	14,30
TL-P152F101K2	152,4	139,7	76,2	111,20	169,1	41,40	14,20
TL-SM203.2F3K2	203,2	152,4	82,6	131,76	182,6	55,50	19,05
TL-SM203.2F4K2	203,2	127,0	82,6	131,76	171,4	55,50	17,50
TL-SM203.2F5K2	203,2	152,4	82,6	133,80	191,0	54,50	19,05



SUGAR MILL CHAINS

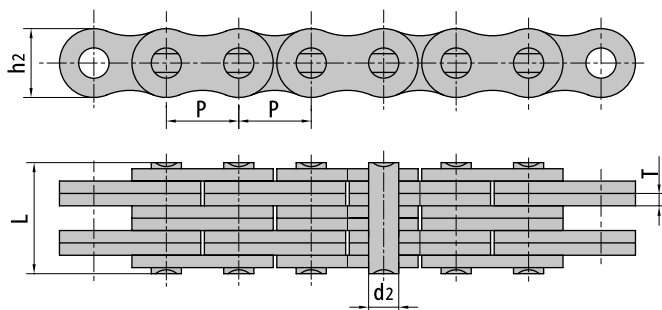
REFERENCE	P	G	L	F	W	h ₄	d ₄
	mm	mm	mm	mm	mm	mm	mm
TL-SM150F1K2	150,00	95,00	55,00	155,00	233,00	55,00	15,00
TL-DH9063	152,40	114,30	76,20	111,13	165,86	44,45	14,30
TL-DH2198	152,40	114,30	76,20	111,25	152,40	41,40	14,30
TL-P152F78K2	152,40	114,30	76,20	111,00	165,00	41,30	14,00
TL-P152F78K2F1	152,40	114,30	76,20	111,00	165,00	41,30	13,00
TL-P152F83K2	152,40	111,00	76,20	111,60	152,20	41,30	14,30
TL-P152F87K2	152,40	114,30	76,20	111,40	165,00	44,50	14,30
TL-P152F93K2	152,40	110,00	76,20	111,00	146,00	44,50	14,30
TL-P152F103	152,40	108,00	76,20	111,10	147,60	50,80	14,30
TL-SM152F25K2	152,40	88,90	50,80	101,60	143,80	31,75	10,40
TL-SM152F29K2	152,40	111,30	76,20	111,30	146,10	41,10	14,20
TL-SM152F33K2	152,40	114,30	76,20	111,30	169,40	42,90	14,20
TL-SM152F46K2	152,40	136,70	76,20	111,20	152,40	41,10	14,20
TL-SM152F57K2	152,40	110,00	76,20	111,20	170,00	41,50	15,00
TL-P203.2F8	203,20	165,00	114,30	132,00	183,00	55,50	17,50
TL-SM203.2F1K2	203,20	146,00	82,60	193,70	260,30	69,90	17,50
TL-SM203.2F15K2	203,20	127,00	82,60	131,80	183,40	55,60	17,50
TL-SM228.6F16K2	228,60	152,00	100,00	156,50	222,50	42,00	14,00
TL-SM304.8F18K2	304,80	203,20	152,40	203,20	257,80	69,85	17,50



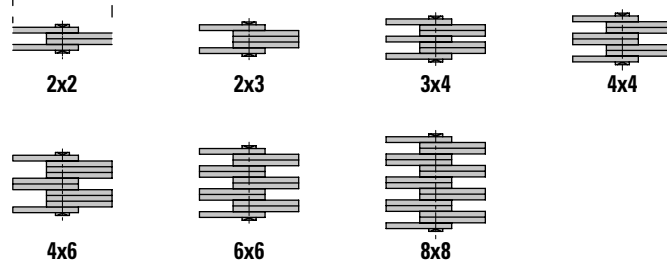
LEAF AND HOIST CHAINS

LEAF AND HOIST CHAINS

REFERENCE	ANSI NO.	PITCH	PLATE LACING	PLATE DEPTH	PLATE THICKNESS	PIN DIAMETER	PIN LENGTH	TENSILE STRENGTH	AVERAGE TENSILE STRENGTH	WEIGHT PER METER
		P mm		h2 max mm	T max mm	d2 max mm	L max mm	Q min kN/lbf	Qo kN	q Kg/m
TL-LH0822	TL-BL422	12,700	2x2	12,07	2,03	5,09	11,05	22,2/5045	27,6	0,60
TL-LH0823	TL-BL423	12,700	2x3	12,07	2,03	5,09	13,16	22,2/5045	27,6	0,75
TL-LH0834	TL-BL434	12,700	3x4	12,07	2,03	5,09	17,40	33,4/7591	41,4	1,05
TL-LH0844	TL-BL444	12,700	4x4	12,07	2,03	5,09	19,51	44,5/10114	56,0	1,20
TL-LH0846	TL-BL446	12,700	4x6	12,07	2,03	5,09	23,75	44,5/10114	56,0	1,46
TL-LH0866	TL-BL466	12,700	6x6	12,07	2,03	5,09	27,99	66,7/15159	81,7	1,77
TL-LH0888	TL-BL488	12,700	8x8	12,07	2,03	5,09	36,45	89,0/20227	109,4	2,32
TL-LH1022	TL-BL522	15,875	2x2	15,09	2,42	5,96	12,90	33,4/7591	43,1	0,90
TL-LH1023	TL-BL523	15,875	2x3	15,09	2,42	5,96	15,37	33,4/7591	43,1	1,10
TL-LH1034	TL-BL534	15,875	3x4	15,09	2,42	5,96	20,32	48,9/11114	65,6	1,50
TL-LH1044	TL-BL544	15,875	4x4	15,09	2,42	5,96	22,78	66,7/15159	84,5	1,80
TL-LH1046	TL-BL546	15,875	4x6	15,09	2,42	5,96	27,74	66,7/15159	84,5	2,20
TL-LH1066	TL-BL566	15,875	6x6	15,09	2,42	5,96	32,69	100,1/22750	125,1	2,65
TL-LH1088	TL-BL588	15,875	8x8	15,09	2,42	5,96	42,57	133,4/30318	169,5	3,50
TL-LH1222	TL-BL622	19,050	2x2	18,11	3,25	7,94	17,37	48,9/11114	68,2	1,50
TL-LH1223	TL-BL623	19,050	2x3	18,11	3,25	7,94	20,73	48,9/11114	68,2	1,80
TL-LH1234	TL-BL634	19,050	3x4	18,11	3,25	7,94	27,43	75,6/17181	102,8	2,50
TL-LH1244	TL-BL644	19,050	4x4	18,11	3,25	7,94	30,78	97,9/22250	136,9	2,90
TL-LH1246	TL-BL646	19,050	4x6	18,11	3,25	7,94	37,49	97,9/22250	136,9	3,60
TL-LH1266	TL-BL666	19,050	6x6	18,11	3,25	7,94	44,20	146,8/33364	214,2	4,30
TL-LH1288	TL-BL688	19,050	8x8	18,11	3,25	7,94	57,61	195,7/44477	217,7	5,80
TL-LH1622	TL-BL822	25,400	2x2	24,13	4,00	9,54	21,34	84,5/19204	108,2	2,40
TL-LH1623	TL-BL823	25,400	2x3	24,13	4,00	9,54	25,48	84,5/19204	108,2	3,00
TL-LH1634	TL-BL834	25,400	3x4	24,13	4,00	9,54	33,76	129,0/29318	170,0	4,20
TL-LH1644	TL-BL844	25,400	4x4	24,13	4,00	9,54	37,90	169,0/38409	214,6	4,80
TL-LH1646	TL-BL846	25,400	4x6	24,13	4,00	9,54	46,18	169,0/38409	214,6	6,00
TL-LH1666	TL-BL866	25,400	6x6	24,13	4,00	9,54	54,46	253,6/57636	324,5	7,20
TL-LH1688	TL-BL888	25,400	8x8	24,13	4,00	9,54	71,02	338,1/76841	432,7	9,60



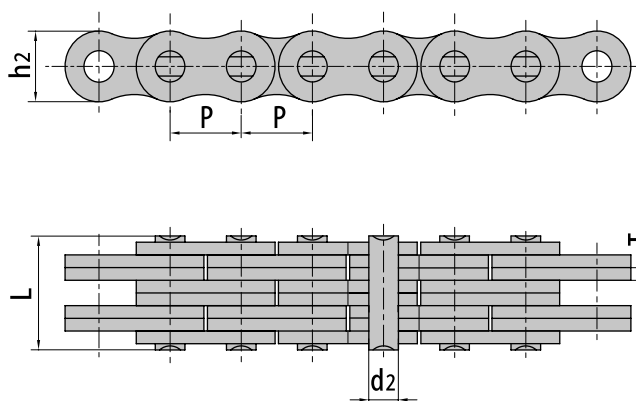
Plates lacing



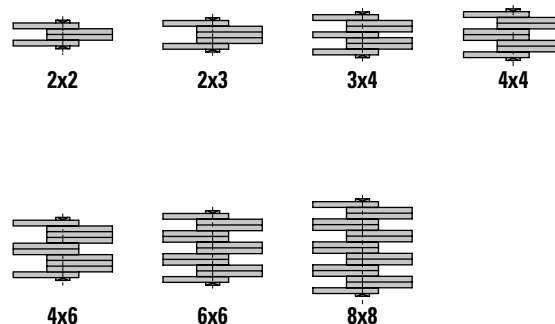
LEAF AND HOIST CHAINS

REFERENCE	ANSI NO.	PITCH	PLATE LACING	PLATE DEPTH	PLATE THICKNESS	PIN DIAMETER	PIN LENGTH	TENSILE STRENGTH	AVERAGE TENSILE STRENGTH	WEIGHT PER METER
		P mm		h2 max mm	T max mm	d2 max mm	L max mm	Q min kN/lbf	Qo kN	q Kg/m
TL-LH2022	TL-BL1022	31,75	2x2	30,18	4,80	11,11	25,37	115,6/26272	165,8	3,57
TL-LH2023	TL-BL1023	31,75	2x3	30,18	4,80	11,11	30,33	115,6/26272	165,8	4,45
TL-LH2034	TL-BL1034	31,75	3x4	30,18	4,80	11,11	40,23	182,4/41454	248,7	6,19
TL-LH2044	TL-BL1044	31,75	4x4	30,18	4,80	11,11	45,19	231,3/52568	303,6	7,04
TL-LH2046	TL-BL1046	31,75	4x6	30,18	4,80	11,11	55,09	231,3/52568	303,6	8,77
TL-LH2066	TL-BL1066	31,75	6x6	30,18	4,80	11,11	65,00	347,0/78863	433,7	10,50
TL-LH2088	TL-BL1088	31,75	8x8	30,18	4,80	11,11	84,81	462,6/105136	604,1	14,00
TL-LH2422	TL-BL1222	38,10	2x2	36,20	5,60	12,71	29,62	151,2/34363	192,0	4,96
TL-LH2423	TL-BL1223	38,10	2x3	36,20	5,60	12,71	35,43	151,2/34363	192,0	6,16
TL-LH2434	TL-BL1234	38,10	3x4	36,20	5,60	12,71	47,07	244,6/55591	315,9	8,55
TL-LH2444	TL-BL1244	38,10	4x4	36,20	5,60	12,71	52,88	302,5/68750	381,1	9,76
TL-LH2446	TL-BL1246	38,10	4x6	36,20	5,60	12,71	64,52	302,5/68750	381,1	12,16
TL-LH2466	TL-BL1266	38,10	6x6	36,20	5,60	12,71	76,15	453,7/103113	543,6	14,61
TL-LH2488	TL-BL1288	38,10	8x8	36,20	5,60	12,71	99,42	605,0/137500	726,0	19,36
TL-LH2822	TL-BL1422	44,45	2x2	42,24	6,40	14,29	33,55	191,3/43477	225,7	6,89
TL-LH2823	TL-BL1423	44,45	2x3	42,24	6,40	14,29	40,16	191,3/43477	225,7	8,55
TL-LH2834	TL-BL1434	44,45	3x4	42,24	6,40	14,29	53,37	315,8/71772	448,3	11,61
TL-LH2844	TL-BL1444	44,45	4x4	42,24	6,40	14,29	59,97	382,6/86954	451,2	13,24
TL-LH2846	TL-BL1446	44,45	4x6	42,24	6,40	14,29	73,18	382,6/86954	451,2	16,51
TL-LH2866	TL-BL1466	44,45	6x6	42,24	6,40	14,29	86,39	578,3/131431	682,4	19,79
TL-LH2888	TL-BL1488	44,45	8x8	42,24	6,40	14,29	112,80	765,1/173886	902,8	26,35
TL-LH3222	TL-BL1622	50,80	2x2	48,26	*7,20	17,46	39,01	289,1/65704	341,1	8,78
TL-LH3223	TL-BL1623	50,80	2x3	48,26	*7,20	17,46	46,58	289,1/65704	341,1	10,90
TL-LH3234	TL-BL1634	50,80	3x4	48,26	*7,20	17,46	61,72	440,4/100091	519,6	15,15
TL-LH3244	TL-BL1644	50,80	4x4	48,26	*7,20	17,46	69,29	573,8/131431	680,4	17,27
TL-LH3246	TL-BL1646	50,80	4x6	48,26	*7,20	17,46	84,43	578,3/131431	680,4	21,53
TL-LH3266	TL-BL1666	50,80	6x6	48,26	*7,20	17,46	99,57	857,4/194863	1000,7	25,88
TL-LH3288	TL-BL1688	50,80	8x8	48,26	*7,20	17,46	129,84	1156,5/262841	1364,6	34,29
TL-LH4022	TL-BL2022	63,50	2x2	60,33	9,91	23,81	51,74	433,7/98568	511,7	15,95
TL-LH4023	TL-BL2023	63,50	2x3	60,33	9,91	23,81	61,70	433,7/98568	511,7	19,78
TL-LH4034	TL-BL2034	63,50	3x4	60,33	9,91	23,81	81,61	649,4/147590	766,2	27,46
TL-LH4044	TL-BL2044	63,50	4x4	60,33	9,91	23,81	91,57	867,4/197163	1023,5	31,34
TL-LH4046	TL-BL2046	63,50	4x6	60,33	9,91	23,81	111,48	867,4/197163	1023,5	39,01
TL-LH4066	TL-BL2066	63,50	6x6	60,33	9,91	23,81	131,39	1301,1/295704	1535,2	46,63
TL-LH4088	TL-BL2088	63,50	8x8	60,33	9,91	23,81	171,22	1734,8/394272	2046,5	62,00

* Two versions of plate thickness available: 7,20 mm and 7,52 mm.



Plates lacing

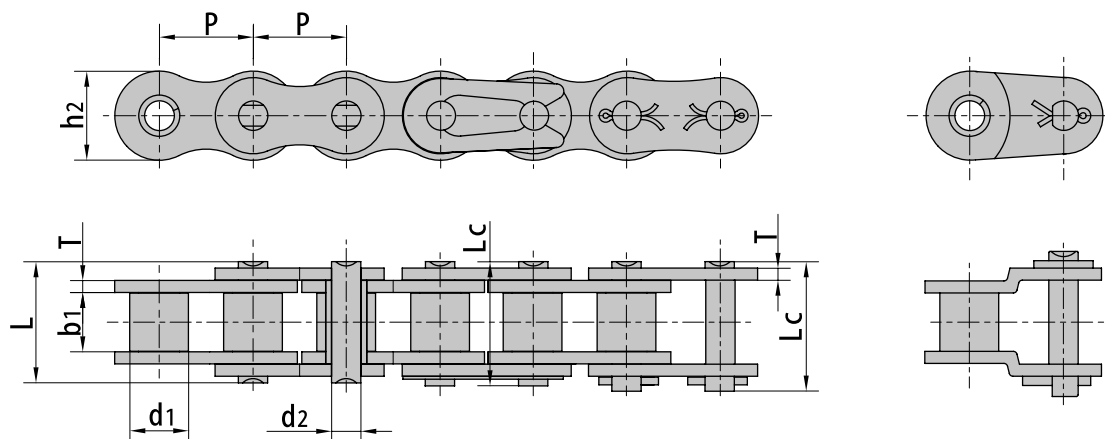


AGRICULTURAL CHAINS

CHAINS FOR TRANSMISSION CASE OF AGRICULTURAL MACHINERY

REFERENCE	PITCH	ROLLER DIAMETER	WIDTH BETWEEN INNER PLATES	PIN DIAMETER	PIN LENGTH		INNER PLATE DEPTH	PLATE THICKNESS	TENSILE STRENGTH	AVERAGE TENSILE STRENGTH	WEIGHT PER METER
	P mm	d1 max mm	b1 min mm	d2 max mm	L max mm	Lc max mm	h2 max mm	T max mm	Q min kN/lbf	Q0 kN	q Kg/m
TL-35HF2	9,525	5,08	4,77	3,58	15,52		9,00	2,03	9,0/2023	9,9	0,52
TL-420T	12,700	7,77	6,25	3,96	14,70		12,00	1,50	18,62/4186	20,5	0,55
TL-520	15,875	10,16	6,25	5,08	17,50		15,09	2,03	29,40/6610	32,3	0,96
TL-520HF2	15,875	10,22	6,25	5,30	19,30		15,30	2,42	35,00/7869	38,5	1,25
TL-520HF3	15,875	10,22	6,25	5,30	19,80		15,30	2,80/2,42	40,00/8993	44,0	1,36
TL-520HF4	15,875	10,16	6,25	5,08	19,30	20,80	15,09	2,42	26,50/5958	29,2	1,10
TL-520HF6	15,875	10,22	6,25	5,30	19,30		15,30	2,42	40,00/8993	44,0	1,25
*TL-P22.225F3-B	22,225	15,60	14,60	9,00	36,30	38,00	23,50	4,80/4,00	75,00/16862	82,5	3,75
*TL-16BF26	25,400	15,88	16,00	10,00	42,50	44,20	26,80	5,60/4,80	80,00/17986	88,0	4,66

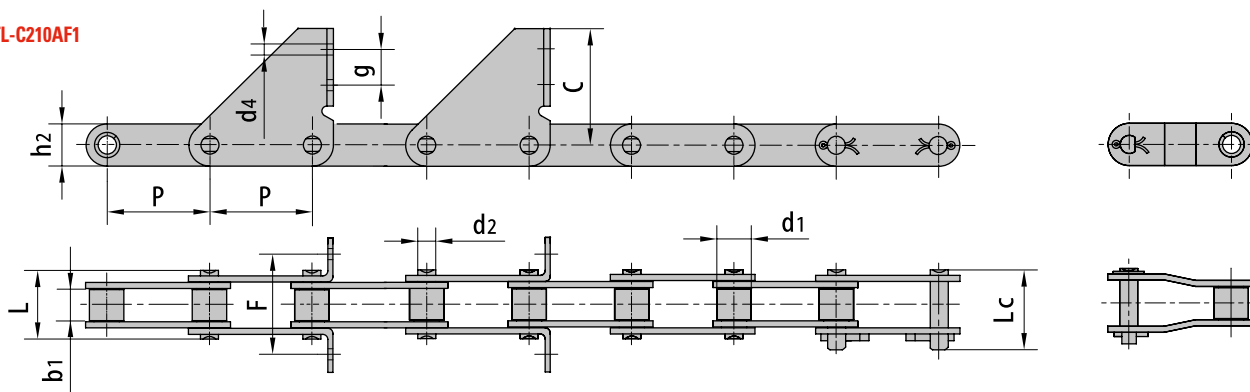
* Bush chain: d1 indicates the outer dia of the bush.



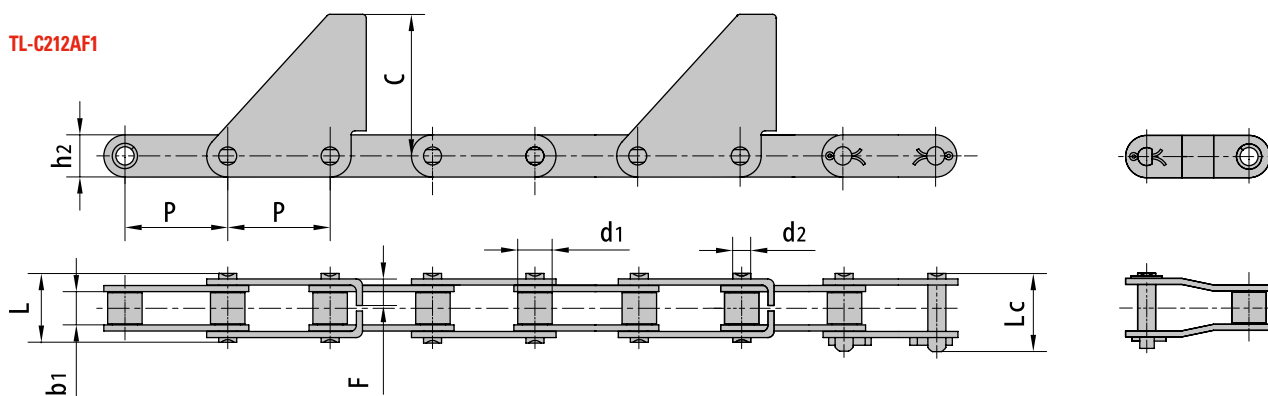
COMBINE CHAINS

REFERENCE	PITCH	ROLLER DIAMETER	WIDTH BETWEEN PLATES	PIN DIAMETER	PIN LENGTH		INNER PLATE DEPTH	ATTACHMENT DIMENSION				TENSILE STRENGTH	AVERAGE TENSILE STRENGTH
	P mm	d1 max mm	b1 min mm	d2 max mm	L max mm	Lc max mm	h2 max mm	F mm	C mm	d4 mm	g mm	Q min kN/lbf	Qo kN
TL-C210AF1	31,75	10,16	9,40	5,08	20,7	23,3	15,0	35,20	54,0	7,0	23,0	21,8/4955	28,5
TL-C212AF1	38,10	11,91	12,57	5,94	25,9	28,3	18,0	10,92	56,0			31,1/7068	38,7

TL-C210AF1



TL-C212AF1



COMBINE CHAINS-REPLACING PARTS

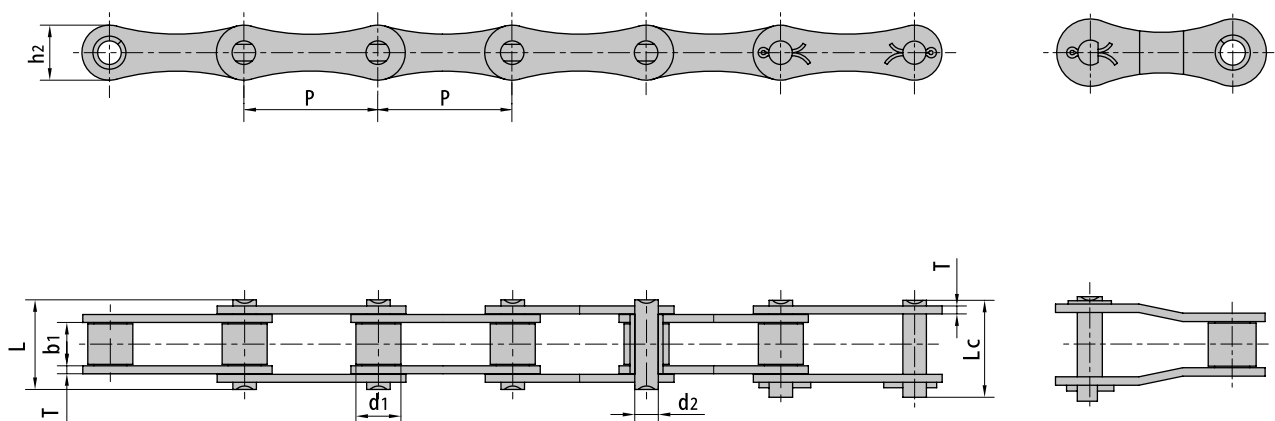
We have a comprehensive program of replacement chains for combines, namely feeder and elevator chains suitable for major brands

in the market. For information, please contact our commercial service.



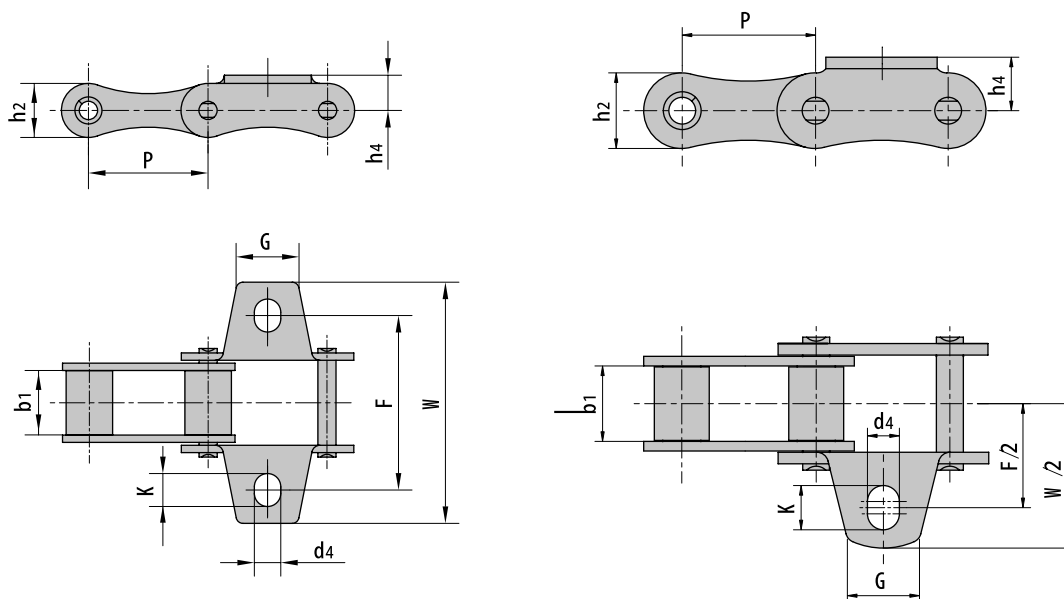
S TYPE STEEL AGRICULTURAL CHAINS

REFERENCE	PITCH	ROLLER DIAMETER	WIDTH BETWEEN INNER PLATES	PIN DIAMETER	PIN LENGTH		INNER PLATE DEPTH	PLATE THICKNESS	TENSILE STRENGTH	AVERAGE TENSILE STRENGTH	WEIGHT PER METER
					L max mm	Lc max mm					
	P mm	d1 max mm	b1 min mm	d2 max mm	L max mm	Lc max mm	h2 max mm	t/T max mm	Q min kN/lbf	Qo kN	q Kg/m
TL-S5V	41,40	17,90	22,23	8,22	39,3	42,4	20,0	3,0	42,00/9546	45,0	2,22
TL-S5VF1	41,40	17,90	22,23	8,22	39,3	42,4	21,4	3,0	45,00/10227	73,1	2,32
TL-S32	29,21	11,43	15,88	4,45	26,7	28,8	13,2	1,8	8,00/1818	21,6	0,86
TL-S32V	29,21	11,43	15,88	5,08	27,3	29,7	13,5	2,1	25,00/5680	27,0	0,96
TL-S42	34,93	14,27	19,05	7,00	34,3	37,0	19,8	2,8	27,00/6136	50,8	1,60
TL-S42F2	34,93	14,27	19,05	7,00	34,3	37,0	19,8	2,5/3,0	27,00/6136	50,8	1,82
TL-S45	41,40	15,24	22,23	5,72	37,7	40,4	17,3	2,8	18,00/4091	36,1	1,66
TL-S45H	41,40	15,24	22,23	7,14	39,5	42,5	17,3	3,0	37,65/8465	41,4	2,10
TL-S51	38,10	15,24	16,00	5,72	30,9	33,8	17,3	2,8	28,00/6364	30,8	1,48
TL-S52	38,10	15,24	22,23	5,72	37,7	40,4	17,3	2,8	18,00/4091	36,1	1,68
TL-S52F10	38,10	14,00	22,00	6,92	36,5	39,1	18,2	2,5	23,50/5283	28,2	1,60
TL-S52L	38,10	15,24	16,40	5,72	30,9	33,8	16,5	2,5	29,20/6636	32,2	1,36
TL-S52LV	38,10	15,88	17,80	6,94	33,8	37,0	16,7	3,0	30,00/6818	32,5	1,58
TL-S55	41,40	17,78	22,23	5,72	37,7	40,4	17,3	2,8	18,00/4091	36,1	1,80
TL-S55R	41,40	17,78	22,23	8,90	41,0	44,0	22,4	3,5	45,00/10227	73,1	2,49
TL-S55RH	41,40	17,78	22,23	8,90	43,2	46,4	22,4	4,0	65,00/14772	84,5	2,74
TL-S55RHF1	41,40	25,00	22,23	8,90	43,2	46,4	22,4	4,0	65,00/14772	84,5	2,74
TL-S62	41,91	19,05	26,20	5,72	40,3	43,0	17,3	2,5	26,70/6067	36,1	1,87
TL-S62F10	41,91	19,05	25,40	5,72	39,4	42,2	17,3	2,5	26,70/6067	36,1	2,04
TL-S62F5	41,91	19,05	26,20	5,72	40,3	43,0	16,7	2,5	26,70/6067	36,1	2,07
TL-S62F8	41,91	19,05	27,90	10,00	44,9	49,3	25,0	3,0	45,00/10227	60,0	2,96
TL-S62R	41,91	19,05	25,80	8,50	41,9	44,6	20,1	2,8	42,00/9546	45,0	2,43
TL-S77	58,34	18,26	22,23	8,90	43,2	46,4	26,2	4,0	45,00/10227	73,1	2,66
TL-S88	66,27	22,86	28,58	8,90	49,8	53,0	26,2	4,0	45,00/10227	73,1	3,25



S TYPE STEEL AGRICULTURAL CHAIN ATTACHMENTS

REFERENCE	P	b ₁	G	F	W	h ₄	d ₄	K	h ₂
	mm	mm	mm	mm	mm	mm	mm	mm	mm
TL-S32K1	29,21	15,88	15,0	42,9	61,0	8,6	5,3	6,9	13,2
TL-S32K1F1	29,21	15,88	15,0	42,9	61,0	8,6	6,5	8,1	13,2
TL-S32K1F3	29,21	15,88	17,0	42,9	49,0	8,6	5,0	6,5	13,2
TL-S32VK1	29,21	15,88	15,0	43,0	61,0	8,6	6,5	8,0	13,5
TL-S42K1	34,93	19,05	17,5	54,0	74,9	14,0	8,3	11,5	19,8
TL-S45K1	41,40	22,23	22,0	54,0	75,0	11,4	8,5	11,7	17,3
TL-S51K1	38,10	16,00	19,0	49,8	71,5	11,4	8,3	9,9	17,3
TL-S52K1	38,10	22,23	19,0	58,8	78,0	11,4	8,3	9,9	17,3
TL-S52K1F1	38,10	22,23	19,0	58,8	78,0	11,4	6,6	8,2	17,3
TL-S55K1	41,40	22,23	22,0	54,0	75,0	11,4	8,5	11,7	17,3
TL-S55K1F1	41,40	22,23	22,0	54,0	75,0	11,4	6,5	9,5	17,3
TL-S55HK1	41,40	22,23	34,0	52,7	82,0	13,4	8,4	11,4	20,4
TL-S55H(T)K1	41,40	22,23	34,0	51,2	81,4	13,4	8,4	11,4	20,4
TL-S55HF5	41,40	22,23	38,0	57,0	95,0	14,0	8,5	11,2	22,0
TL-S55RK1F1	41,40	22,23	25,0	63,6	90,4	16,0	8,6	12,0	22,4
TL-S62K1	41,91	26,20	22,0	66,8	95,4	11,4	8,3	14,7	17,3
TL-S62A2K1	41,91	26,20	22,0	66,7	95,5	12,6	8,3	14,7	17,3
TL-S62F2K1	41,91	26,20	22,0	66,8	95,4	11,4	6,5	13,0	17,3
TL-S62F5A2K1	41,91	26,20	22,0	66,7	95,5	12,6	8,3	14,7	16,7
TL-S77K1	58,34	22,23	25,0	76,2	102,0	20,8	8,3	11,5	26,2
TL-S88K1	66,27	28,58	22,0	97,0	119,4	20,8	8,3	9,9	26,2
TL-S51HF1K1	38,10	16,00	34,0	52,4	84,5	13,0	8,3	9,9	21,0
TL-S88F2K1	66,27	28,58	22,0	97,0	119,4	20,8	8,3	9,9	26,2
TL-S42A1F2	34,93	19,05	23,6	54,0	75,0	14,0	6,9	10,1	19,8
TL-S42F2A1	34,93	19,05	17,5	54,0	75,0	14,0	8,3	11,5	19,8
TL-S88F3K1	66,27	28,58	30,0	97,7	120,0	20,5	8,3	9,9	26,2
TL-S62F12K1	41,91	25,40	22,0	65,9	94,7	12,6	8,3	14,7	16,7

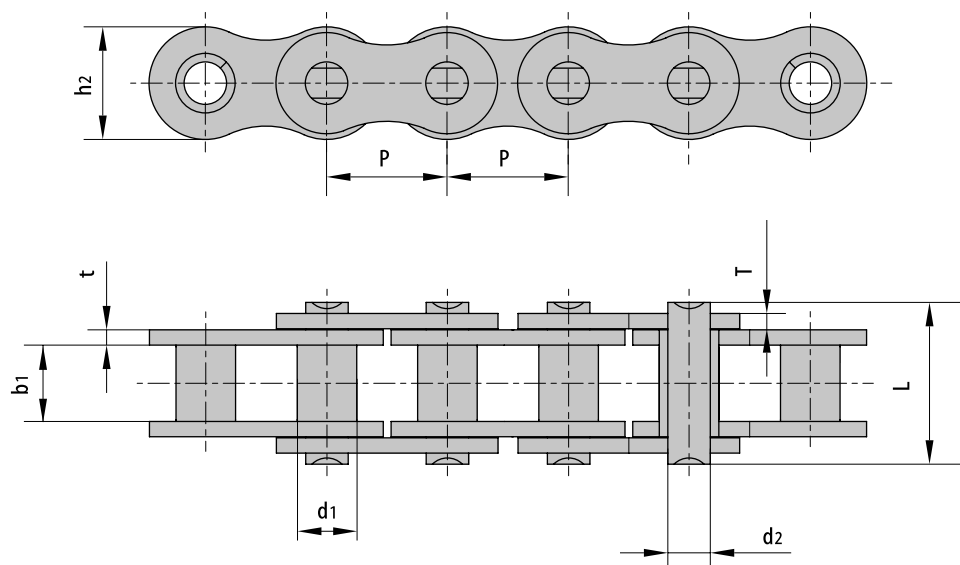


AUTOMOTIVE CHAINS

MOTORCYCLE CHAINS

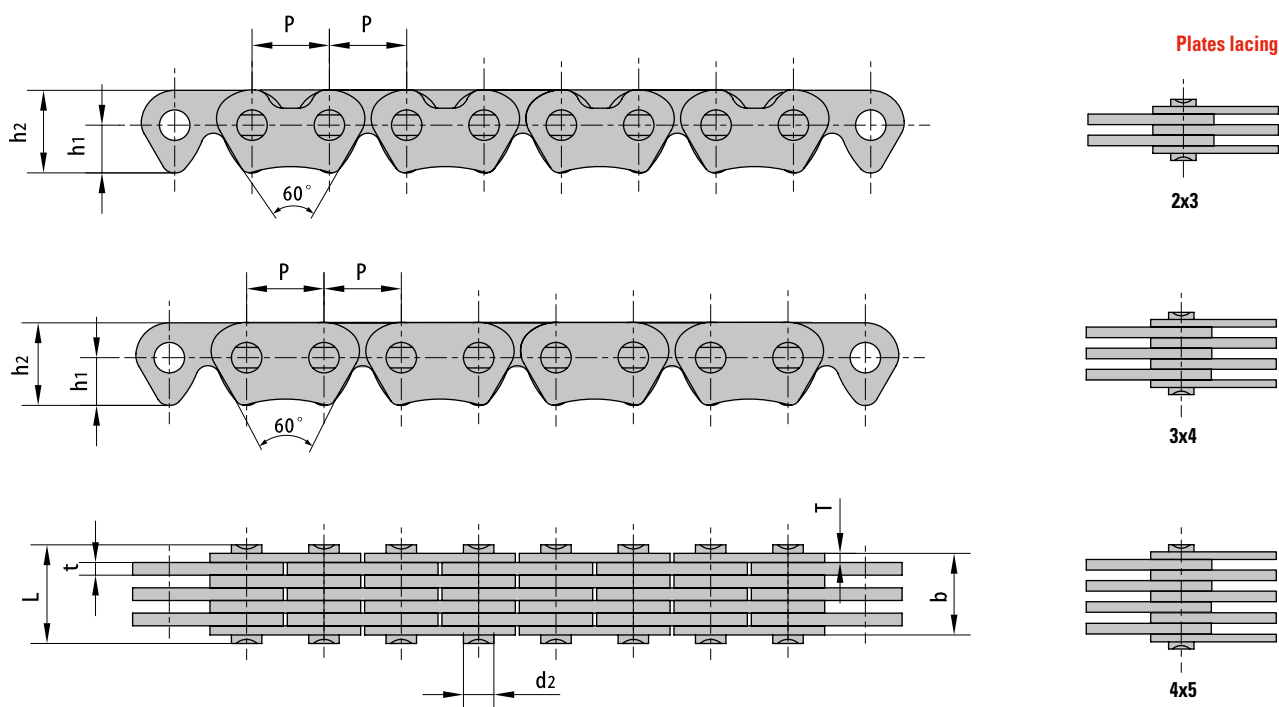
ISO NO.	REFERENCE	PITCH	BUSH DIAMETER	WIDTH BETWEEN PLATES	PIN DIAMETER	PIN LENGTH	INNER PLATE DEPTH	PLATE THICKNESS	TENSILE STRENGTH	AVERAGE TENSILE STRENGTH	WEIGHT PER METER
		P mm	d1 max mm	b1 min mm	d2 max mm	L max mm	h2 max mm	t/T mm	Q min kN/lbf	Q0 kN	q Kg/m
	TL-25	6,350	3,30	3,18	2,31	7,90	6,00	0,80	3,5/795	4,6	0,15
25H	TL-25H	6,350	3,30	3,18	2,31	8,90	6,00	1,04	4,8/1091	5,5	0,17
	TL-25H-E	6,350	3,30	3,18	2,31	8,90	6,00	1,04	5,8/1304	6,4	0,18
	TL-25HF2	6,350	3,30	3,18	2,31	9,10	5,80	1,20/1,10	5,8/1304	6,4	0,19
	TL-25SHF1	6,350	3,30	3,18	2,01	8,95	5,90	1,04	4,8/1091	5,5	0,19
219H	TL-219H	7,774	4,59	5,00	3,01	11,90	7,40	1,20/1,04	7,3/1641	8,0	0,28
	TL-*C219H	7,774	4,59	5,00	3,01	11,90	7,40	1,20/1,04	7,3/1641	8,0	0,33
	TL-219HT	7,774	4,59	4,60	3,01	12,15	7,55	1,40/1,30	6,6/1483	7,2	0,33
	TL-219HF2	7,774	4,59	4,50	3,01	11,90	7,40	1,40/1,30	6,6/1483	7,2	0,31
	TL-219HF1	7,785	4,60	4,50	3,28	13,00	7,00	2,00/1,40	9,0/2024	9,8	0,37
270	TL-270H	8,500	5,00	4,75	3,28	13,15	8,45	1,80/1,40	10,8/2428	11,9	0,43

* Straight side plates.



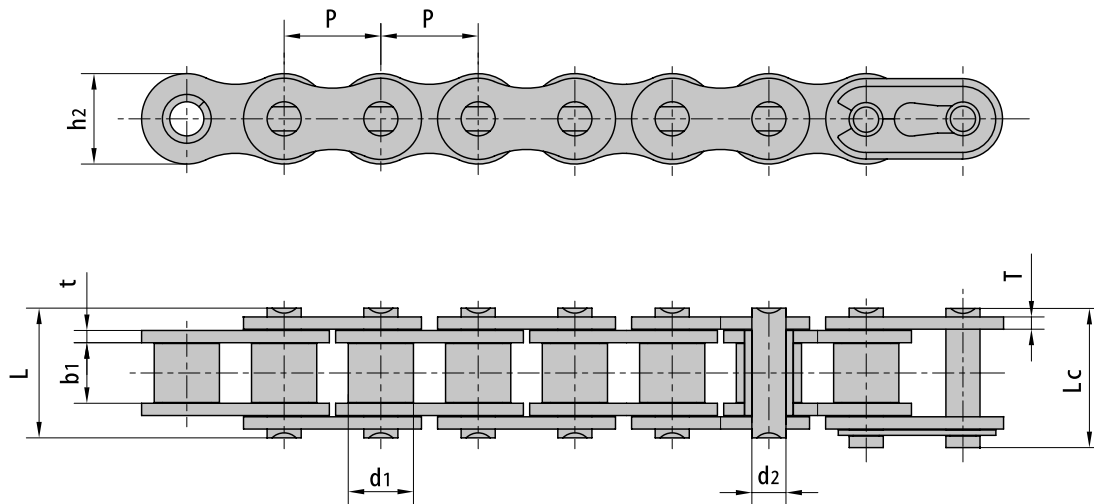
MOTORCYCLE CHAINS

REFERENCE	PITCH	CHAIN WIDTH	PIN DIAMETER	PIN LENGTH	DISTANCE FROM HOLE CENTER TO TOOTH	PLATE DEPTH	PLATE THICKNESS	GUIDE TYPE	NUMBER OF PLATES	TENSILE STRENGTH	AVERAGE TENSILE STRENGTH	WEIGHT PER METER
	P mm	b max mm	d2 min mm	L max mm	h1 mm	h2 max mm	t/T max mm		Number	Q min kN/lbf	Qo kN	q Kg/m
TL-CL04-2x3	6,35	4,35	2,50	6,05	3,94	6,80	1,04/0,75	Outside	5(2x3)	5,19/1179	5,4	0,22
TL-CL04-3x4	6,35	6,35	2,50	8,20	3,90	6,72	1,04/0,75	Outside	7(3x4)	8,82/2004	9,2	0,28
TL-CL04-4x5	6,35	9,40	2,50	10,90	3,90	6,72	1,04	Outside	9(4x5)	11,76/2672	12,3	0,35

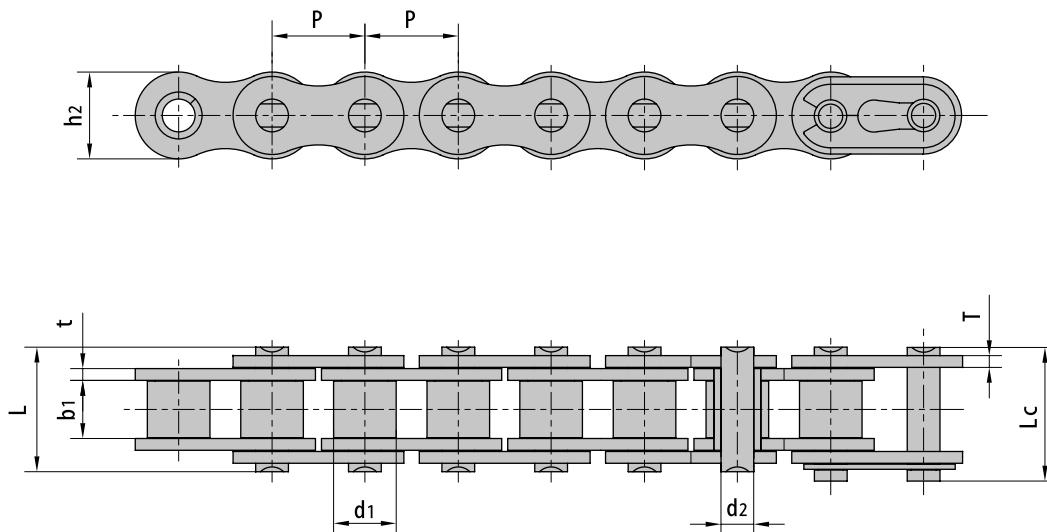


ISO NO.	REFERENCE	PITCH	ROLLER DIAMETER	WIDTH BETWEEN INNER PLATES	PIN DIAMETER	PIN LENGTH		INNER PLATE DEPTH	PLATE THICKNESS	TENSILE STRENGTH	AVERAGE TENSILE STRENGTH	WEIGHT PER METER
		P mm	d1 max mm	b1 min mm	d2 max mm	L max mm	Lc max mm	h2 max mm	t/T max mm	Q min kN/lbf	Qo kN	q Kg/m
	TL-*T3F	9,525	6,00	9,50	4,50	18,60	20,00	9,30	1,85/1,50	11,80/2653	13,6	0,61
420	TL-420	12,700	7,77	6,25	3,96	14,70	16,10	12,00	1,50	16,00/3597	17,6	0,55
	TL-420F3	12,700	7,77	6,40	3,97	15,00	16,60	11,80	1,60/1,45	16,00/3597	17,6	0,64
	TL-420HF1	12,700	7,77	6,25	3,96	17,00	18,40	12,00	2,03	16,00/3597	17,6	0,76
	TL-420HT	12,700	7,77	6,25	3,96	17,00		12,00	2,03	21,40/4811	23,5	0,76
428	TL-428	12,700	8,51	7,75	4,45	16,70	18,20	11,80	1,60	17,80/4002	19,6	0,70
	TL-428F1	12,700	8,51	7,94	4,50	16,70	18,05	11,80	1,60	17,15/3855	19,4	0,71
	TL-428DS	12,700	8,51	7,94	4,45	17,90	19,30	12,00	1,85	18,62/4186	21,0	0,76
428MH	TL-428H	12,700	8,51	7,85	4,45	18,80	19,90	11,80	2,03	20,60/4631	23,4	0,79
	TL-428HF1	12,700	8,51	7,85	4,45	17,90	19,00	11,80	1,80	19,50/4384	20,7	0,74
	TL-428HSH	12,700	8,51	7,75	4,45	20,00		12,00	2,42	27,00/6070	29,4	0,89
	TL-428HF4	12,700	8,51	7,94	4,50	18,90	20,10	11,80	2,03	20,50/4609	23,4	0,82
	TL-428HD	12,700	8,51	7,85	4,45	18,80	19,90	11,80	2,03	20,60/4631	23,4	0,85
	TL-428F3	12,700	8,51	7,85	4,45	16,70	18,20	11,70	1,60	17,80/4002	19,6	0,77
	TL-428F4	12,700	8,51	7,85	4,45	16,70	18,20	11,80	1,60	17,80/4002	19,6	0,72

* Bush chain: d1 in the table indicates the external diameter of the bush.

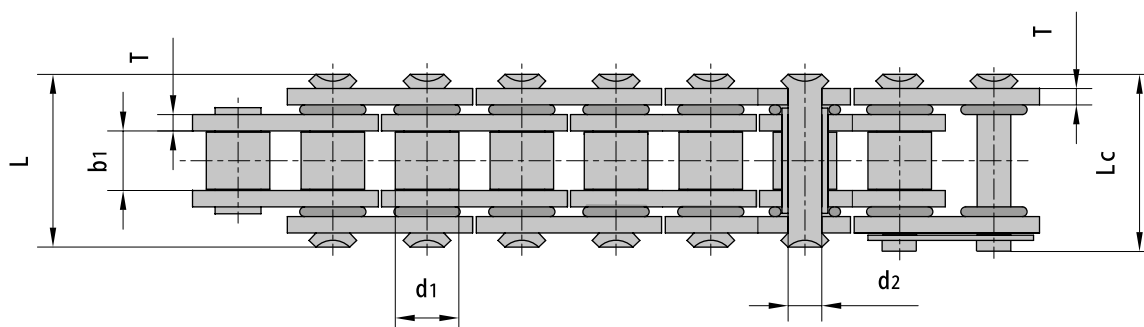
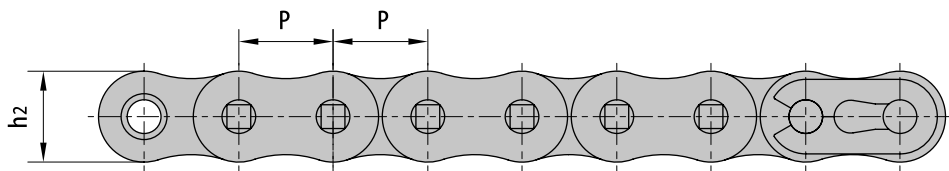


ISO NO.	REFERENCE	PITCH	ROLLER DIAMETER	WIDTH BETWEEN INNER PLATES	PIN DIAMETER	PIN LENGTH		INNER PLATE DEPTH	PLATE THICKNESS	TENSILE STRENGTH	AVERAGE TENSILE STRENGTH	WEIGHT PER METER
						L max mm	Lc max mm					
		P mm	d1 max mm	b1 min mm	d2 max mm	L max mm	Lc max mm	h2 max mm	t/T max mm	Q min kN/lbf	Qo kN	q Kg/m
520	TL-520	15,875	10,16	6,25	5,08	17,50	19,00	15,09	2,03	26,50/5957	29,7	0,89
	TL-520F2	15,875	10,16	6,35	5,24	17,50	19,05	15,09	2,03	26,50/5957	29,7	0,97
	TL-520F3	15,875	10,16	6,48	5,08	17,50	19,00	15,09	2,03	26,50/5957	29,7	0,89
520MH	TL-520MH	15,875	10,22	6,25	5,25	19,00	21,20	15,30	2,20	30,50/6857	33,6	
	TL-520HD	15,875	10,16	6,35	5,34	18,60	20,00	15,09	2,20	35,00/7868	38,5	1,04
525	TL-525	15,875	10,16	7,95	5,08	19,30	20,70	15,09	2,03	26,50/5957	29,7	1,06
525MH	TL-525MH	15,875	10,22	7,85	5,25	21,20	23,20	15,30	2,20	30,50/6857	33,6	
	TL-525HF1	15,875	10,16	7,95	5,08	20,90	22,30	15,09	2,42	26,50/5957	29,7	1,20
530	TL-530	15,875	10,16	9,40	5,08	20,70	22,20	15,09	2,03	26,50/5957	29,7	1,06
	TL-530SH	15,875	10,16	9,40	5,08	22,10		15,09	2,42	32,80/7374	33,5	1,24
	TL-520F12	15,875	10,16	6,25	5,25	17,60		15,00	2,03	29,43/6615	32,3	0,98
	TL-520HF7	15,875	10,22	7,80	5,30	21,35		15,30	2,80/2,42	40,00/8992	44,0	1,43
630	TL-630	19,050	11,91	9,40	5,94	23,00	24,80	18,00	2,42	35,30/7936	38,8	



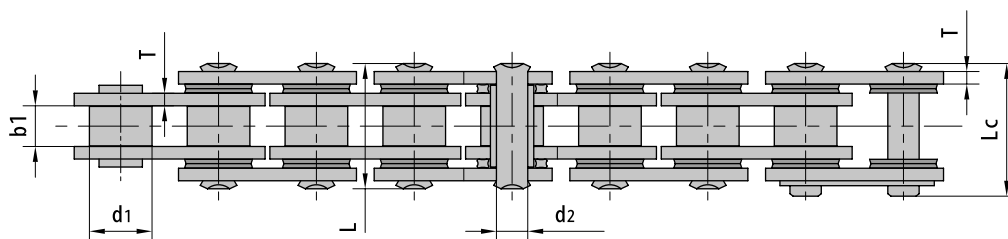
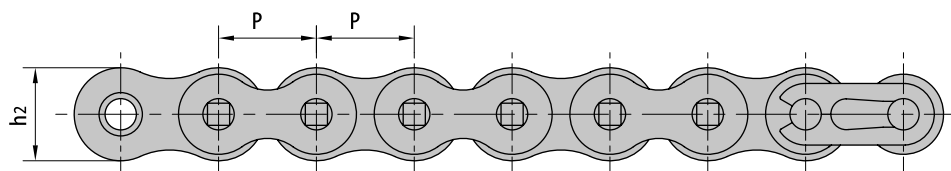
O-RING MOTORCYCLE CHAINS

REFERENCE	PITCH	ROLLER DIAMETER	WIDTH BETWEEN INNER PLATES	PIN DIAMETER	PIN LENGTH		INNER PLATE DEPTH	PLATE THICKNESS	TENSILE STRENGTH	AVERAGE TENSILE STRENGTH	WEIGHT PER METER
					L max mm	Lc max mm					
TL-420OR	12,700	7,77	6,25	3,96	16,65	17,95	12,00	1,50	16,0/3599	17,00	0,62
TL-420HOR	12,700	7,77	6,25	3,96	18,80	20,10	12,00	2,03	16,0/3599	17,00	0,74
TL-428HVS	12,700	8,51	7,94	4,45	21,70	22,70	12,30	2,03	22,0/4946	23,00	0,85
TL-50LD	15,875	10,16	9,53	5,08	23,40	24,60	15,09	2,03	22,2/5045	26,50	1,12
TL-520OR	15,875	10,16	6,70	5,30	21,20	22,30	15,09	2,20	32,0/7200	34,00	1,11
TL-520F1OR	15,875	10,16	6,25	5,30	21,20	22,30	15,09	2,20	32,0/7200	34,00	1,09
TL-520F2OR	15,875	10,16	9,65	5,30	24,10	25,50	15,09	2,20	32,0/7200	34,00	1,21
TL-520V6	15,875	10,16	6,25	5,08	19,80	21,30	15,09	2,03	22,2/5045	26,50	0,96
TL-520HOR	15,875	10,16	6,25	5,24	21,52	22,92	15,09	2,42	26,5/6022	29,60	1,26
TL-525OR	15,875	10,16	7,95	5,30	21,50	22,90	15,09	2,03	26,5/6022	29,60	1,30
TL-525F1OR	15,875	10,16	7,95	5,30	23,10	24,00	15,09	2,20	32,0/7200	34,00	1,16
TL-520F14OR	15,875	10,20	6,25	5,09	19,90		14,90	1,80	28,4/6391	30,60	0,92
TL-525HOR	15,875	10,16	7,95	5,30	23,10	24,50	15,09	2,42	26,5/6022	29,60	1,44
TL-530HOR	15,875	10,16	9,53	5,24	24,80	26,20	15,09	2,42	29,0/6524	30,00	1,39
TL-630F1OR	19,050	11,91	9,53	5,94	25,50	27,30	18,00	2,42	31,8/7149	35,00	1,50



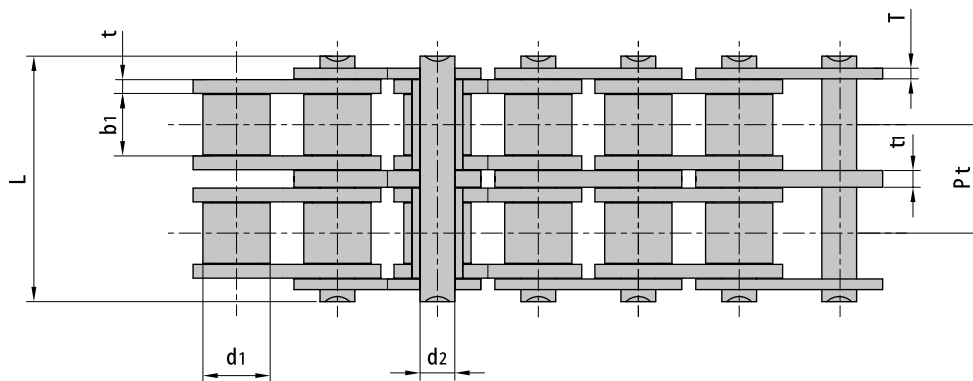
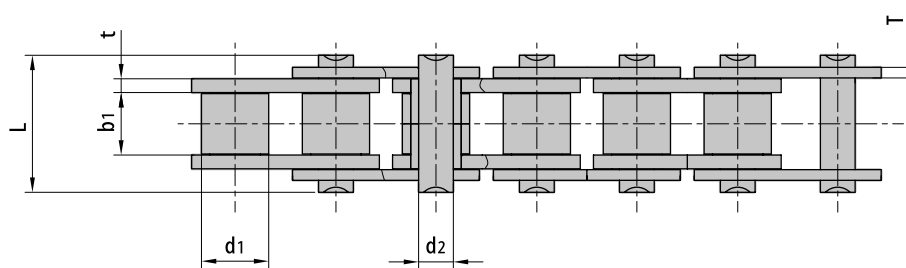
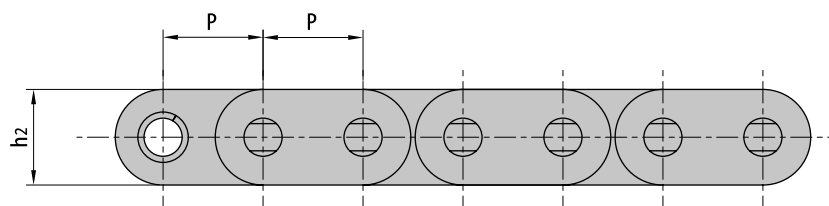
X-RING MOTORCYCLE CHAINS

REFERENCE	PITCH	ROLLER DIAMETER	WIDTH BETWEEN INNER PLATES	PIN DIAMETER	PIN LENGTH		INNER PLATE DEPTH	PLATE THICKNESS	TENSILE STRENGTH	AVERAGE TENSILE STRENGTH	WEIGHT PER METER
	P mm	d1 max mm	b1 min mm	d2 max mm	L max mm	Lc max mm	h2 max mm	T max mm	Q min kN/lbf	Qo kN	q Kg/m
TL-520XR	15,875	10,20	6,25	5,09	20,10	21,10	15,09	2,03	28,00/6294	29,4	1,00
TL-520F9XR	15,875	10,30	6,25	5,39	20,10		15,00	2,03	33,83/7605	35,5	1,00
TL-520HXR	15,875	10,16	6,25	5,24	21,52	22,92	15,09	2,42	30,00/6744	31,5	1,28
TL-525XR	15,875	10,20	7,85	5,09	21,70	22,70	15,09	2,03	26,50/5957	27,8	1,07
TL-525HXR	15,875	10,16	7,95	5,30	23,10	24,50	15,09	2,42	26,50/5957	27,8	1,44
TL-525SHXR	15,875	10,30	7,85	5,39	23,26		15,00	2,42	38,25/8599	40,2	1,20
TL-530HXR	15,875	10,16	9,53	5,24	24,80	26,20	15,09	2,42	29,00/6519	30,5	1,39
TL-530SHXR	15,875	10,30	9,40	5,39	24,91		15,00	2,42	38,25/8599	40,2	1,27



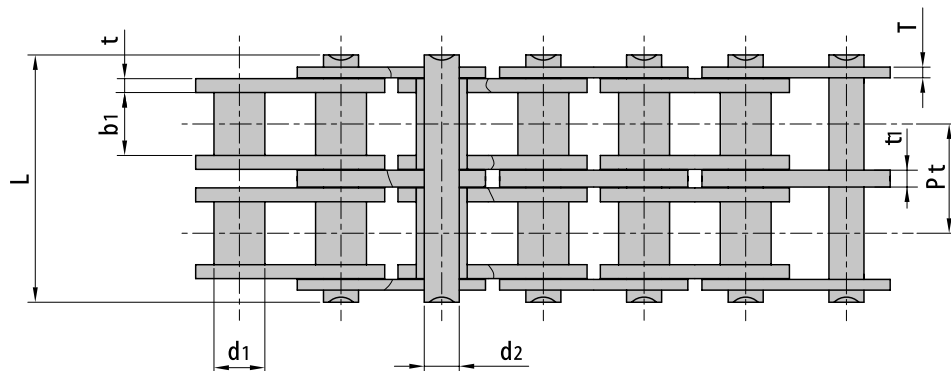
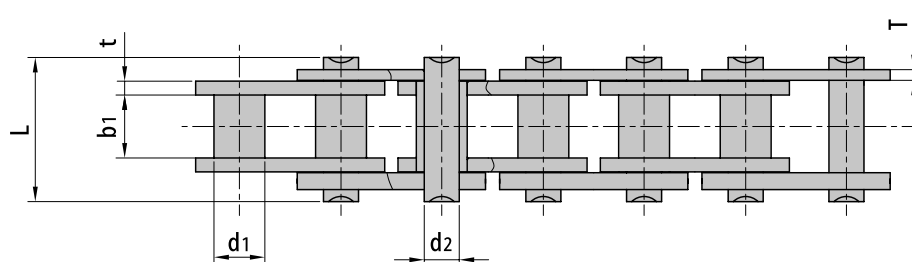
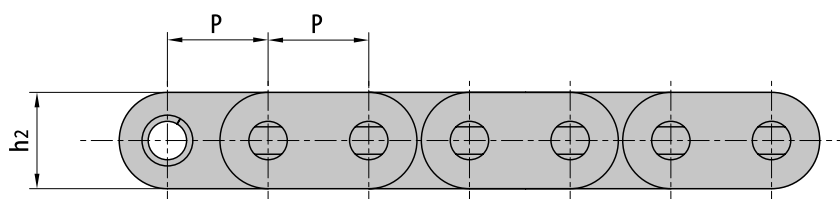
TIMING ROLLER CHAINS FOR AUTOMOBILE ENGINE

REFERENCE	PITCH	ROLLER DIAMETER	WIDTH BETWEEN INNER PLATES	PIN DIAMETER	PIN LENGTH	INNER PLATE DEPTH	PLATE THICKNESS		TRANSVERSE PITCH	TENSILE STRENGTH	WEIGHT PER METER
	P mm	d1 max mm	b1 min mm	d2 max mm	L max mm	h2 max mm	t/t1 max mm	T max mm	Pt mm	Q min kN/lbf	q Kg/m
TL-05BT	8,000	5,65	4,60	3,05	12,15	7,65	1,3	1,20		5,8/1912	0,41
TL-06BT	9,525	6,35	5,75	3,28	12,50	8,20	1,3	1,04		9,0/2025	0,38
TL-06BT-2	9,525	6,35	5,75	3,28	22,90	1,3/1,6	1,04	10,24	16,9/3802	0,67	
TL-06BTH-2	9,525	6,35	5,72	3,28	25,10	8,20	1,6	1,20	11,40	17,8/4005	0,86



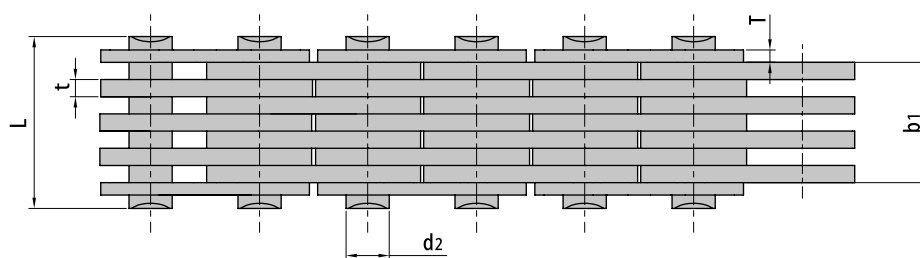
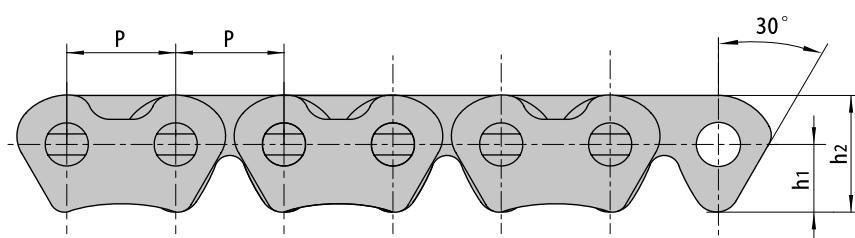
TIMING BUSH CHAINS FOR AUTOMOBILE ENGINE

REFERENCE	PITCH	BUSCH DIAMETER	WIDTH BETWEEN INNER PLATES	PIN DIAMETER	PIN LENGTH	INNER PLATE DEPTH	PLATE THICKNESS		TRANSVERSE PITCH	TENSILE STRENGTH	WEIGHT PER METER
	P mm	d1 max mm	b1 min mm	d2 max mm	L max mm	h2 max mm	t/t1 max mm	T max mm	Pt mm	Q min kN/lbf	q Kg/m
TL-P7	7,000	4,00	3,50	2,70	9,60	6,8	1,15	1,00		6,9/1551	0,31
TL-P7F1	7,000	4,00	3,40	2,70	9,80	6,8	1,20	1,20		6,9/1551	0,33
TL-05C	8,000	5,00	4,76	3,15	11,80	7,6	1,30	1,00		8,5/1932	0,35
TL-06D	9,525	6,35	3,80	4,45	10,70	9,6	1,35	1,04		9,0/2024	0,41
TL-06DTF1	9,525	6,35	5,72	4,45	14,25	9,6	1,80	1,30		14,5/3259	0,57
TL-06DTF2	9,525	6,35	5,72	4,45	14,55	9,6	1,75	1,40		14,5/3259	0,60
TL-06DF2-2	9,525	6,35	3,80	4,46	18,80	9,6	1,35/1,40	1,04	8,30	16,2/3641	0,76
TL-06DF3-2	9,525	6,35	4,40	4,46	21,70	9,6	1,50	1,30	9,70	18,7/4203	0,86



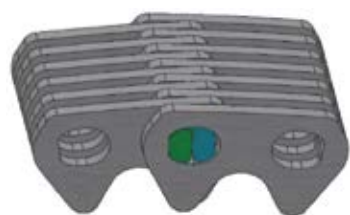
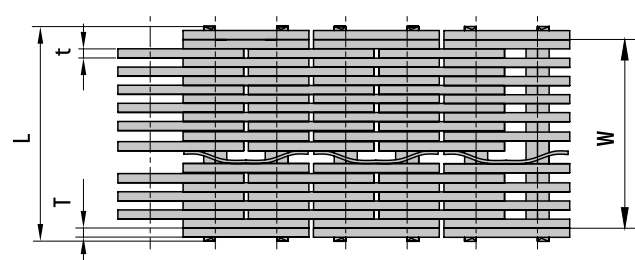
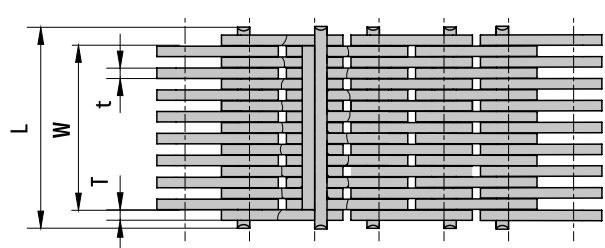
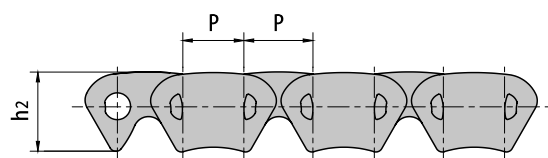
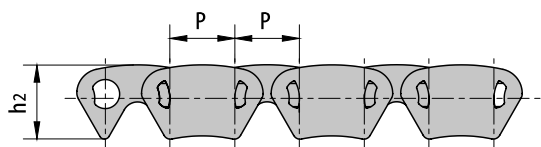
TIMING SILENT CHAINS FOR AUTOMOBILE ENGINE

REFERENCE	PITCH	CHAIN WIDTH	PIN DIAMETER	PIN LENGTH	PLATE DEPTH	PLATE THICKNESS		GUIDE FORM	NUMBER OF PLATES	TENSILE STRENGTH	WEIGHT PER METER
	P mm					t max mm	T max mm				
TL-CL04DF3	6,35	7,80	2,70	11,20	7,13	1,04/1,40	1,04	Outside	8(4x4)	10,0/2250	0,38
TL-CL04DF3	6,35	8,86	2,70	12,30	7,13	1,04/1,40	1,04	Outside	9(4x5)	12,5/2813	0,41
TL-CL04DF10	6,35	8,60	2,72	12,70	7,13	1,20	1,20	Outside	9(5x4)	12,0/2700	0,41
TL-CL05D	8,00	6,50	2,92	10,48	9,59	1,30	1,04	Outside	7(3x4)	12,0/2700	0,46
TL-CL05D	8,00	7,80	2,92	11,78	9,59	1,30	1,04	Outside	8(4x4)	16,0/3600	0,52
TL-CL05V	8,00	7,70	3,15	11,80	9,59	1,30	1,00	Outside	8(4x4)	12,0/2700	0,48



ROCKER JOINT TYPE SILENT CHAINS

REFERENCE	PITCH	WIDTH BETWEEN PLATES	PIN LENGTH	PLATE DEPTH	PLATE THICKNESS		GUIDE FORM	NUMBER OF PLATES	TENSILE STRENGTH	WEIGHT PER METER
	P mm	W mm	L max mm	h2 max mm	t mm	T mm			Q min kN/lbf	q Kg/m
TL-HV3F3	9,525	18,24	22,20	10,90	1,54	1,54	Outside	13(6x7)	36,0/8093	1,16
TL-HV3F3	9,525	31,70	36,50	10,90	1,54	1,54	Outside	21(10x11)	45,0/10116	1,79
TL-HV3F4	9,525	20,30	25,90	10,90	1,54	1,54	Outside	15(7x8)	31,0/6969	1,29
TL-HV3F4	9,525	24,58	29,80	11,90	1,54	1,54	Outside	17(8x9)	48,0/10790	1,60
TL-HV3,5	11,113	24,80	30,00	14,27	1,54	1,20	Outside	17(8x9)	58,0/13038	2,13
TL-HV3,5	11,113	28,00	32,70	14,27	1,54	1,20	Outside	19(9x10)	65,0/14612	2,38
TL-HV3,5	11,113	31,20	36,00	14,27	1,54	1,20	Outside	21(10x11)	72,0/16186	2,53
TL-SC180	11,113	31,40	36,33	13,52	1,55	1,55	Outside	21(9x12)	72,0/16186	2,37
TL-SC180	11,113	37,80	42,72	13,52	1,55	1,55	Outside	25(11x14)	88,0/19782	2,88
TL-SC180	11,113	40,90	46,60	13,52	1,55	1,55	Outside	27(12x15)	96,0/21581	1,09
TL-HV4F1-10X11W	12,700	32,90	38,20	14,50	1,54	1,54	Outside	21(10x11)	47,3/10633	2,20
TL-HV4F1-16X17N	12,700	52,40	57,00	14,50	1,54	2,00	Inside	33(16x17)	86,0/19333	3,50
TL-HV6	19,050	72,30	81,30	20,89	2,00	2,00	Outside	35(17x18)	174,0/39115	7,40
TL-HV6	19,050	101,90	108,90	20,89	2,00	2,00	Inside	49(24x25)	174,0/39115	10,12
TL-HV6D	19,050	38,50	50,30	27,00	2,00	2,00	Outside	21(10x11)	104,0/23379	4,52
TL-HV8	25,400	140,30	158,80	27,74	3,10	3,10	Outside	47(23x24)	534,0/120043	20,46
TL-HV8D	25,400	102,00	110,00	36,00	3,00	3,00	Inside	34(16x18)	385,0/86548	14,40



DRAG CHAINS

This range comprehends different types of chains of wide use in handling applications of the industry. The models we present are of different materials as steel casting, ductile casting, drop forging, different manufacturing process as welded chains, rivet less chains, detachable chains, different heat treatments and a wide choice of attachments to make up nearly every configuration a customer may need in the field of handling operations. An MTO service for those special applications not standardized it is also possible.

Our drag chains program is composed of:

- Double flex chains
- Block chains
- Scraper chains
- Drop forged scraper chain
- Drop forged rivetless chain
- Trolley
- Pusher dog
- Sugar industry chains: Main Cane & Auxiliar carrier chains.
- Diffuser chains
- Casting chains
- Detachable chains
- Welded chains

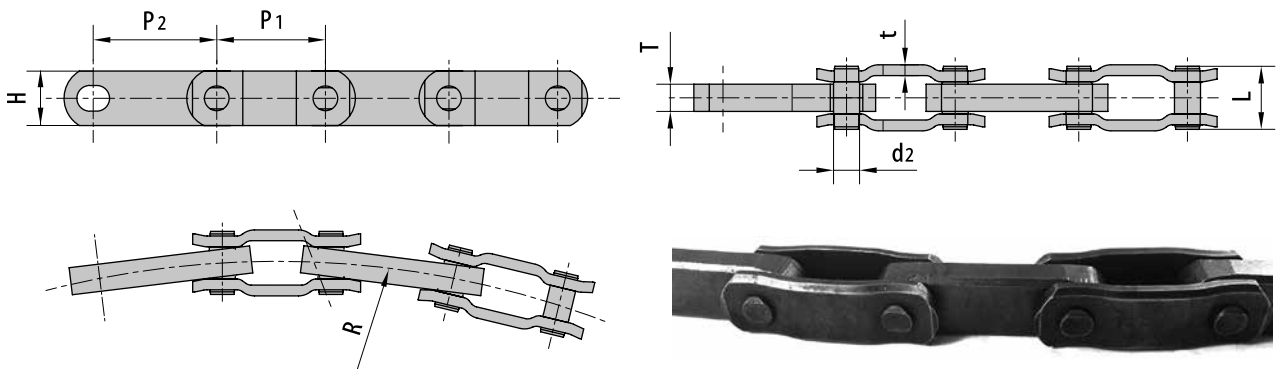
DOUBLE FLEX CHAIN

The steel TL-3500 model it may operate in both directions which combined with the ability to flex in two planes it makes it very useful in handling applications. The block link is beveled to protect weak conveyed units. The curved side-plate profiles shield and protect

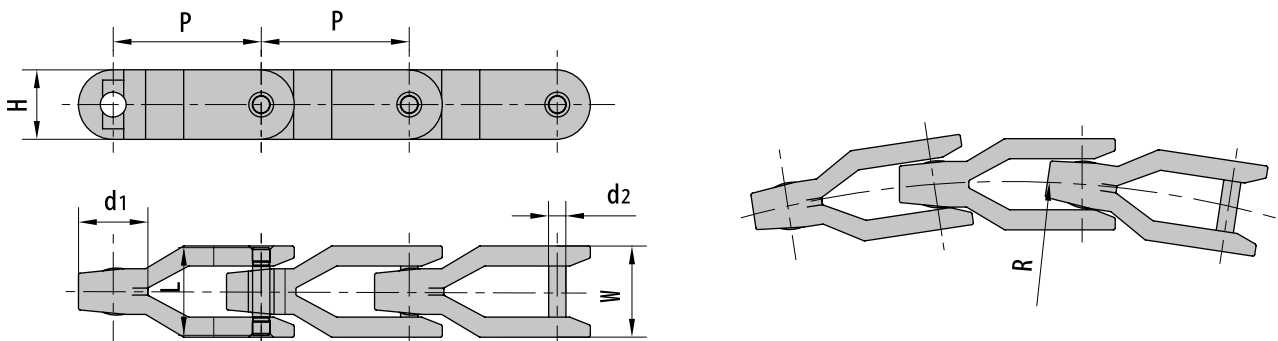
the rivet ends. Allows a side bow radius of of 500 mm (20").

The Cast TL-CC1400 model has as well an ability to flex in two planes allowing a side bow radius of 500 mm (20").

REFERENCE	PITCH		INNER PLATE THICKNESS T mm	PIN DIAMETER d2 max mm	PIN LENGTH L max mm	PLATE DIMENSION		SIDE BOW RADIUS R min mm	TENSILE STRENGTH Q min kN/lbf	AVERAGE TENSILE STRENGTH Q0 min kN/lbf	WEIGHT PER METER q Kg/m
	P1 mm	P2 mm				H max mm	t mm				
TL-3500	63,5	76,2	15,9	14,27	37,0	32,0	6,3	508,0	160,0/36363	196,0	5,14



REFERENCE	PITCH P mm	PIN DIAMETER d2 max mm	PIN LENGTH L mm	PLATE DIMENSION			SIDE BOW RADIUS R min mm	TENSILE STRENGTH Q min kN/lbf	WEIGHT PER METER q Kg/m
				H max mm	W max mm	d1 mm			
TL-CC1400	81,3	9,5	48,0	38,5	50	38	500	30,0/6818	1,99

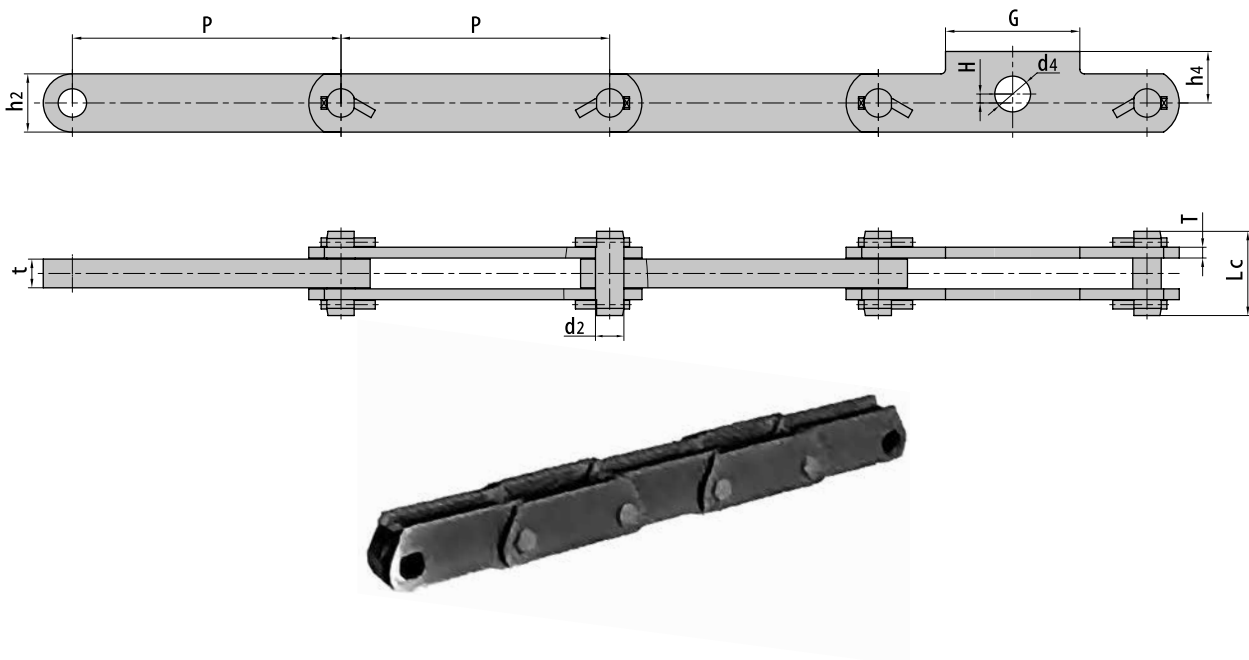


BLOCK CHAINS

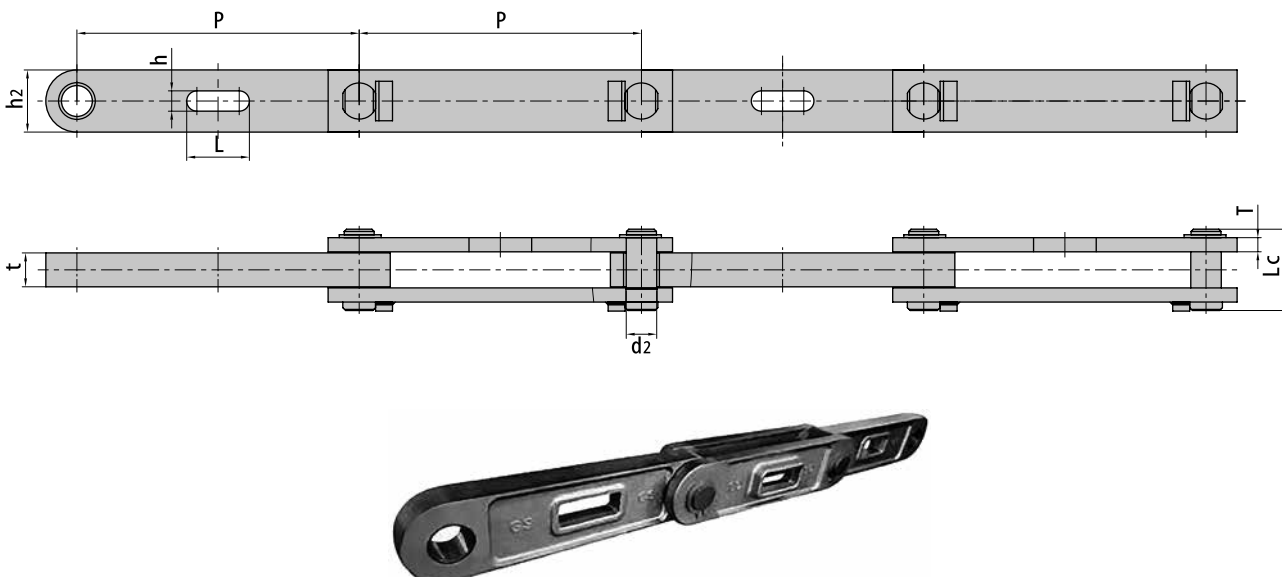
Used mainly in the steel industry in conveying steel bars, tubes for cooling or pushing billets and slabs in steel plants. Used as well in the vertical conveyance of arids.

This type of chain consists of a solid center link, the block sandwiched between outer link plates held by high strength steel pins. The design as described has a high carrying area.

REFERENCE	PITCH	PIN DIAMETER	PIN LENGTH	INNER PLATE DEPTH	PLATE THICKNESS	PIN LENGTH				TENSILE STRENGTH	WEIGHT PER METER
Chain No.	P mm	d2 max mm	Lc max mm	h2 max mm	t/T max mm	G mm	H mm	h4 mm	d4 mm	Q min kN/lbf	q Kg/m
TL-BC300F2	300,0	31,75	94,0	65,0	32,0/12,0	150,0	10,0	57,5	40,0	699,0/157141	18,20

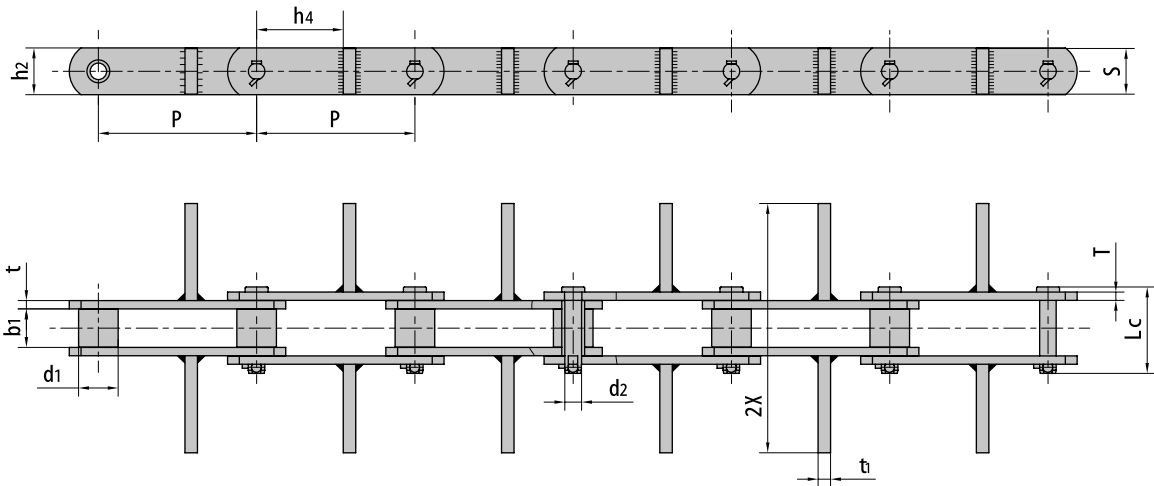


REFERENCE	PITCH	PIN DIAMETER	PIN LENGTH	INNER PLATE DEPTH	PLATE THICKNESS	ATTACHMENT DIMENSION		TENSILE STRENGTH	WEIGHT PER METER
Chain No.	P mm	d2 max mm	Lc max mm	h2 max mm	t/T max mm	h mm	L mm	Q min kN/lbf	q Kg/m
TL-BC500F2	500	54,00	144,0	110,0	60,0/25,0	150,0	10,0	2160,0/485587	55,90

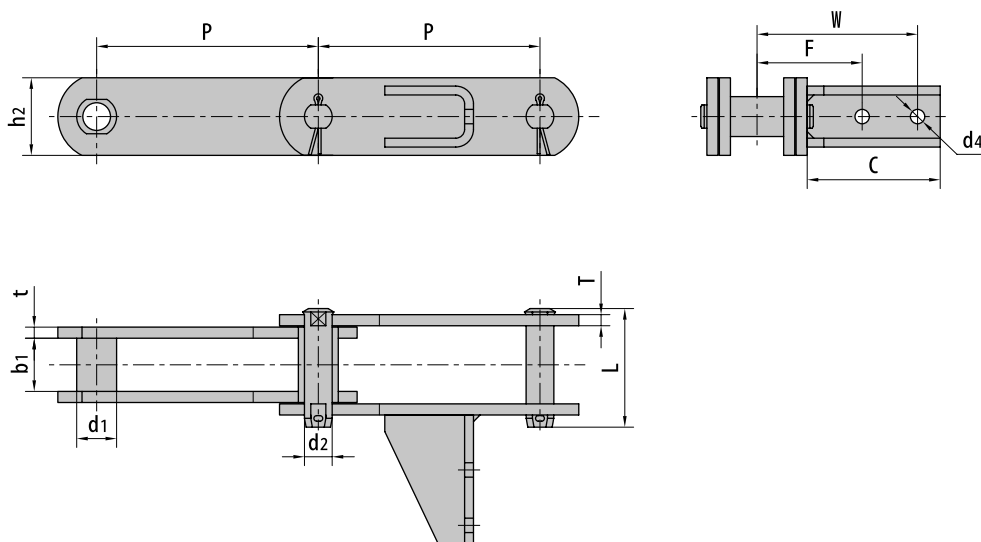


SCRAPER CHAINS

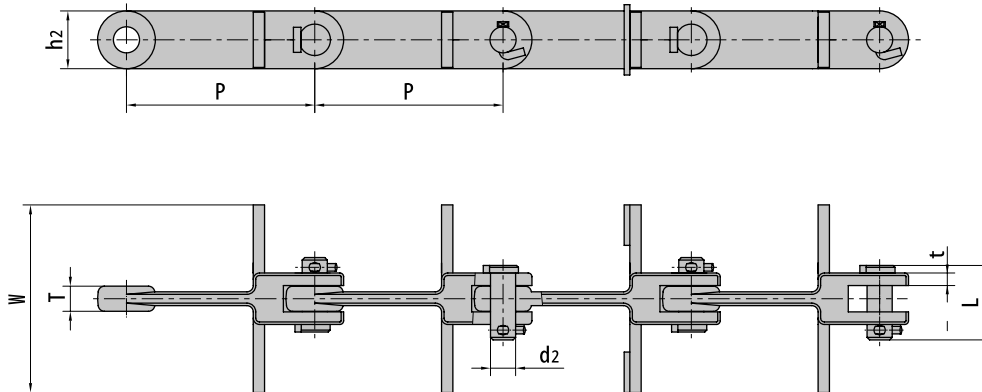
REFERENCE	PITCH	WIDTH BETWEEN INNER PLATES	ROLLER DIAMETER	PIN DIAMETER	PIN LENGTH	INNER PLATE DEPTH	PLATE THICKNESS	ATTACHMENT DIMENSION				TENSILE STRENGTH	WEIGHT PER METER
								h4	S	2X	t1		
TL-RF6205MF13	152,4	37,1	38,1	15,9	83,5	45,0	8,0	57,0	44,0	240,0	12,0	237,0/53278	14,54



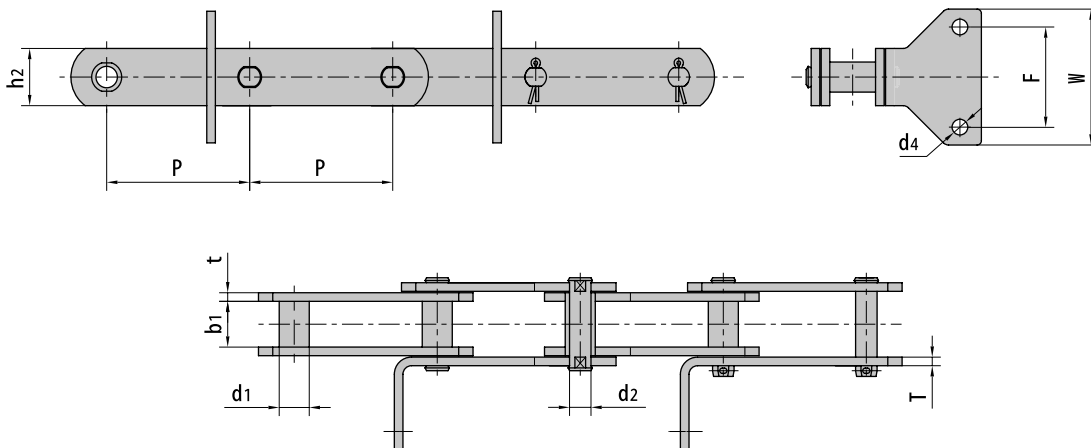
REFERENCE	PITCH	WIDTH BETWEEN INNER PLATES	ROLLER DIAMETER	PIN DIAMETER	PIN LENGTH	INNER PLATE DEPTH	PLATE THICKNESS	ATTACHMENT DIMENSION				TENSILE STRENGTH	WEIGHT PER METER
								C	F	W	d4		
TL-M315F51-B200	200,0	48,0	36,0	25,0	107,0	70,0	10,0	120,0	95,0	145,0	13,0	450/102273	21,94



REFERENCE	PITCH	PIN DIAMETER	PLATE DEPTH	PIN LENGTH	PLATE THICKNESS	ATTACHMENT DIMENSION	TENSILE STRENGTH	WEIGHT PER METER
	P mm	d2 max mm	h2 mm	L mm	i/T mm	W mm	Q kN/lbf	q Kg/m
TL-MCL267-150-T	150,0	20,0	46,0	59,3	20/10	220,0	267/60000	11,4



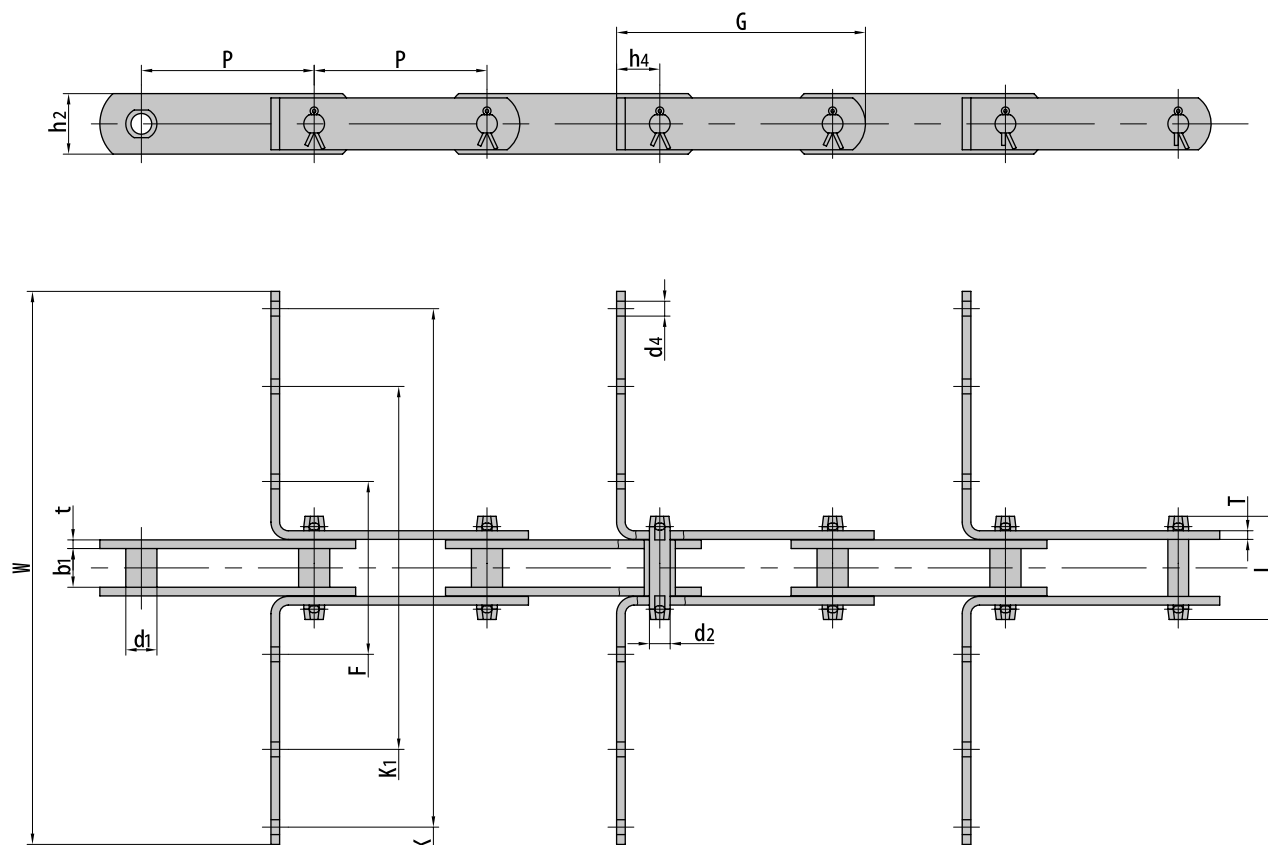
REFERENCE	PITCH	WIDTH BETWEEN PLATES	BUSH DIAMETER	PIN DIAMETER	PLATE DEPTH	PLATE THICKNESS	ATTACHMENT DIMENSION			WEIGHT PER METER	PLATE THICKNESS
							F mm	W mm	d4 mm		
	P mm	b1 mm	d1 mm	d2 mm	h2 mm	T mm	F mm	W mm	d4 mm	Q kN/lbf	q Kg/m
TL-MR112F21-B-100	100,0	32,0	21,0	15,0	40,0	6,0	70	90	11	95,2/21413	7,45



SCRAPER CHAINS

REFERENCE	PITCH	BUSH DIAMETER	WIDTH BETWEEN PLATES	PIN DIAMETER	PIN LENGTH	TENSILE STRENGTH	AVERAGE TENSILE STRENGTH	WEIGHT PER METER
	P mm	d1 max mm	b1 min mm	d2 max mm	L max mm	Q min kN/lbf	Qo kN	q Kg/m
TL-PR100F8	100,00	18,00	22,00	12,00	64,00	98,00/22030	107,80	6,10
TL-PR100F5	100,00	18,00	22,00	12,00	62,00	98,00/22030	107,80	5,70
TL-PR100F3	100,00	18,00	22,00	12,00	60,00	98,00/22030	107,80	5,20
TL-PR100F9	100,00	18,00	22,00	12,00	64,00	98,00/22030	107,80	6,70
TL-PR100F6	100,00	18,00	22,00	12,00	62,00	98,00/22030	107,80	6,30
TL-PR100F4	100,00	18,00	22,00	12,00	60,00	98,00/22030	107,80	5,70

REFERENCE	G	F	W	K1	K	h4	h2	d4	t/T
	mm	mm	mm	mm	mm	mm	mm	mm	mm
TL-PR100F8	144,00	100,00	230,00		210,00	25,00	35,00	10,30	6,00
TL-PR100F5	144,00	100,00	230,00		210,00	25,00	35,00	10,30	5,00/6,00
TL-PR100F3	144,00	100,00	230,00		210,00	25,00	35,00	10,30	5,00
TL-PR100F9	144,00	100,00	320,00	210,00	300,00	25,00	35,00	10,30	6,00
TL-PR100F6	144,00	100,00	320,00	210,00	300,00	25,00	35,00	10,30	5,00/6,00
TL-PR100F4	144,00	100,00	320,00	210,00	300,00	25,00	35,00	10,30	5,00



DROP FORGED SCRAPER CHAINS

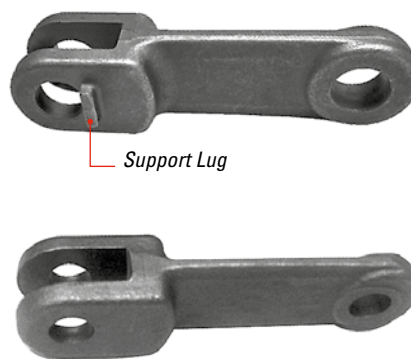
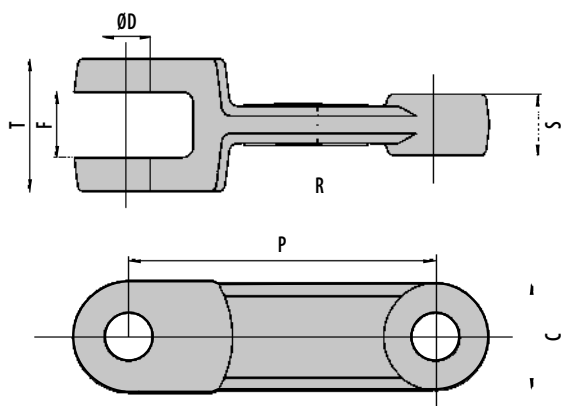
Used mainly for the conveyance of different products either dusty or heavy bulk, as clinker, coal, cement, ashes, gravels, waste, grains and many others.

We offer two types of links, either single or double with a wing where to fix a choice of attachments according the specific application

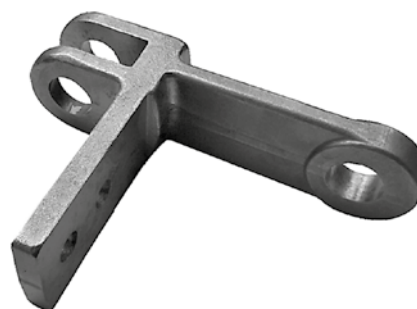
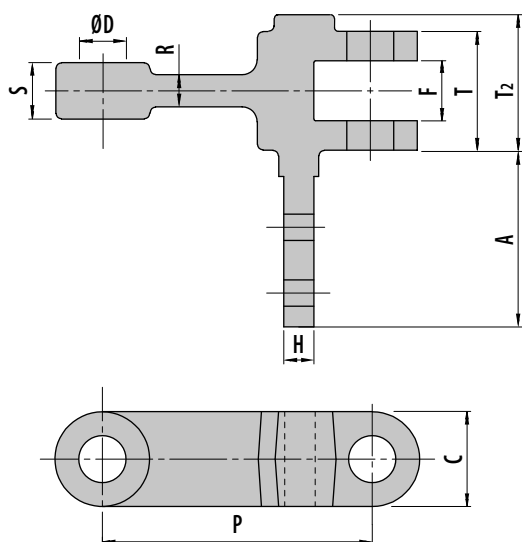
as scrapers, buckets and others as well as non standard, under MTO according customer's application.

A version for double strand assembly is available by means of a clevis wing where to mount a scraper secured by a pair of bolt and nuts.

*CHAIN NO.	DIMENSIONS MM							TENSILE STRENGTH
	P	T	C	S	F	R	D	
TL-10160	101,60	32	36	13	15	8	14,00	186
TL- 14218	142,00	42	50	19	20	11	25,00	300
TL- 14226	142,00	62	50	28	30	15	25,00	420
TL- 14225	142,00	56	50	25	27	17	25,00	350
TL- 15014	150,00	32	34	15	17	8	16,00	264
TL- 20023	200,00	60	50	25	27	18	25,00	364
TL- 22838	228,00	103	85	40	43	30	31,70	700
TL- 26036	260,00	90	80	38	42	20	40,00	600



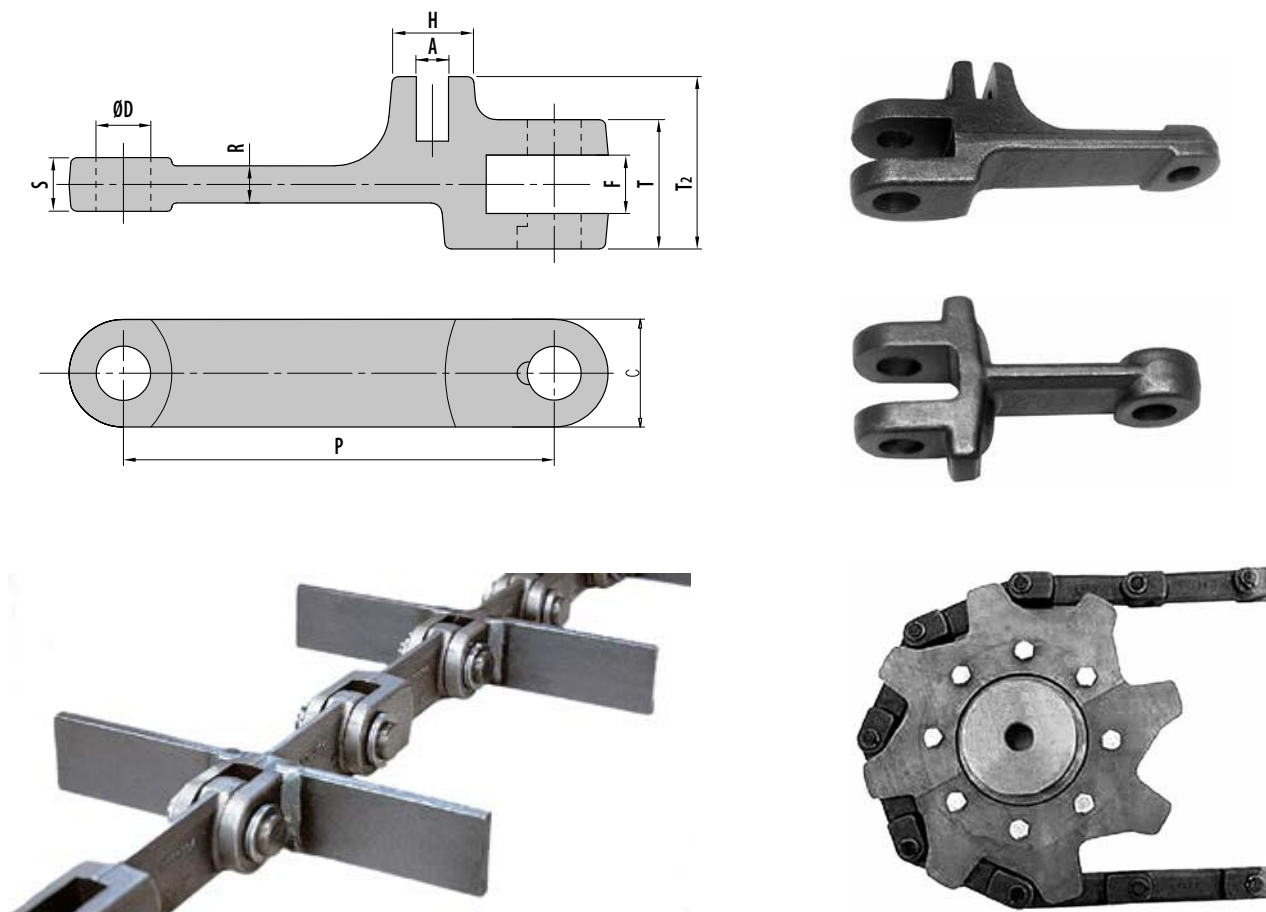
*CHAIN NO.	DIMENSIONS MM										TENSILE STRENGTH
	P	T	C	S	F	R	T2	A	D	H	
TL- 142-1	142	63	50	30	32	17	72	94,00	25	13	420
TL- 142-2	142	43	50	19	21	13		95,00	25	12	300
TL- 142-3	142	61	50	30	31	16	76	97,50	25	15	420
TL- 142-4	142	62	50	28	30	15	77	86,50	25	18	420



* Other sizes available. Consult to our Commercial Department.

DROP FORGED SCRAPER CHAINS

CHAIN NO.	DIMENSIONS MM										TENSILE STRENGTH
	P	T	C	S	F	R	T2	A	D	H	kN
TL-20060	200	60	50	25	27	17	80	12,00	25,4	37,5	500

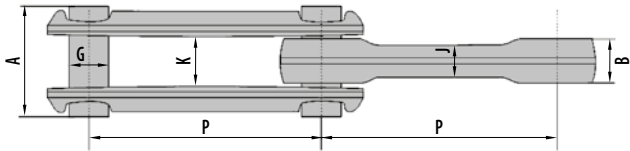


DROP FORGED RIVETLESS SCRAPER CHAINS

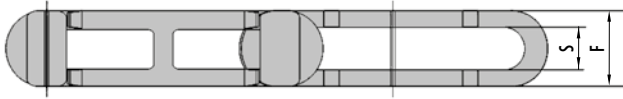
Of a very simple and robust construction, it makes a very interesting choice for overhead trolleys, scrapers and conveyors. Two series are available, the standard and the X series, being the latter bi-directional

in the sense that it flexes in two planes. Made under the standard ANSI/ASME B29.22-2001 covering Drop Forged Rivetless Chains, Sprocket Teeth Drive Chain / Drive Dogs.

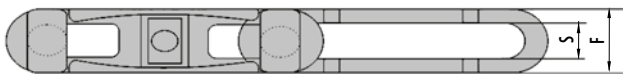
CHAIN NO.	PITCH	DIMENSIONS MM							STD. LENGTH NO OF PITCHES	TENSILE STRENGTH
		A	F	G	J	K	S	B		
TL-X348	76,60	46	28,00	12,70	13,20	18,80	13,50	18,80	40	110
TL-X458	102,40	57	37,00	16,00	16,00	25,00	17,50	25,00	30	220
TL-X678	153,20	77	51,00	22,00	21,00	32,20	25,50	32,00	20	323
TL-468	102,40	84	47,80	19,00	29,50	43,20	22,20	41,30	30	311
TL-H698	153,20	95	70,00	28,00	25,40	38,00	33,00	38,00	20	515
TL-9118	228,60	125	75,00	35,00	33,50	52,00	37,20	50,00	13	832
TL-XT100	100,00	57	37,00	16,00	16,00	25,00	17,50	25,00	30	210
TL-XT160	160,00	78	54,00	24,00	20,50	34,00	28,00	34,50	20	400
TL-F80	80,00	46	29,00	12,70	13,20	18,80	13,50	18,80	40	110



H-type



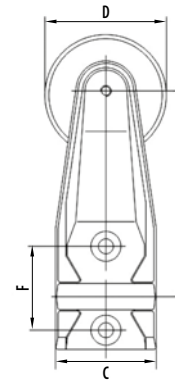
X-type



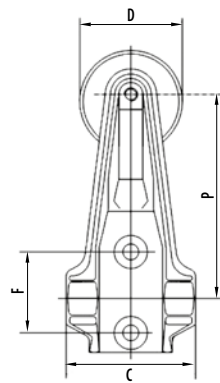
TROLLEY

TROLLEY NO.	DIMENSIONS MM									
	P	H	A	B	C	D	E	F	G	K
TL-X348-1	100	64	102	14	40	60	101,6	48	6	82
TL-X348-2	100	64	122	16	40	60	152,4	48	6	93
TL-X458-1	127	80	130	18	56	82	101,6	54	10	104
TL-X458-2	130	83	138	18	54	82	101,6	54	10	110
TL-X458-3	128,5	81	145	18	54	82	101,6	54	10	113
TL-X458-4	150	103	134	18	54	82	101,6	54	10	110

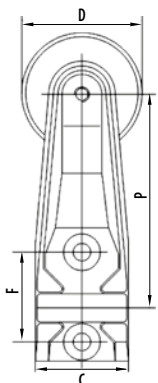
TROLLEY NO.	DIMENSIONS MM									
	P	H	A	B	C	D	E	F	G	K
TL-X678-1	136	89	146	18	86	82	101,6	54	10	114
TL-X678-2	135	85	145	18	86	82	101,6	54	10	114
TL-X160-1	171	103	176	26	84	120	152,4	70	16	140



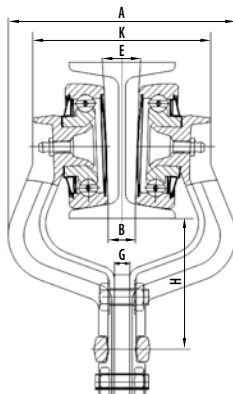
X-348/458



X-678



X-160

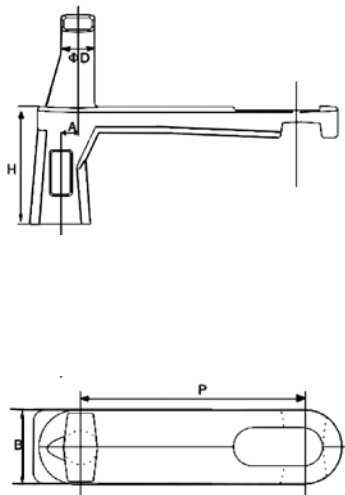


PUSHER DOG

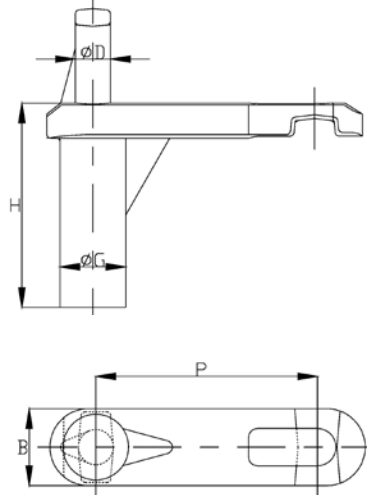
PUSHER DOG FOR CHAIN NO.	DIMENSIONS MM				
	P	H	B	D	F
TL-348A	76,60	63,50	27	12,70	
TL-348C	76,60	60,00	27	12,70	78
TL-458A	102,40	55,00	35	16,00	
TL-458B	102,40	69,00	35	16,00	90
TL-458C	102,40	130,00	35	16,00	30
TL-678A	153,20	62,00	51	22,00	
TL-678B	153,20	62,00	51	22,00	98



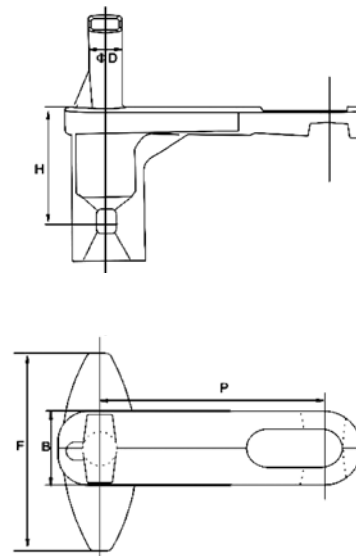
A Type



B Type



C Type



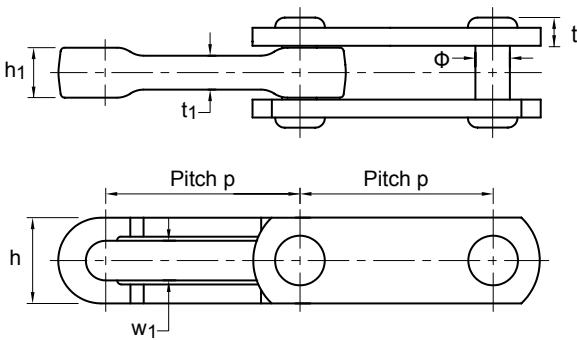
BARLOOP CHAINS

Consist of a casting or forged link and fabricated plates with heat treated pins.

Rivetless press-fit pins with cotter pins or alternatively pins with bolt and nuts.

REFERENCE*	PITCH	SIDE PLATE THICKNESS	SIDE PLATE HEIGHT	PIN DIAMETER	INSIDE WIDTH	LINK THICKNESS	HEAD THICK	WORKING LOAD MAX	ULTIMATE STRENGTH
	p	t	h	Φ	w ₁	t ₁	h _t	Kg	Kg
TL-S348	3,031	0,25	1,11	0,50	0,53	0,50	0,74	1100	10000
TL-S458	4,031	0,38	1,38	0,63	0,69	0,63	1,00	2150	20000
TL-S468	4,031	0,38	1,88	0,75	0,88	0,80	1,19	3150	30000
TL-S678	6,000	0,50	2,00	0,88	1,00	0,90	1,31	3300	32000
TL-S698	6,031	0,50	2,69	1,13	1,25	1,00	1,56	5900	61500
TL-S998	9,031	0,50	2,69	1,13	1,25	1,00	1,56	5900	61500

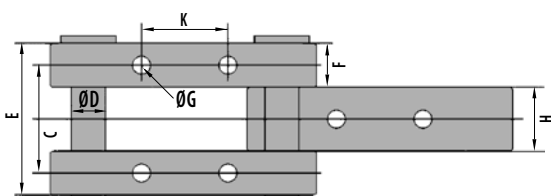
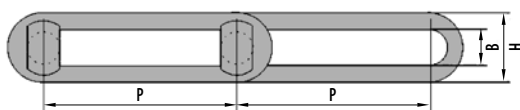
* All measures in inches unless otherwise mentioned.



SUGAR INDUSTRY CHAINS

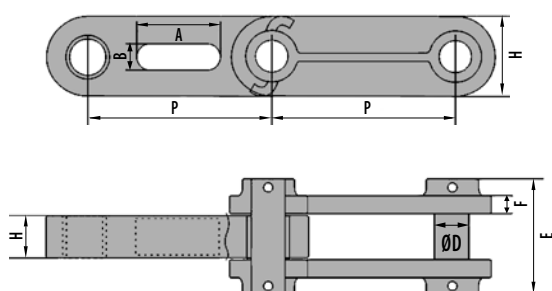
Main Cane & Auxiliar Carrier Chains

CHAIN NO.	DIMENSIONS MM								TENSILE STRENGTH kN
	P	D	E	F	W	G	H	B	
TL-P6	152,4	38	151	38	52	17	80	40	1120
TL-P6-2	152,4	30	160	44	46	13	56	30,3	900
TL-GPB152.4	152,4	30	153	38	50	16	63	31,5	900
TL-KNJT152.4	152,4	39	158	38	50,8	17	72	40	1187
TL-P9	228,6	38	206	50	76	19,8	80	40	1150
TL-P9BP	228,6	38	159	38	50,8	17	80	40	1100



Diffuser chains

CHAIN NO.	DIMENSIONS MM								TENSILE STRENGTH kN
	P	D	E	F	W	H	A	B	
TL-P250	250	58	181	25	60	110	111	60	1700
TL-P300	300	60	185	35	50	110	300	34	1900



CASTING CHAINS

Intended primarily for the gas bottling industry, and specifically for LPG, (Liquified Petroleum Gas) is made out of ductile casting with steel pins, which can be fixed or detachable, improving the mounting and dismounting. These chains are very flexible making them very versatile to apply in different handling applications other than handling gas bottles. They may be called LPG chains.

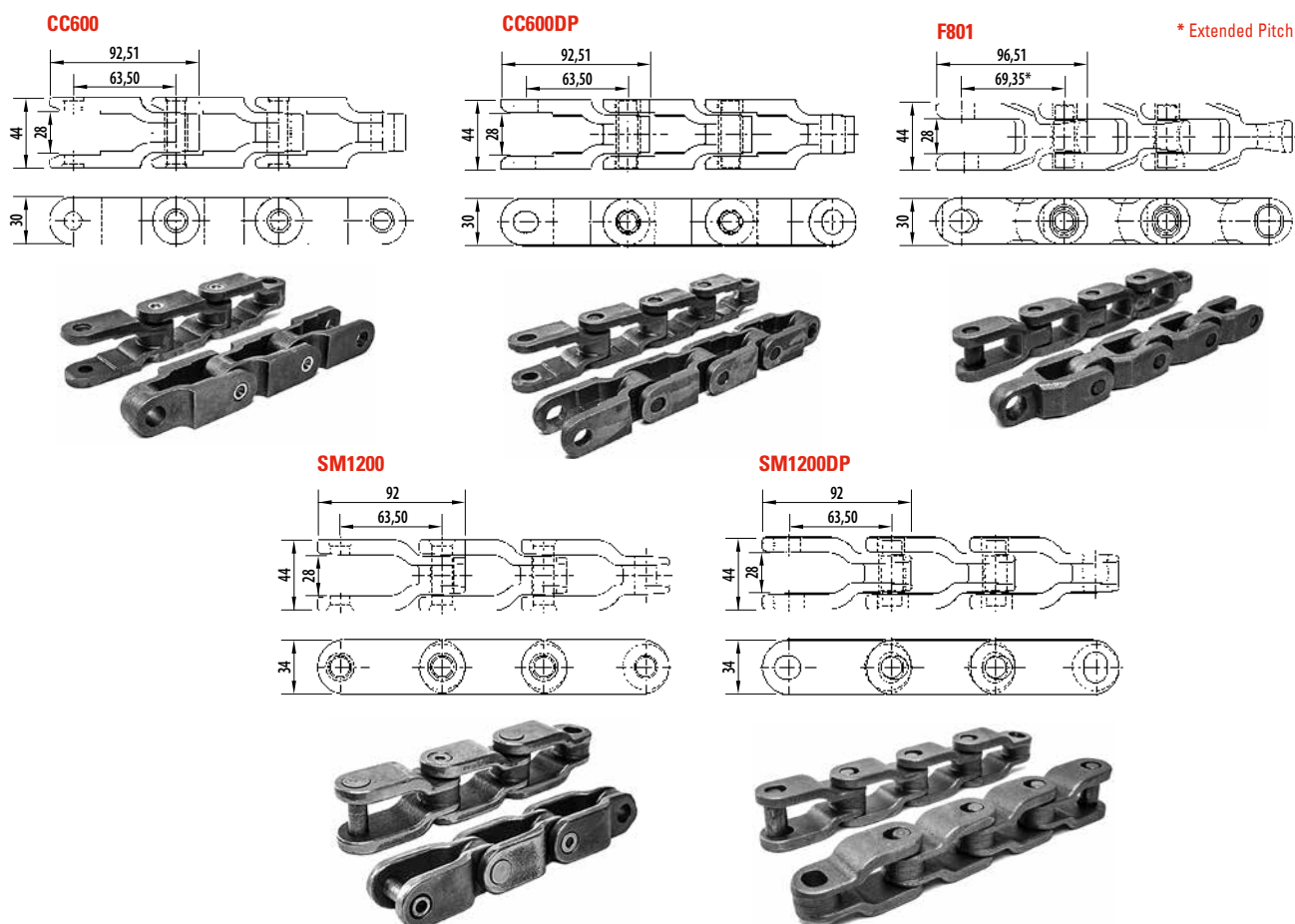
Our program of casting chains, with the matching sprockets, covers

fixed and detachable pins with a choice of different pitches.

The main treats of significance is the wide top and bottom surface, pin flush ends and easy pin changing.

In explosive environments it is recommended to use Polyethylene of Ultra high molecular weight as low friction liners, increasing the safety, decreasing the noise and increasing the chain wear life.

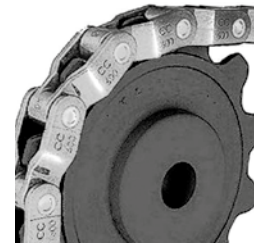
Here is our program:



REFERENCE*	PITCH	MOUTH OUTER WIDTH	MOUTH INNER WIDTH	HEIGHT	SIDE BEND	ULTIMATE STRENGTH	WEIGHT
					radii	Kgf	Kg/m
TL-CC600	63,50	44	28	30	< 600	> 6000	5,00
TL-CC600DP	63,50	44	28	30	< 600	> 6000	5,00
TL-F801	69,35*	44	28	30	< 600	6300	6,10
TL-SM1200	63,50	44	28	34	< 600	7500	6,00
TL-SM1200DP	63,50	44	28	34	< 600	> 7500	6,00

* All measures in mm unless otherwise indicated

See the matching sprockets in page I158.



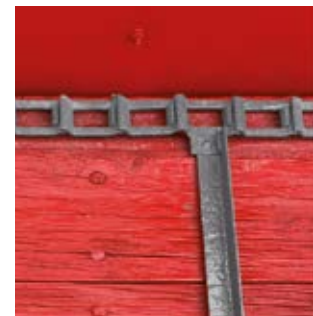
Sprocket with casting chain CC600

STEEL DETACHABLE CHAINS

Widely used in agricultural and industrial applications with moderate loads and speeds. Very easy to install and repair as well, an easy assembling and disassembling.

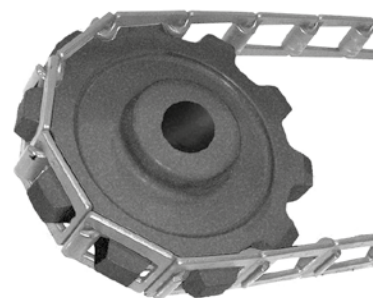
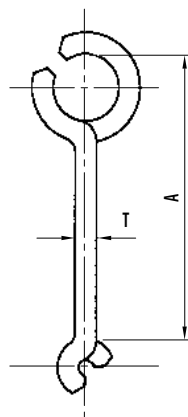
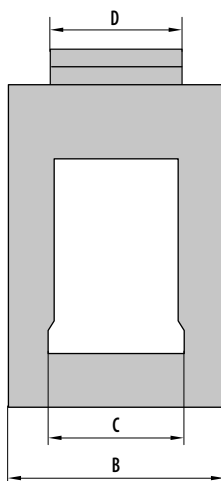
We have a selection of attachments for different applications: The chain can be delivered in lengths according customer's configuration or in single links.

CHAIN SIZE	DIMENSION INCH					TENSILE STRENGTH LBS
	A	B	C	D	T	
TL-DCH-25	0,904	0,703	0,438	0,422	0,073	950
TL-DCH-32	1,570	0,938	0,610	0,594	0,090	1650
TL-DCH-42	1,375	1,219	0,800	0,781	0,105	2300
TL-DCH-52	1,508	1,406	0,760	0,840	0,125	2700
TL-DCH-55	1,630	1,281	0,813	0,796	0,125	2800
TL-DCH-62	1,654	1,563	1,002	0,984	0,148	4200
TL-DCH-70	2,013	1,938	1,110	1,093	0,172	4800
TL-DCH-72	2,025	1,938	1,110	1,093	0,172	4800



Manure Spreader with Detachable chains and pushing bars

See the driving sprocket in pages I159 to I161.



WELDED CHAINS

Of simple and sturdy construction this range of chains are used to convey and drag a wide variety of materials amongst but not limited to, logs, elevators, chips, plywood and scraps in general.

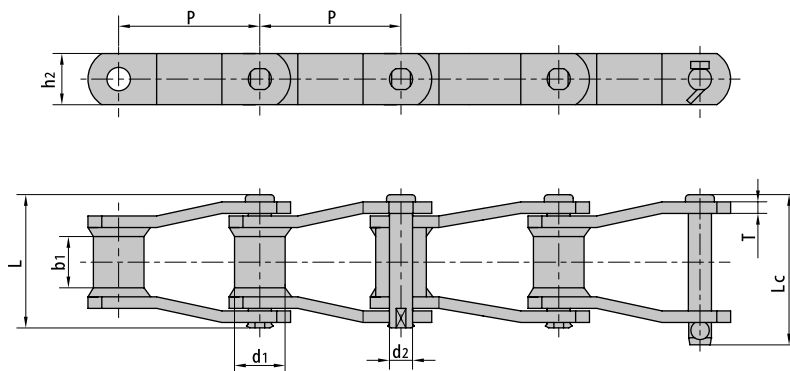
Our program has two series, the narrow and the wide series.

The construction of the narrow series consists of two offset plates, a bush welded all around with the plate and a heavy press fit pin. The models WR have the pins and bushes heat treated while the models WH are heat treated in all its components, that is, side plates, bush and pins.

An ample choice of convenient attachments makes this range very adaptable to the customer's applications in different activities as forest, bulk product handling, clinker dragging, sugar and fertilizer plants and others.

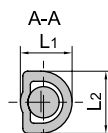
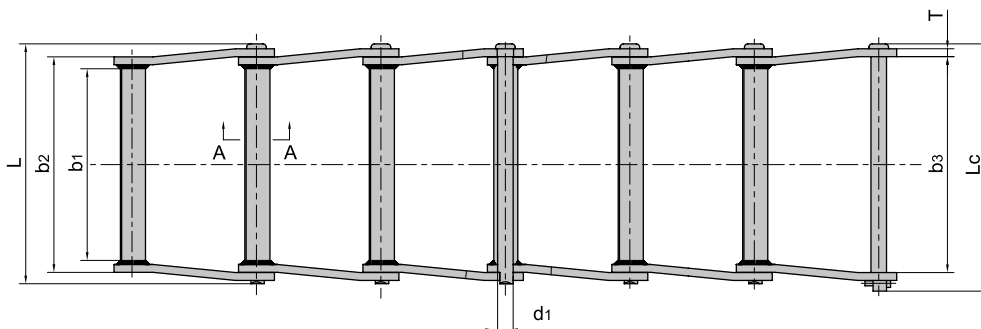
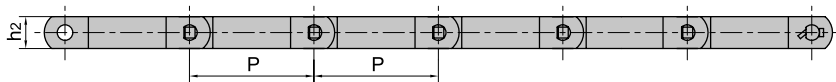
The wide series, WD have all parts heat treated for high wear resistance and thus increase the durability, the pins are riveted as standard and as an option permits reverse barrels. By turning the chain upside down the chain, given the simetric design. Its life may be longer.

REFERENCE	PITCH	BUSH DIAMETER	WIDTH BETWEEN INNER PLATES	PIN DIAMETER		PIN LENGTH		PLATE DEPTH	PLATE THICKNESS	TENSILE STRENGTH	AVERAGE TENSILE STRENGTH	WEIGHT PER METER
				d1 max mm	b1 min mm	d2 max mm	L max mm					
TL-WR78	66,27	22,90	28,40	12,78	73,0	79,3	28,40	6,4	93,4/21227	102,70	6,20	
TL-WH78	66,27	22,90	28,40	12,78	73,0	79,3	28,40	6,4	106,8/24273	117,50	6,20	
TL-WR82	78,10	31,50	31,80	14,35	80,0	86,0	31,80	6,4	100,1/22750	110,10	7,98	
TL-WH82	78,10	31,50	31,80	14,35	80,0	86,0	31,80	6,4	131,2/29818	144,30	7,98	
TL-WR106	152,40	37,10	41,20	19,13	103,0	111,0	38,10	9,7	169,0/38409	185,90	10,56	
TL-WH106	152,40	37,10	41,20	19,13	103,0	111,0	38,10	9,7	224,6/51045	247,00	10,56	
TL-WR110	152,40	32,00	46,70	19,13	107,7	115,5	38,10	9,7	169,0/38409	185,90	10,40	
TL-WH110	152,40	32,00	46,70	19,13	107,7	115,5	38,10	9,7	224,6/51045	247,00	10,40	
TL-WR111	120,90	37,10	57,20	19,13	116,8	124,5	38,10	9,7	169,0/38409	185,90	12,72	
TL-WH111	120,90	37,10	57,20	19,13	116,8	124,5	38,10	9,7	224,6/51045	247,00	12,72	
TL-WR124	101,60	37,10	41,20	19,13	103,0	110,0	38,10	9,7	169,0/38409	185,90	12,38	
TL-WH124	101,60	37,10	41,20	19,13	103,0	110,0	38,10	9,7	224,6/51045	247,00	12,38	
TL-WR124H	103,20	41,70	41,20	22,30	131,6	133,0	50,80	12,7	275,8/62682	303,30	19,68	
TL-WH124H	103,20	41,70	41,20	22,30	131,6	133,0	50,80	12,7	355,9/80886	391,40	19,68	
TL-WR132	153,67	44,70	76,20	25,48	151,0	162,2	50,80	12,7	275,8/62682	303,30	20,00	
TL-WH132	153,67	44,70	76,20	25,48	151,0	162,2	50,80	12,7	378,1/85932	415,90	20,00	
TL-WR150	153,67	44,45	73,00	25,40	151,0	162,2	63,50	12,7	530,0/119144	583,00	20,50	
TL-WH150	153,67	44,45	73,00	25,40	151,0	162,2	63,50	12,7	530,0/119145	583,00	20,50	
TL-WR155	153,67	44,45	73,00	28,57	164,0	176,0	63,50	12,7	820,0/186361	902,00	20,70	
TL-WH155	153,67	44,45	73,00	28,57	164,0	176,0	63,50	12,7	820,0/186361	902,00	20,70	
TL-WR157	153,67	44,45	76,20	28,57	164,0	176,0	63,50	15,9	820,0/186361	902,00	20,80	
TL-WH157	153,67	44,45	76,20	28,57	164,0	176,0	63,50	15,9	820,0/186361	902,00	20,80	
TL-WR78F5	66,27	21,30	20,00	12,70	62,99	66,1	25,40	6,4	66,7/14994	73,37	5,00	
TL-WH78F4	66,27	22,90	22,23	12,78	66,4	72,3	28,40	6,4	106,8/24009	117,48	5,94	
TL-WH124F1	101,60	31,75	38,10	19,05	101,5	109,5	38,10	9,5	253,0/56876	278,00	11,40	
TL-WH111F1	120,90	36,50	57,20	19,05	120,6	120,6	38,10	9,5	272,0/61148	299,20	12,63	



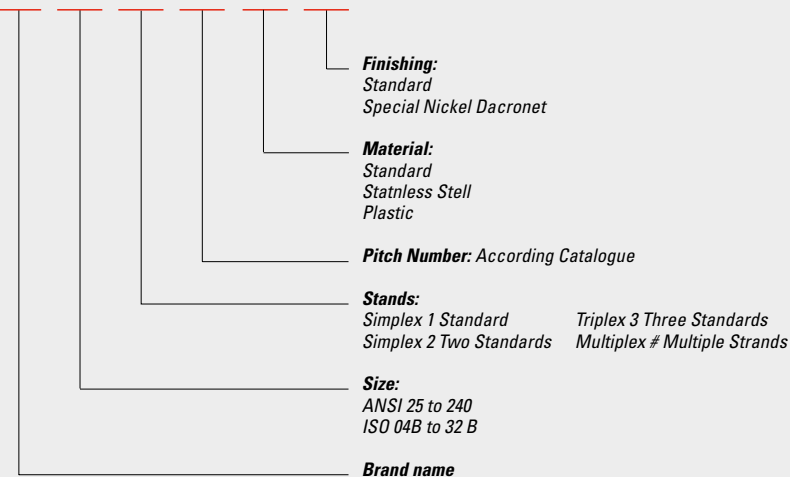
ISO REFERENCE	PITCH	BUSH A-A SECTION LENGTH	BUSH A-A SECTION HEIGHT	WIDTH BETWEEN NARROW LINKED	PIN DIAMETER END	WIDTH OVER NARROW LINKED	WIDTH BETWEEN BROAD LINKED	PLATE DEPTH
Chain No.	P mm	L1 mm	L2 mm	b1 min mm	d1 max mm	b2 max mm	b3 min mm	h2 max mm
TL-WD102	127,00	31,70	39,10	162,00	19,13	197,10	197,60	38,12
TL-WD104	152,40	31,70	39,10	104,60	19,13	136,90	137,40	38,12
TL-WD110	152,40	31,70	39,10	228,60	19,13	263,90	264,40	38,12
TL-WD112	203,20	31,70	39,10	228,60	19,13	263,90	264,40	38,12
TL-WD113	152,40	33,20	39,10	228,60	22,30	270,20	270,70	38,12
TL-WD116	203,20	36,60	45,20	330,20	19,13	359,10	359,60	45,21
TL-WD118	203,20	44,50	51,80	336,50	22,30	378,20	378,70	51,80
TL-WD122	203,20	44,50	51,80	222,20	22,30	260,60	261,10	51,80
TL-WD480	203,20	44,50	51,80	282,40	22,30	324,10	324,60	51,80

ISO REFERENCE	PIN LENGTH		PLATE THICKNESS	TENSILE STRENGTH	
Chain No.	L max mm	Lc max mm	T mm	Q min kN/lbf Only pin hardened	Q min kN/lbf All parts hardened
TL-WD102	255,60	245,40	9,70	170 / 38217	245 / 55078
TL-WD104	188,00	181,40	9,70	170 / 38217	245 / 55078
TL-WD110	315,00	308,60	9,70	170 / 38217	245 / 55078
TL-WD112	315,00	308,60	9,70	170 / 38217	245 / 55078
TL-WD113	330,20	322,30	12,70	213 / 47884	253 / 56876
TL-WD116	410,40	405,90	9,70	245 / 55078	262 / 58899
TL-WD118	440,00	431,10	12,70	311 / 69915	351 / 78907
TL-WD122	324,20	314,50	12,70	311 / 69915	351 / 78907
TL-WD480	387,60	378,00	12,70	311 / 69915	351 / 78907

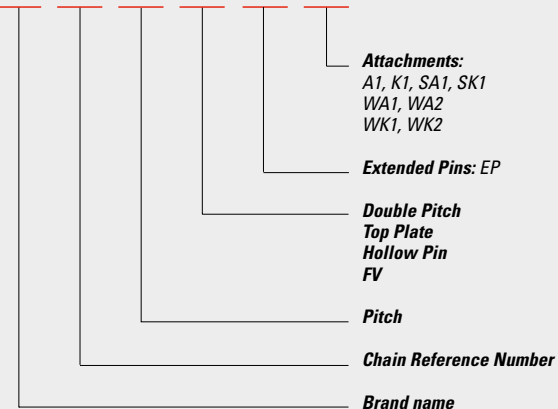


GUIDE TO ORDER

TL -



TL -



TL -

